

N50415

N50416

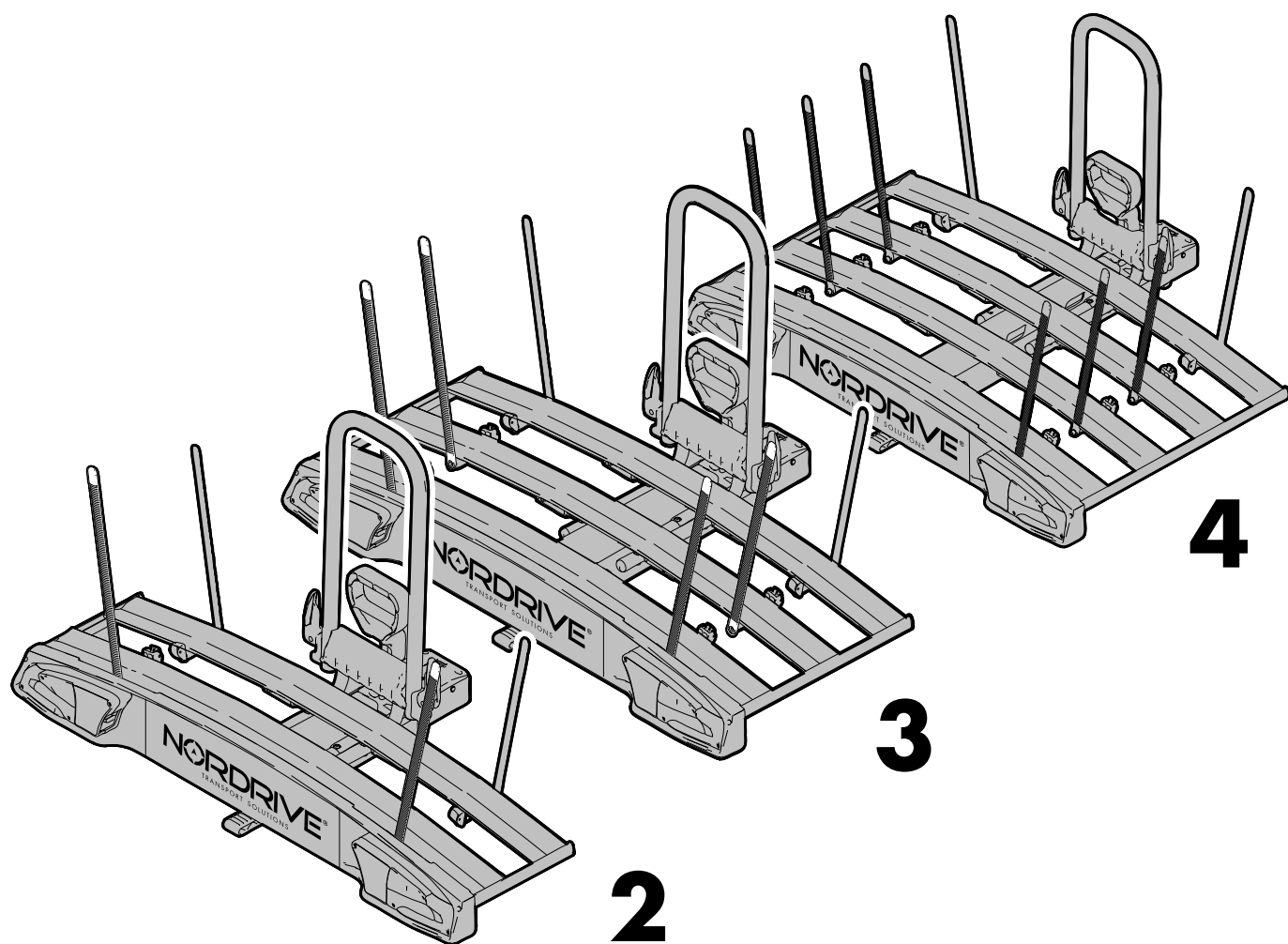
N50417

# WAVE 2 | WAVE 3 | WAVE 4

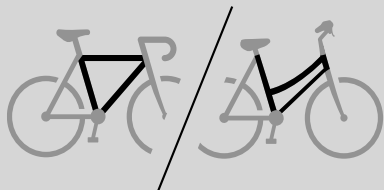
## PREMIUM CYCLE CARRIER

- ⓘ Portabiciclette per gancio traino
- EN Bicycle rack for tow bar
- F Porte-vélos sur boule attelage
- E Portabicicletas para gancho de remolque
- D Fahrradträger für die Anhängerkupplung
- NL Fietsendrager voor trekhaak
- P Porta-bicicletas para barra de reboque
- H Kerékpártartó vonóhoroghoz
- RO Suport pentru biciclete pentru bara de tractare

- ČZ Nosič jízdních kol na tažné zařízení
- SK Nosič bicyklov pre ťažné zariadenie
- PL Bagażnik rowerowy na hak holowniczy
- GR Φορέας ποδηλάτου για ράβδο ρυμούλκησης
- S Cykelhållare för dragkrok
- FIN Polkupyöräteline vetokoukkuun
- EST Jalgrattahoidik veokonksu jaoks
- LAT Velosipēda turētājs vilcējam
- LT Dviračių laikiklis vilkties trauklei



✓ Standard

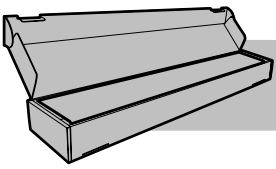


✓ E-bike



✓ Fat-bike

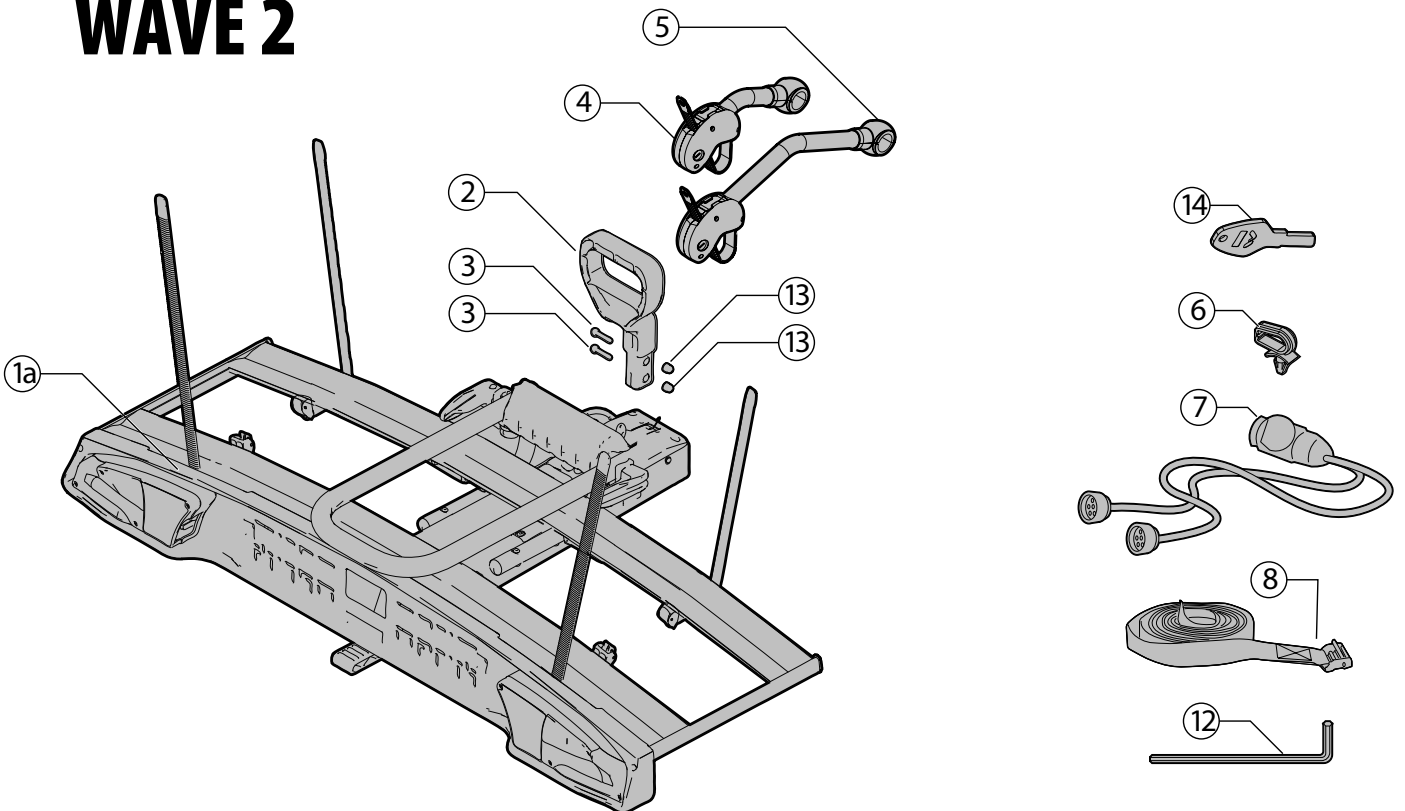


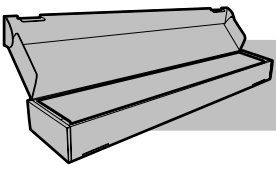


# WAVE 2 | Contenido • Content • Contenu • Inhalt • Contenido

<b>x1</b>  1a	<b>x1</b>  2	<b>x2</b>  M6x30 3	
<b>x1</b>  4	<b>x1</b>  5	<b>x6</b>  6	<b>x1</b>  7
<b>x1</b>  2,5m 8	<b>x1</b>  Ø5mm 12	<b>x2</b>  M6 13	<b>x2</b>  14

## WAVE 2

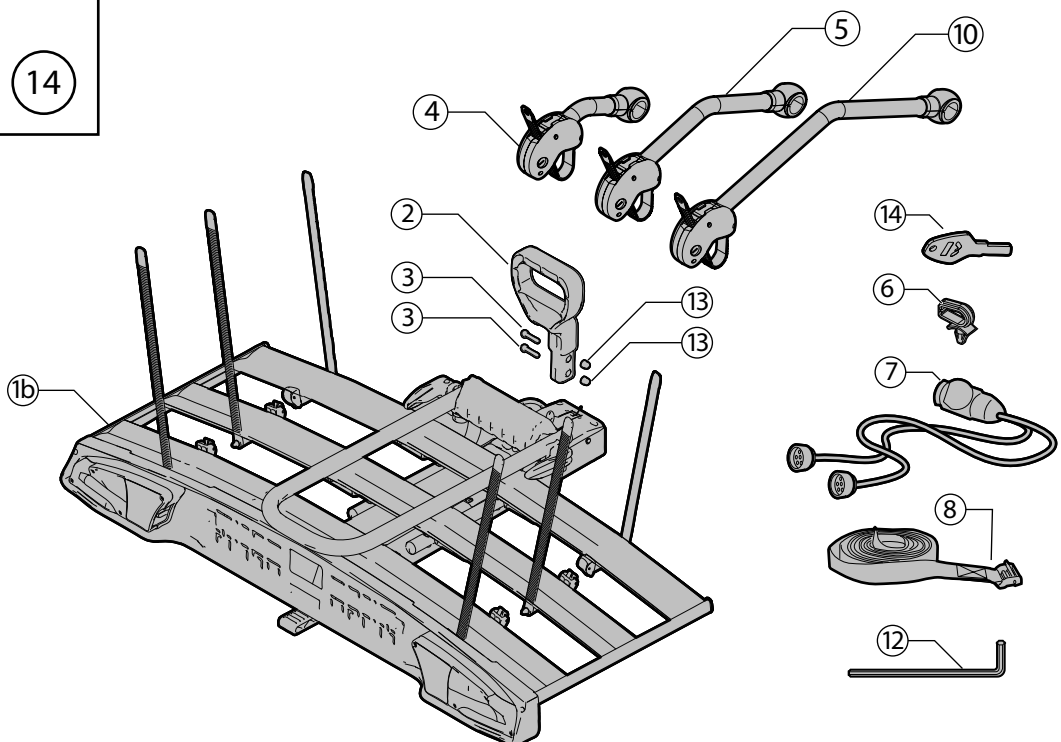


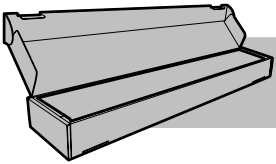


# WAVE 3 | Contenido • Content • Contenu • Inhalt • Contenido

<b>x1</b>  1b	<b>x1</b>  2	<b>x2</b>  M6x30 3	
<b>x1</b>  4	<b>x1</b>  5	<b>x1</b>  10	<b>x6</b>  6
<b>x1</b>  7	<b>x1</b>  2,5m 8	<b>x1</b>  Ø5mm 12	<b>x2</b>  M6 13
<b>x2</b>  14			

## WAVE 3

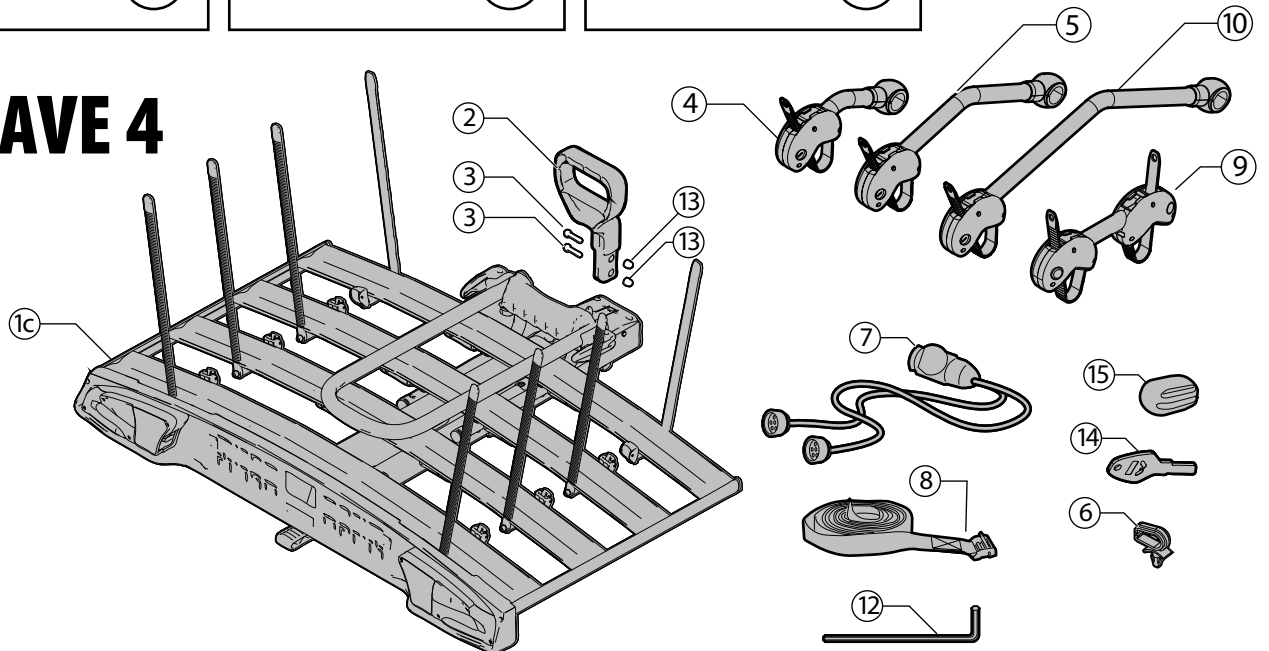




# WAVE 4 | Contenido • Content • Contenu • Inhalt • Contenido

<b>x1</b>  1c	<b>x1</b>  2	<b>x2</b>  M6x30 3	
<b>x1</b>  4	<b>x1</b>  5	<b>x1</b>  9	<b>x1</b>  10
<b>x6</b>  6	<b>x1</b>  7	<b>x3</b>  2,5m 8	<b>x1</b>  ∅5mm 12
<b>x2</b>  M6 13	<b>x2</b>  14	<b>x2</b>  15	

## WAVE 4

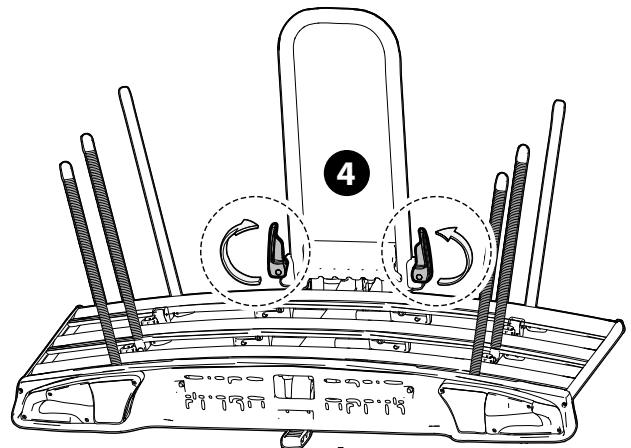
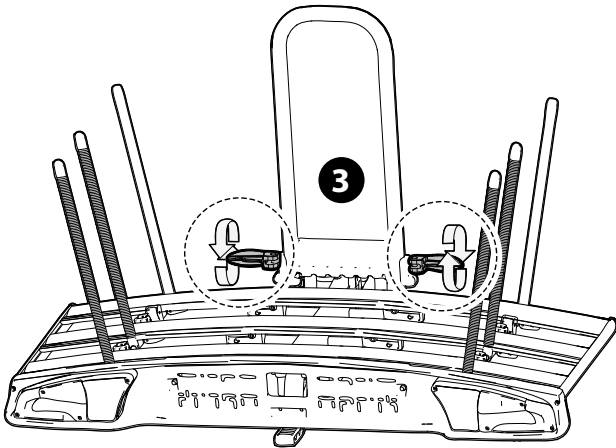
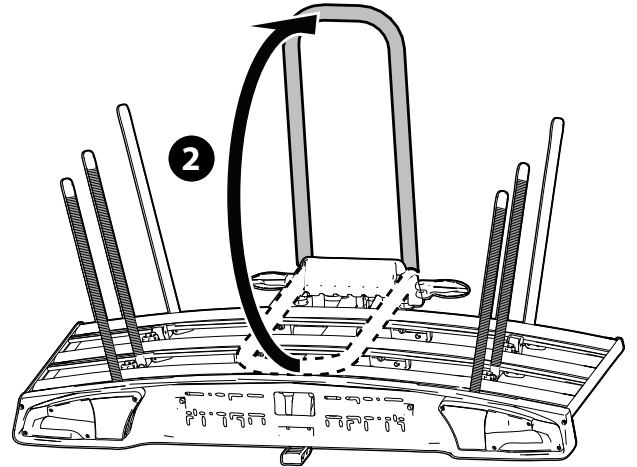
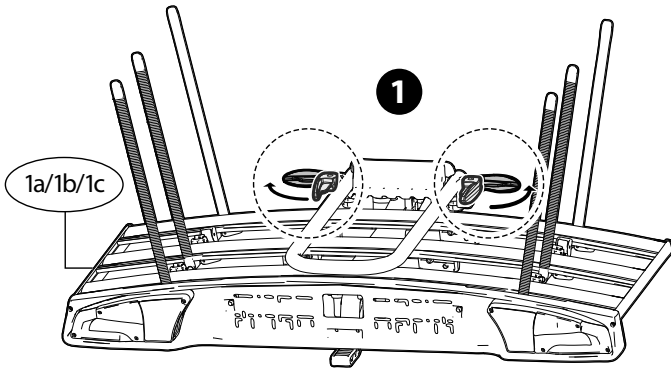




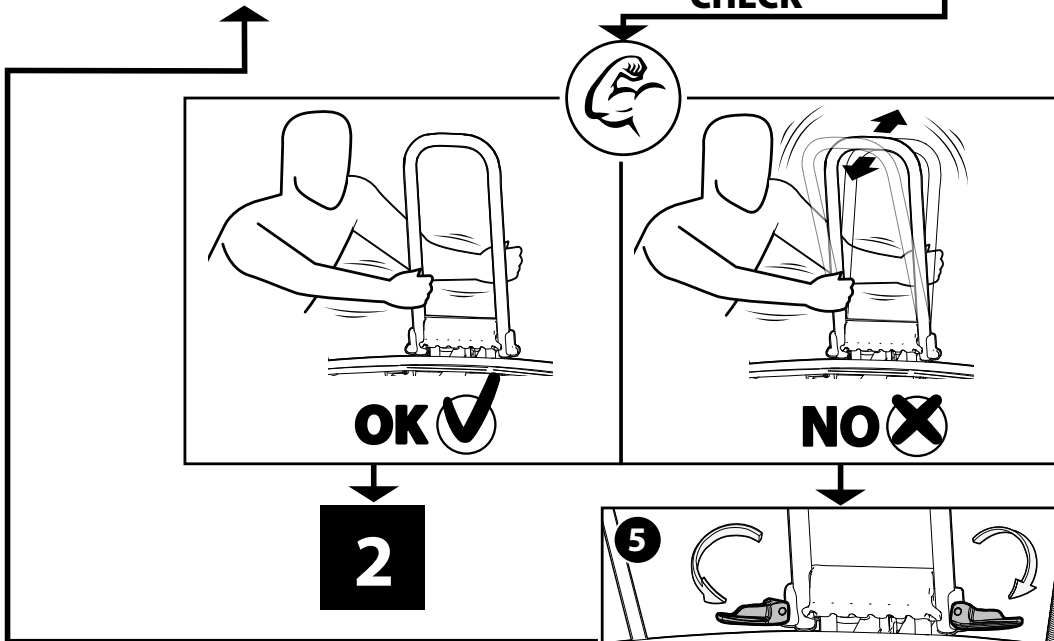


# 1 WAVE 2-3-4

N.	Q.ty
1a 1b 1c	1

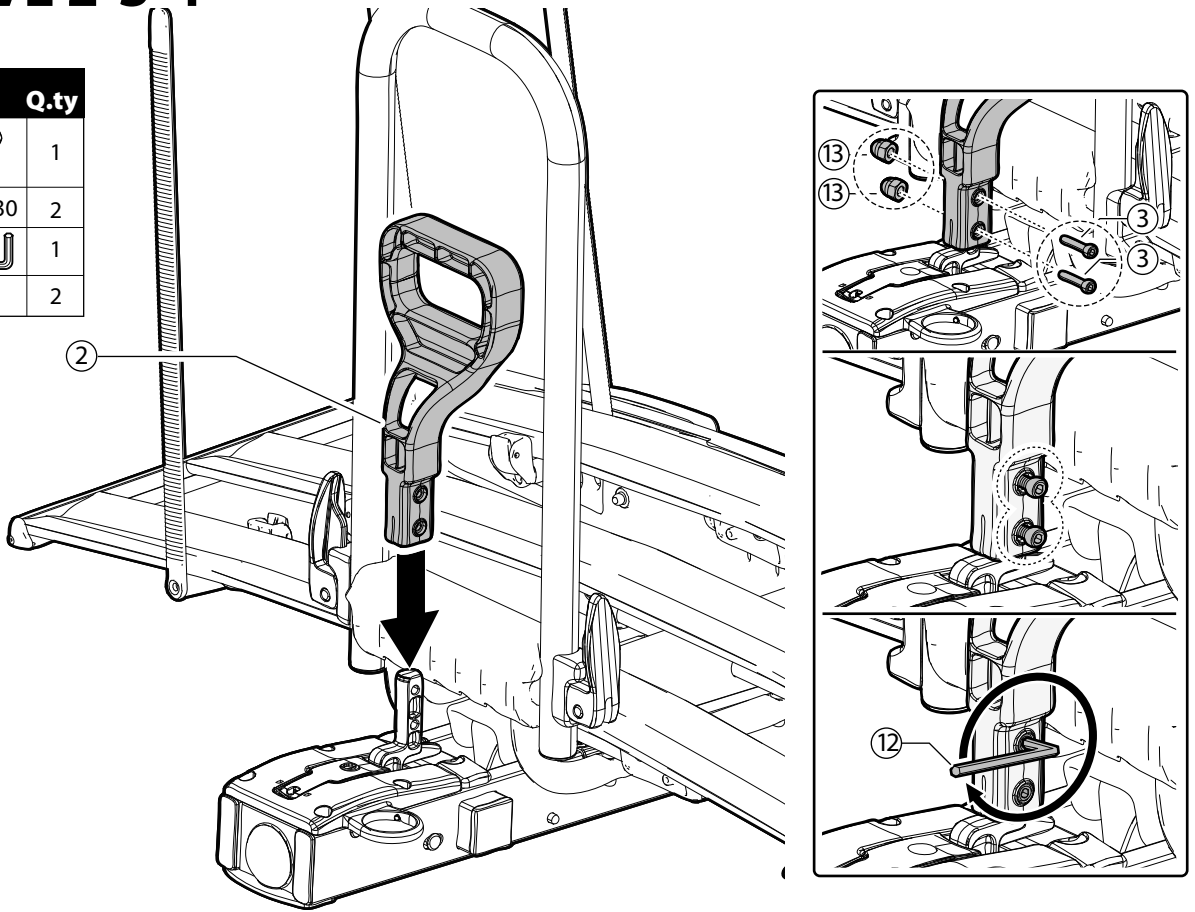


**CHECK**



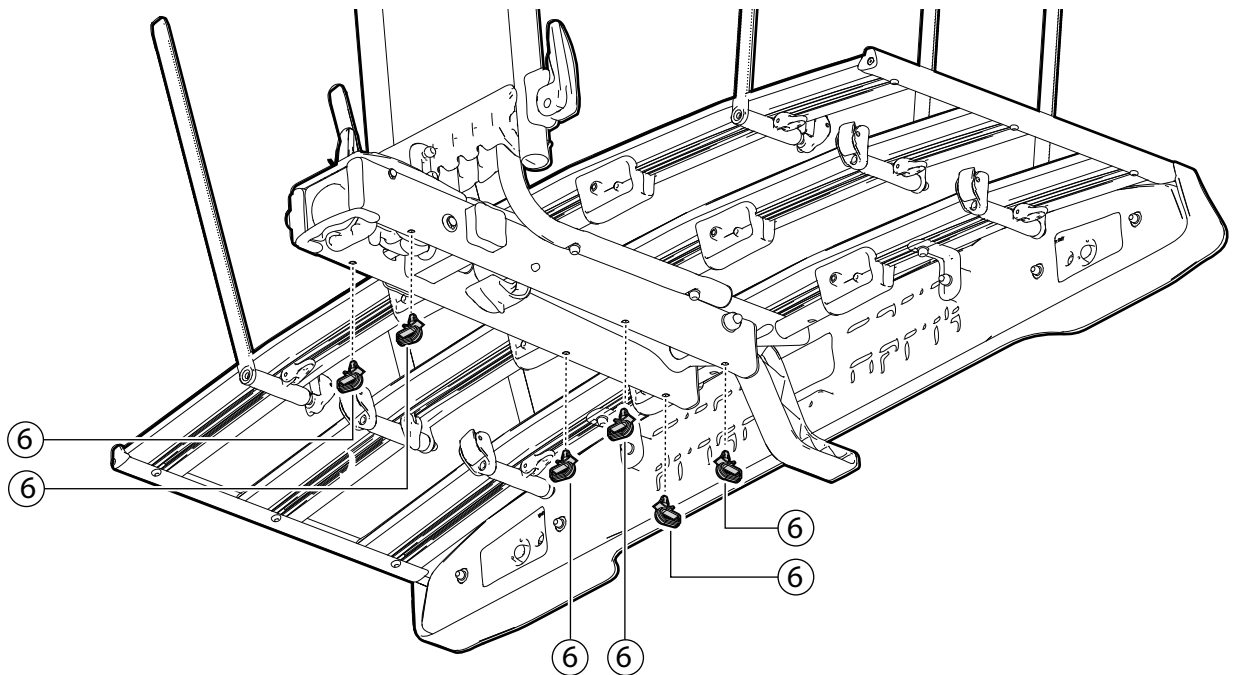
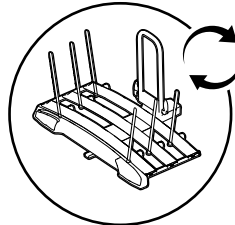
## 2 WAVE 2-3-4

N.	Q.ty
2	1
3	2
12	1
13	2



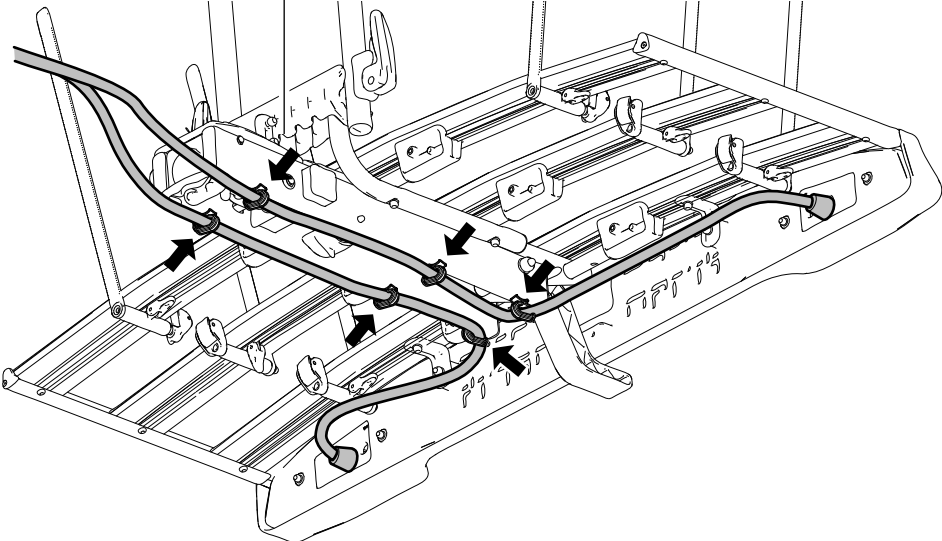
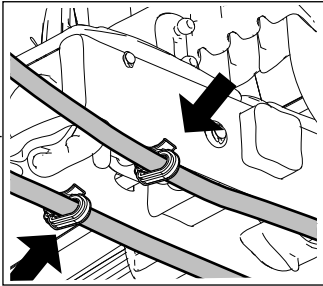
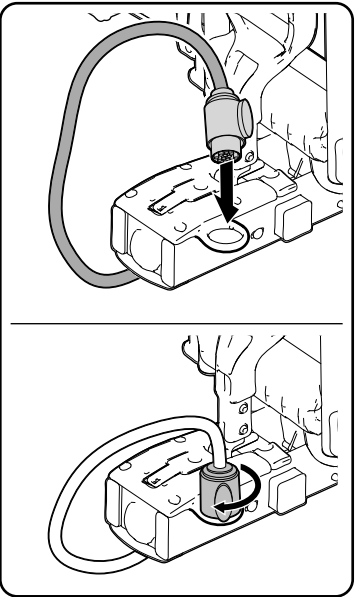
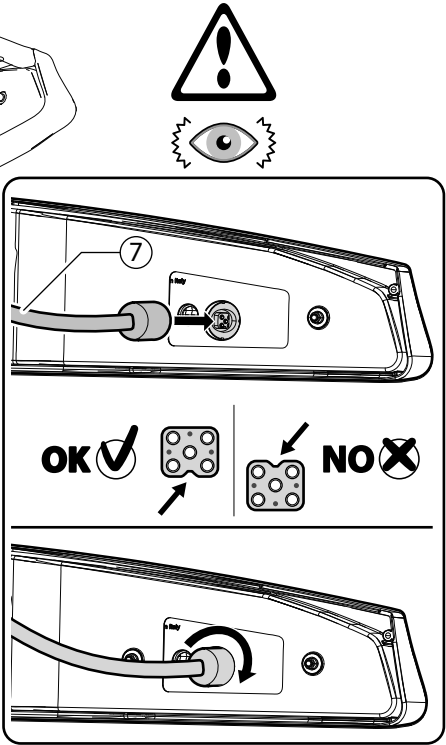
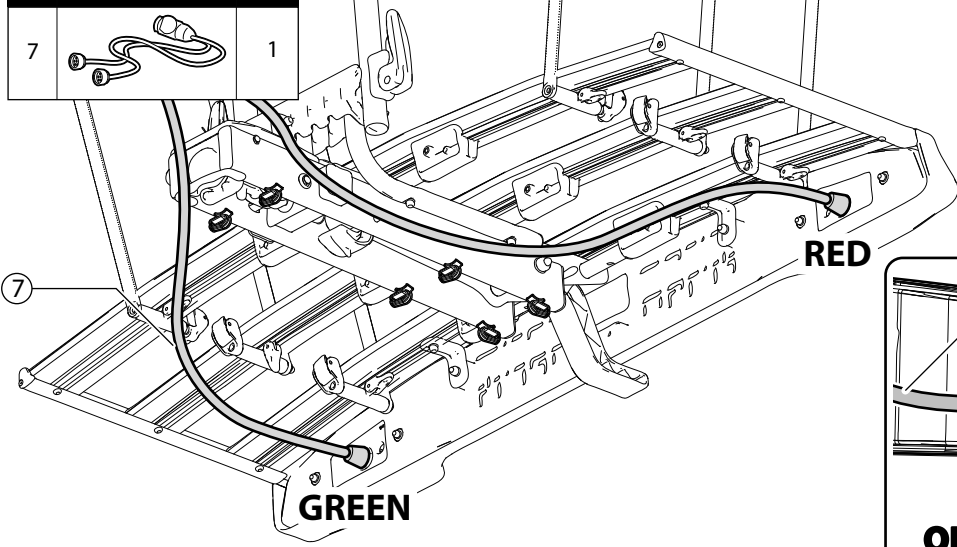
## 3 WAVE 2-3-4

N.	Q.ty
6	6



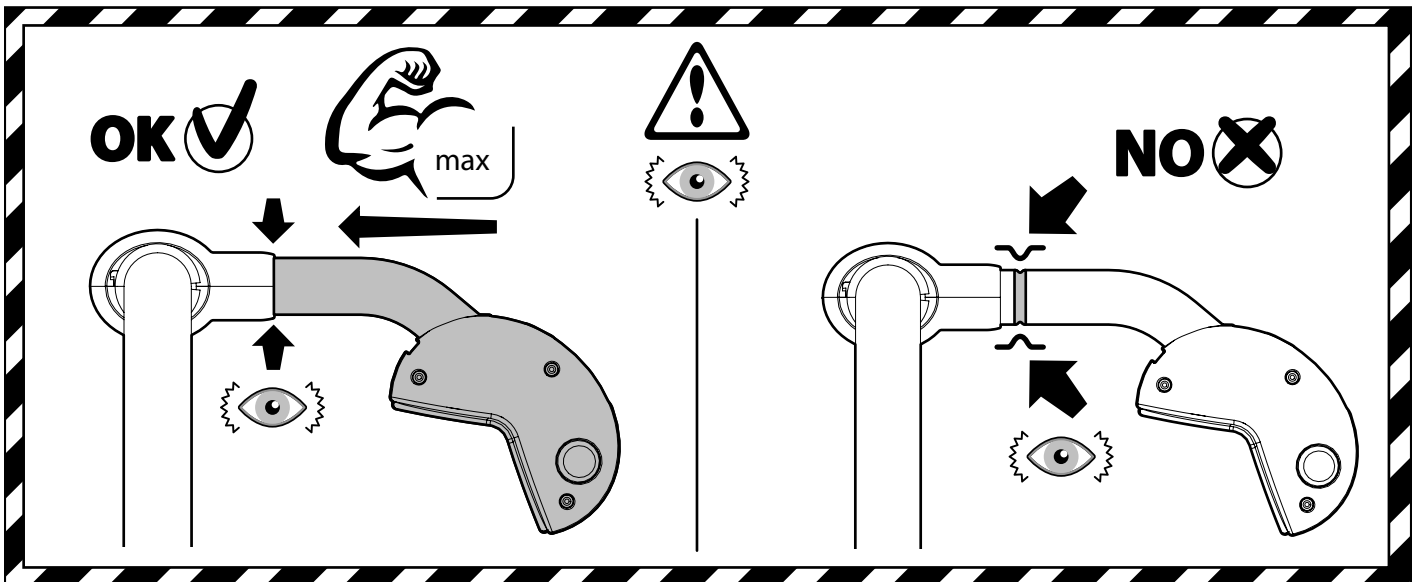
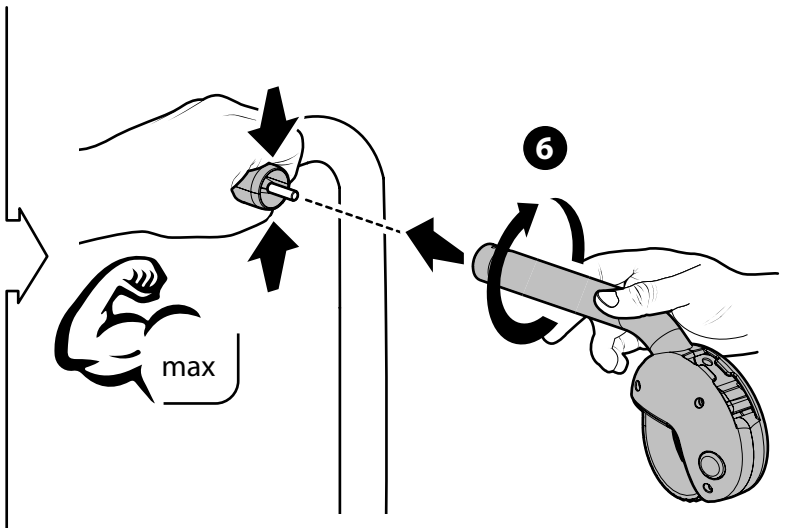
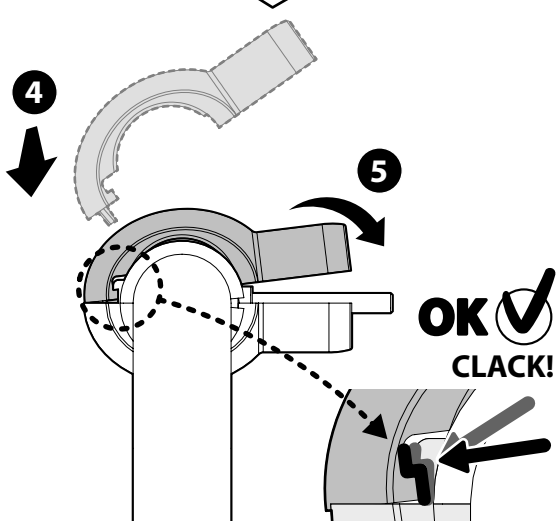
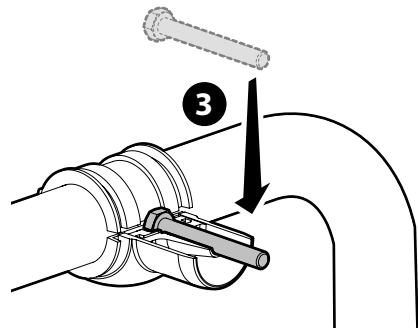
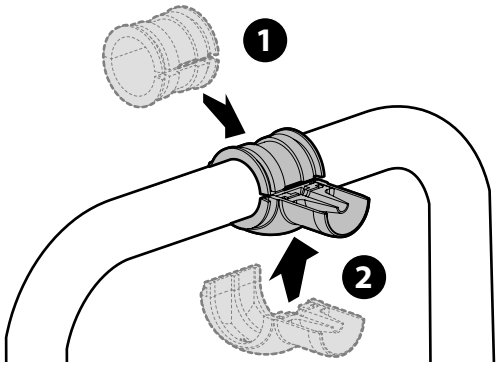
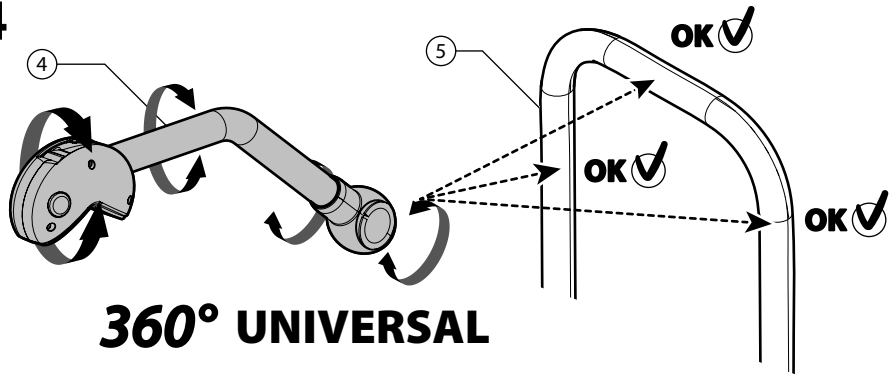
# 4 WAVE 2-3-4

N	Q.ty
7	1

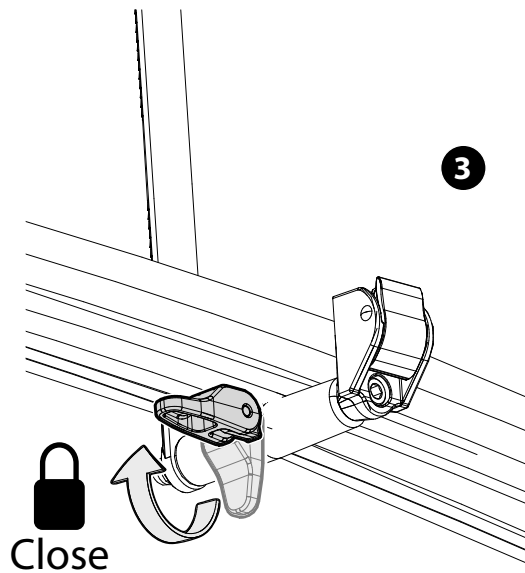
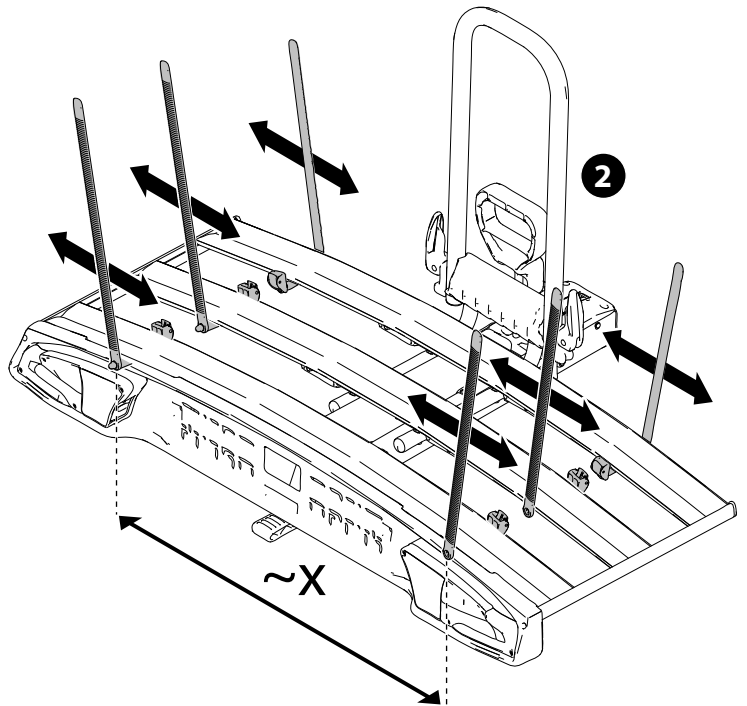
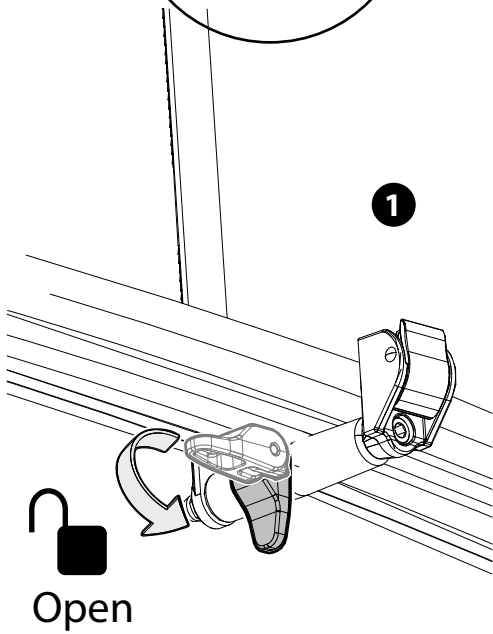
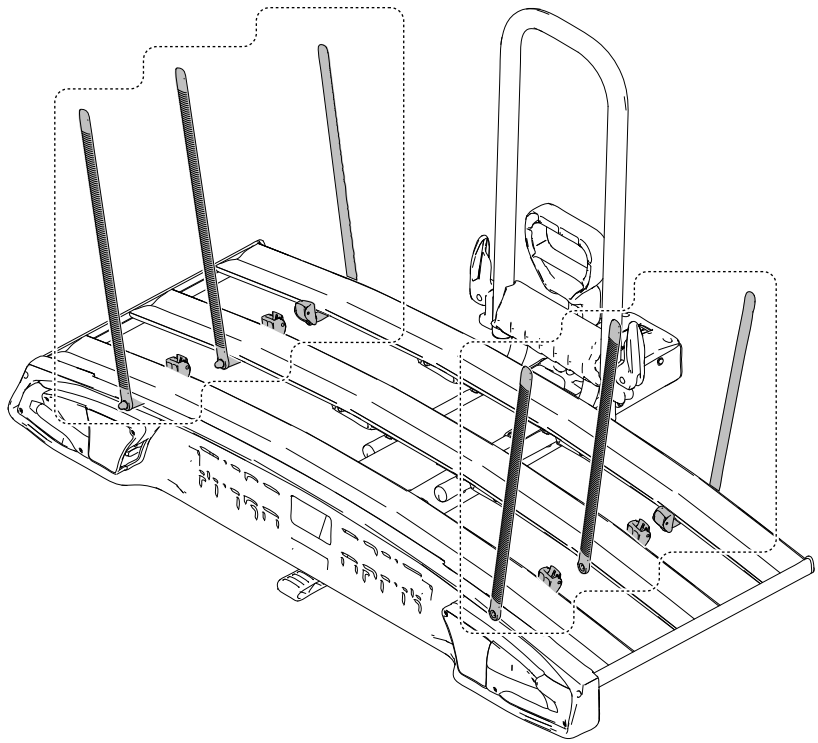
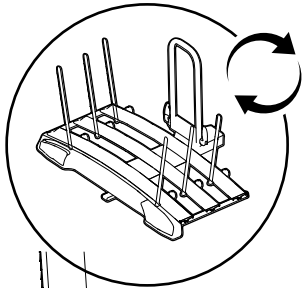
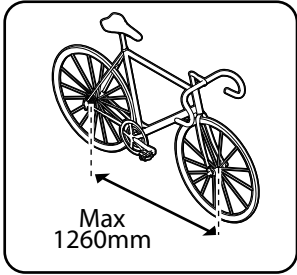


# 5 WAVE 2-3-4

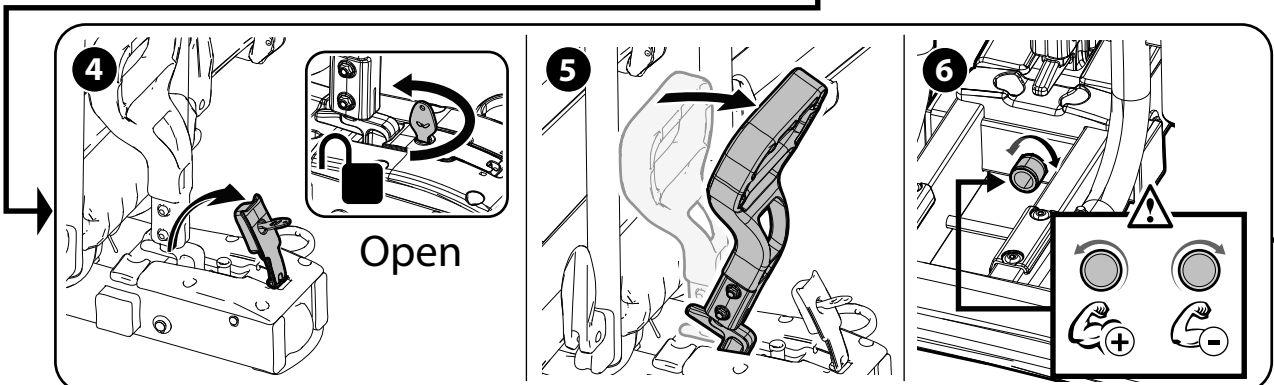
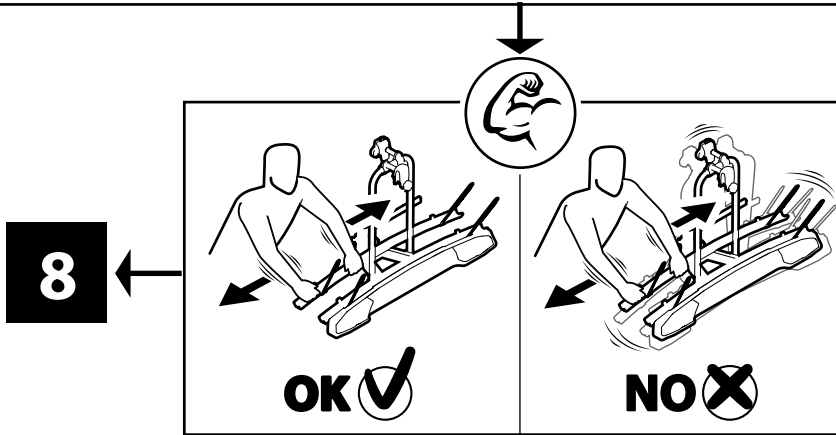
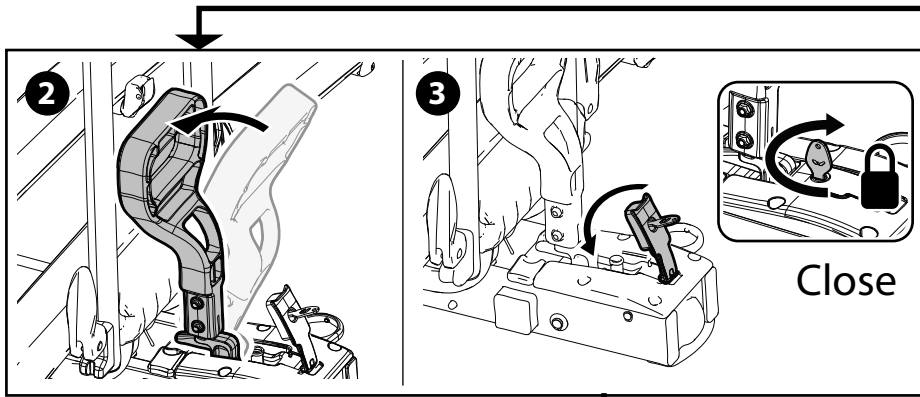
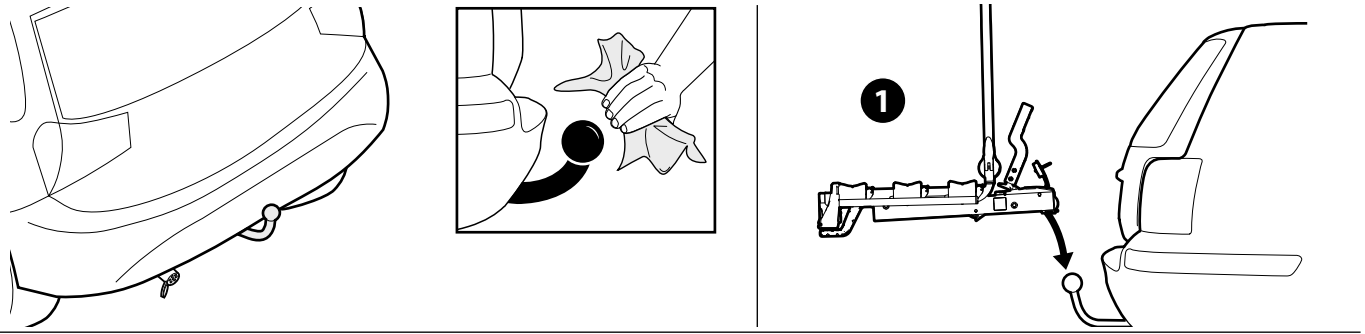
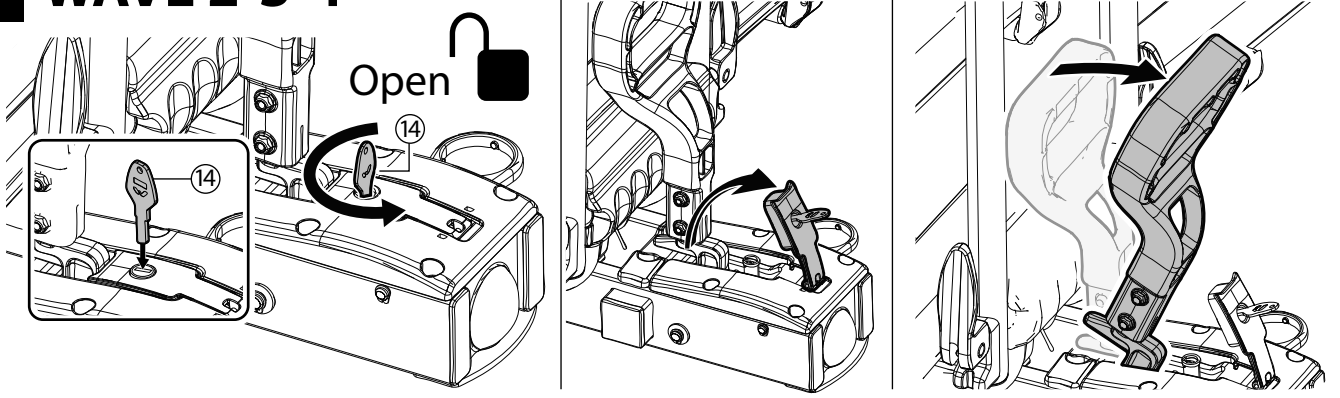
N.	Q.ty
4	1
5	1
10	1



# 6 WAVE 2-3-4





# 7 WAVE 2-3-4

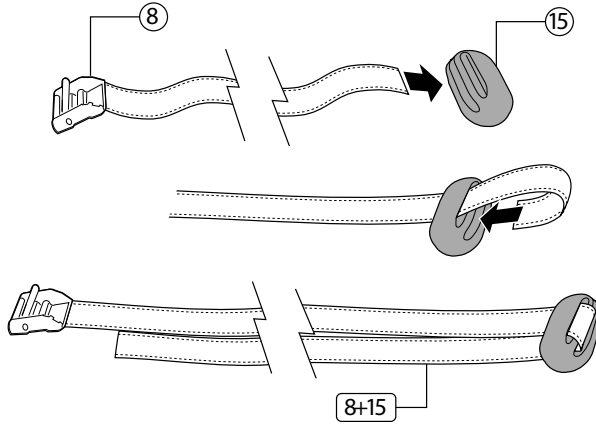




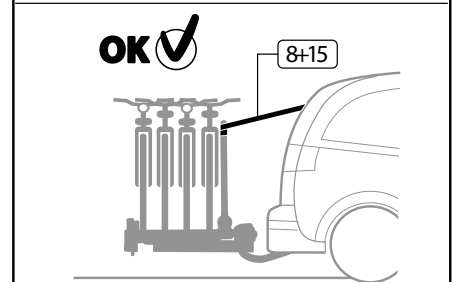
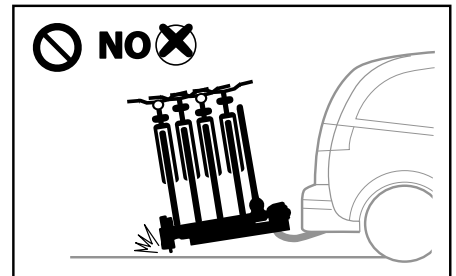
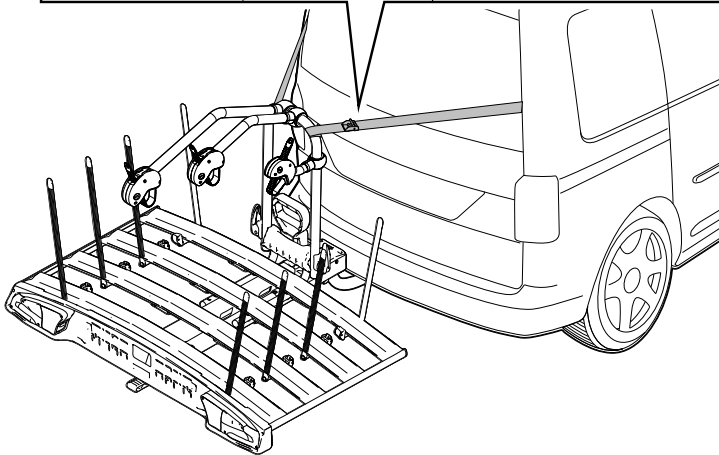
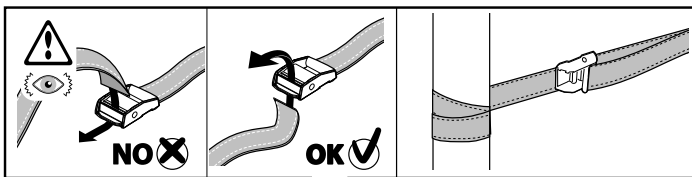
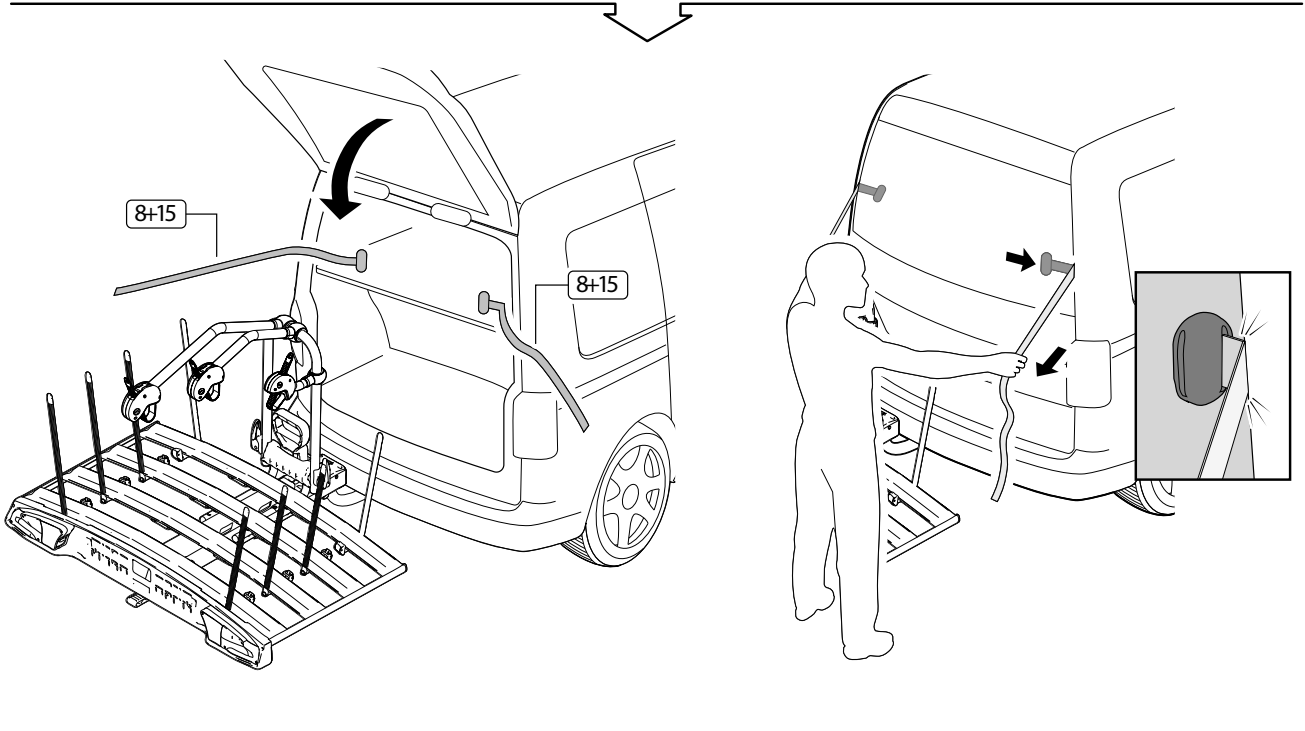




# WAVE 4 ONLY

N.		Q.ty
8	 2,5m	2
15		2

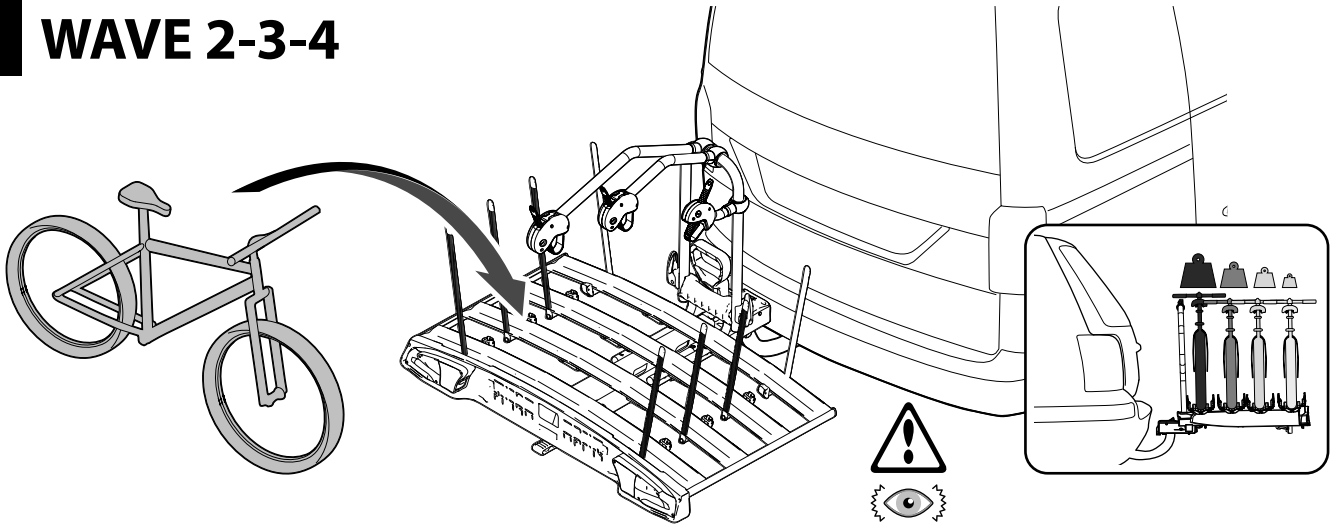


# x2

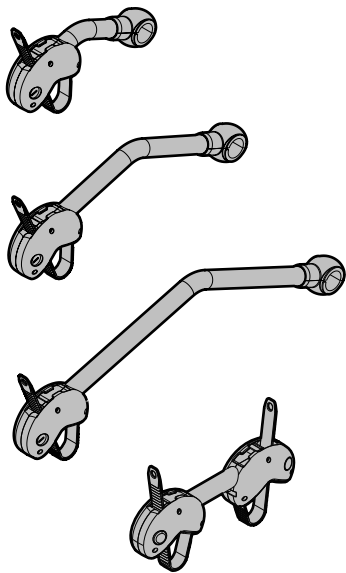


 **OBBLIGATORIO - OBLIGATORY - OBLIGATOIRE**  
 **OBLIGATORISCH - OBLIGATORIO**

# 8 WAVE 2-3-4



	<ul style="list-style-type: none"> <li>MIN Ø30 mm</li> <li>MAX Ø50 mm</li> </ul>		<ul style="list-style-type: none"> <li>MIN 22"</li> <li>MAX 29"</li> </ul>		MAX 110mm		MAX 1260mm
	<ul style="list-style-type: none"> <li>MIN 30x60 mm</li> <li>MAX 50x70 mm</li> </ul>						



**Assembly:**

- 1:** Insert the rack arm into the mounting bracket.
- 2:** Tighten the bracket with a screwdriver.
- 3:** Rotate the rack arm to the desired angle.
- 4:** Lock the rack arm with the provided lock.

**Operation:**

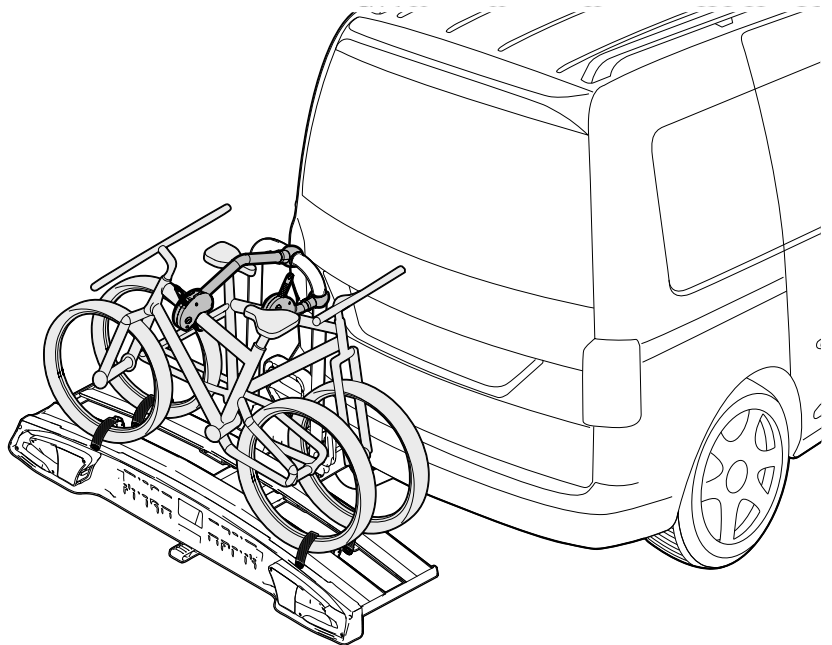
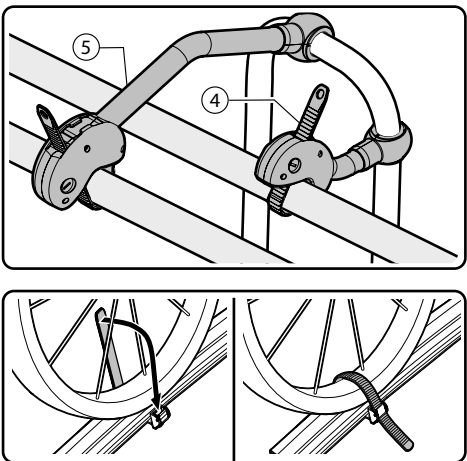
- 5:** Push the release button to open the lock.
- Open:** Push to release the lock mechanism.

**Locking Cycle:**

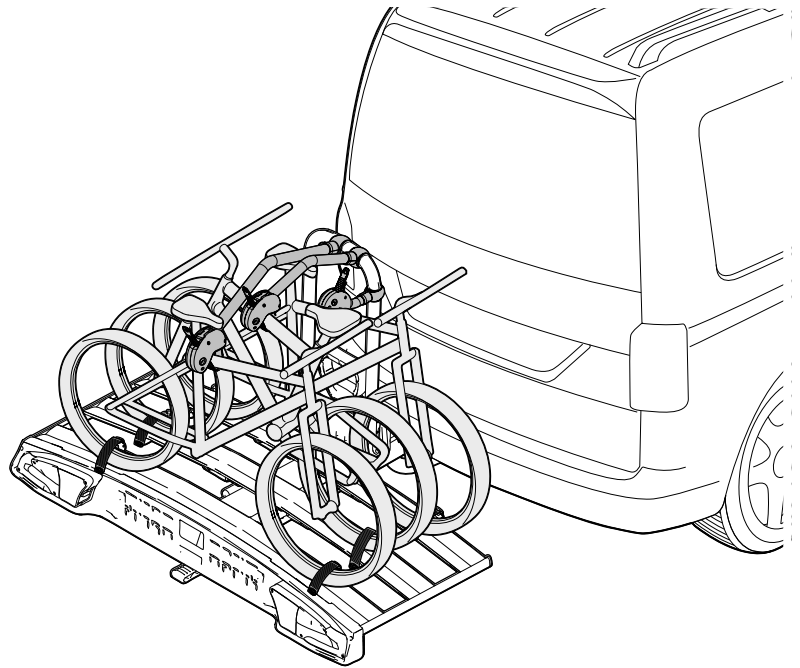
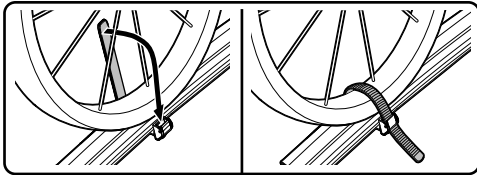
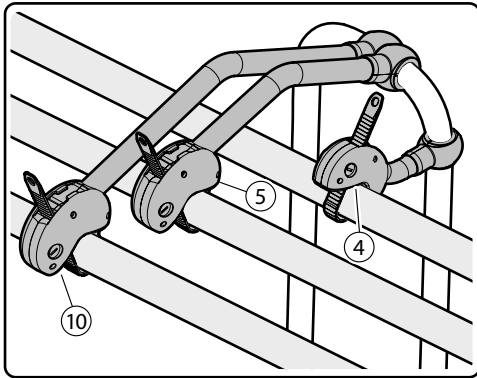
- Opened:** Lock is up.
- Lock:** Lock is down.
- Locked:** Lock is up.

**Warranty:** 1 x YEAR (JANUARY 18)

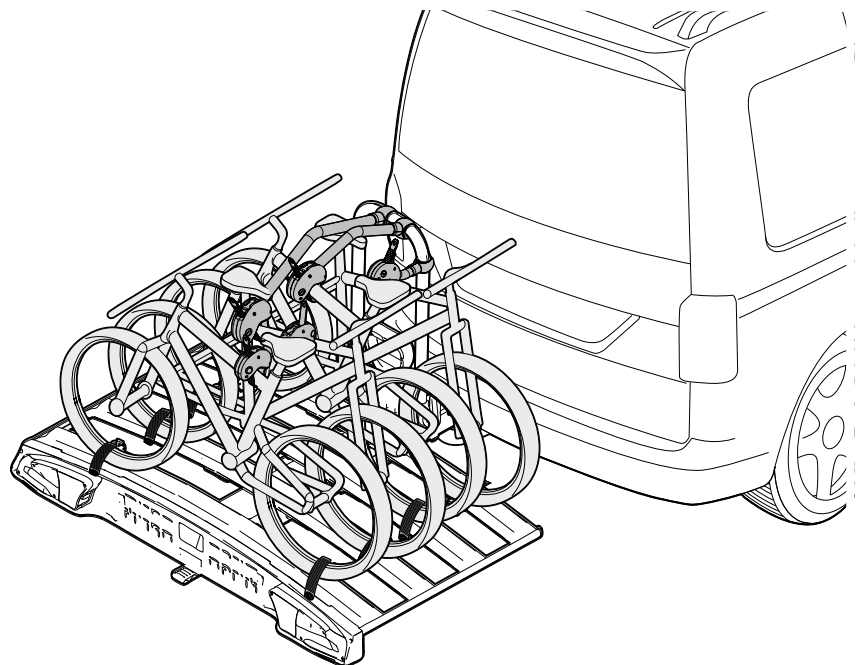
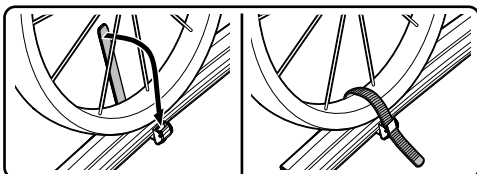
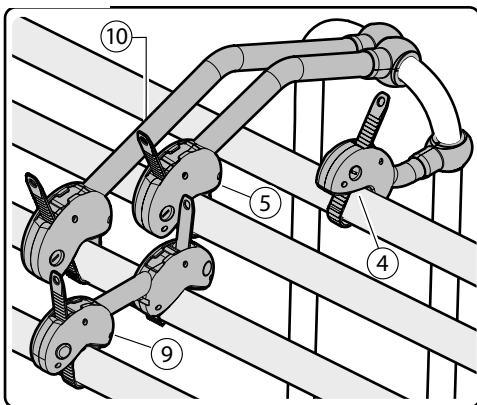
# 9a | WAVE 2 ONLY



## 9b | WAVE 3 ONLY

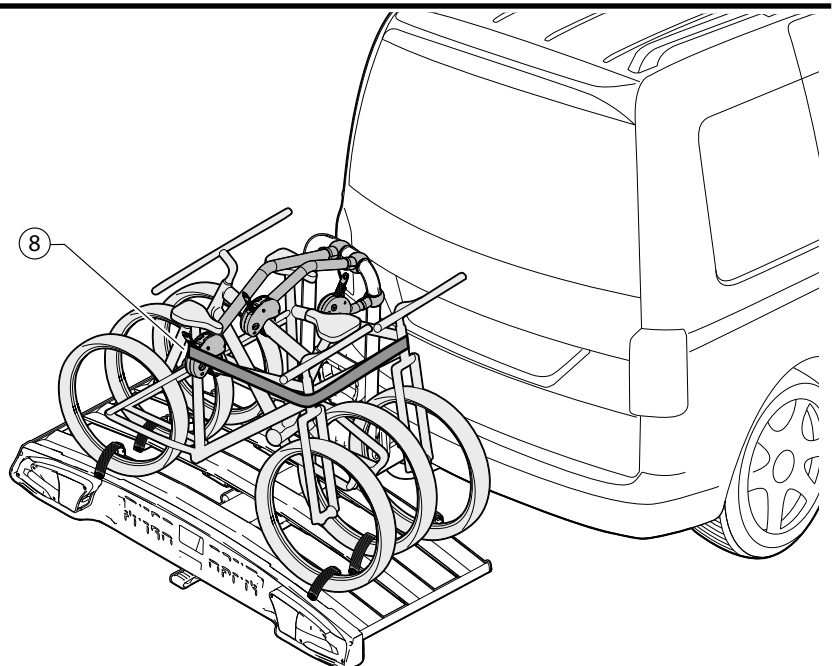


## 9c | WAVE 4 ONLY

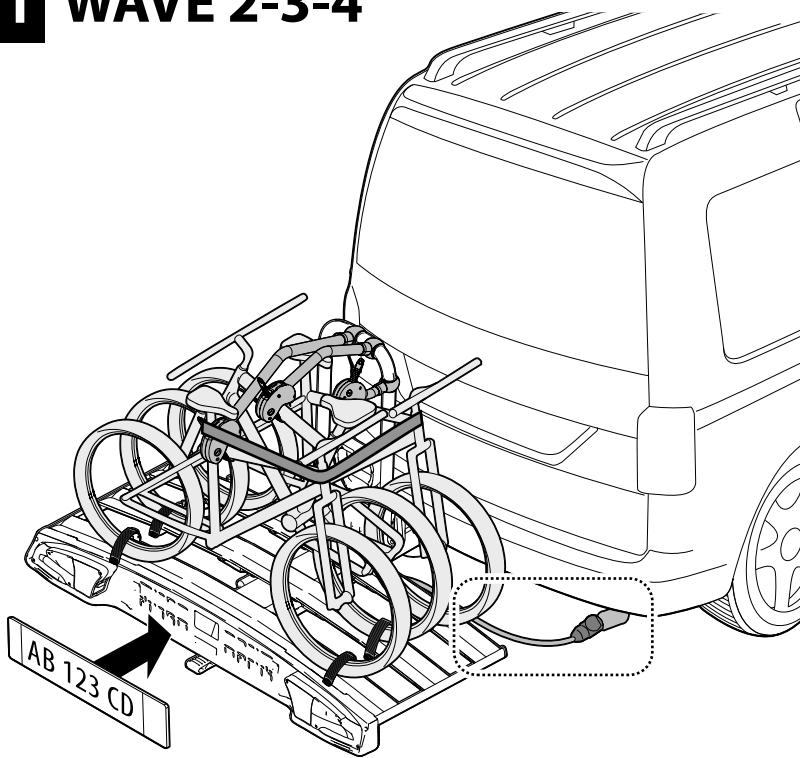


## 10 | WAVE 2-3-4

N.	Q.ty
8	1



# 11 WAVE 2-3-4



**13 Pins**

---

**ADAPTER OPTIONAL  
Art. 38993**

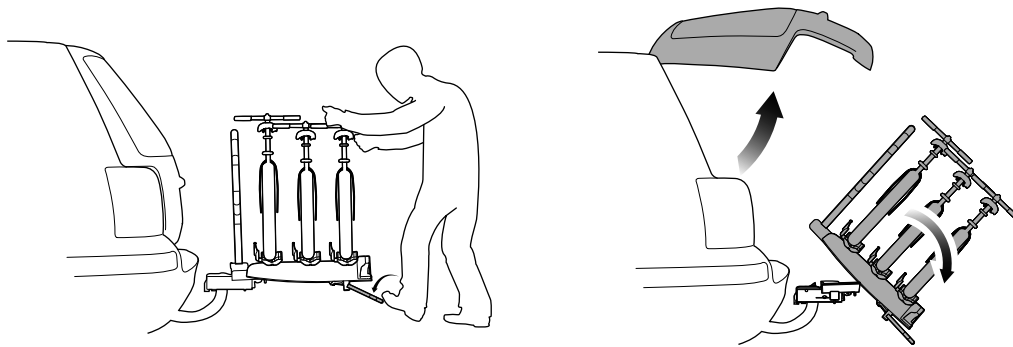
**7 Pins**

**OPTIONAL  
Art. 98072/98669 + Art.98071**

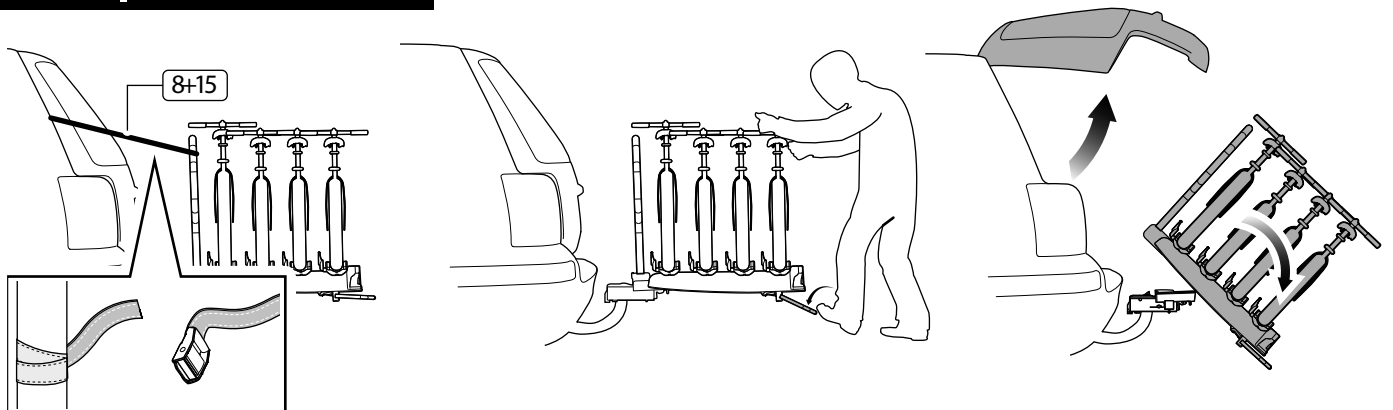
A) Art.07962  
B) Art.07963  
C) Art.07964  
D) .....

Elenco completo / Complete list → Page 15

# 12a | WAVE 2 / WAVE 3 ONLY



# 12b | WAVE 4 ONLY



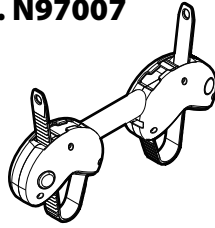
**OPTIONALS**

- S** Art. N50911
- M** Art. N50912
- L** Art. N50913



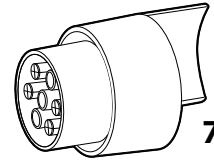
Braccetto con antifurto  
Single arm with anti-theft lock

**Art. N97007**



Braccetto di collegamento  
Connecting arm

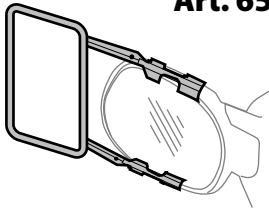
**Art. 38993**



7/13

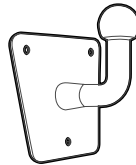
Adattatore poli  
Poles adapter

**Art. 65549**



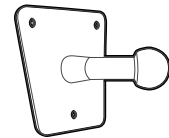
Specchio supplementare  
Towing mirror

**Art. N50950**



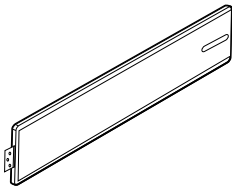
Supporto da parete  
Wall bracket

**Art. N50951**



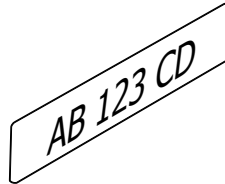
Supporto da parete  
Wall bracket

**Art. 98072/98669**



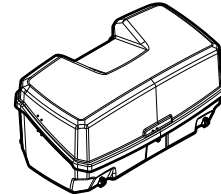
Porta targa ripetitrice  
Number plate holder

**Art. 98071**



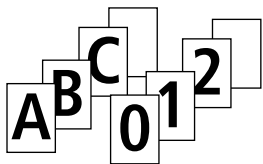
Targa ripetitrice provvisoria  
Temporary number plate duplicate

**Art. N50430**



solo per /  
only for  
**WAVE 3**  
**WAVE 4**

Baule posteriore "ZAWA"  
Rear box for tow bar bike racks "ZAWA"



**80x35 mm**

Caratteri alfanumerici adesivi  
Adhesive characters and numbers

**A** Art. 07962

**I** Art. 07970

**Q** Art. 07978

**1** Art. 07988

**B** Art. 07963

**J** Art. 07971

**R** Art. 07979

**2** Art. 07989

**C** Art. 07964

**K** Art. 07972

**S** Art. 07980

**3** Art. 07990

**D** Art. 07965

**L** Art. 07973

**T** Art. 07981

**4** Art. 07991

**E** Art. 07966

**M** Art. 07974

**U** Art. 07982

**5** Art. 07992

**F** Art. 07967

**N** Art. 07975

**V** Art. 07983

**6** Art. 07993

**G** Art. 07968

**O** Art. 07976

**W** Art. 07984

**7** Art. 07994

**H** Art. 07969

**P** Art. 07977

**X** Art. 07985

**8** Art. 07995

**Y** Art. 07986

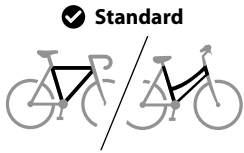
**9** Art. 07996

**Z** Art. 07987

**0** Art. 07997



Attenzione • Warning • Attention • Hinweise • Advertencia



✓ Standard

✓ E-bike



✓ Fat-bike



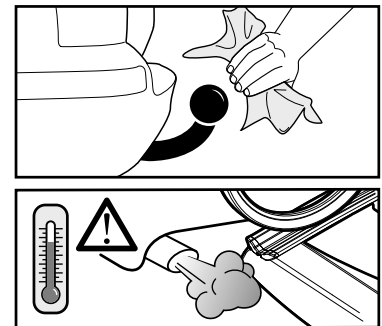
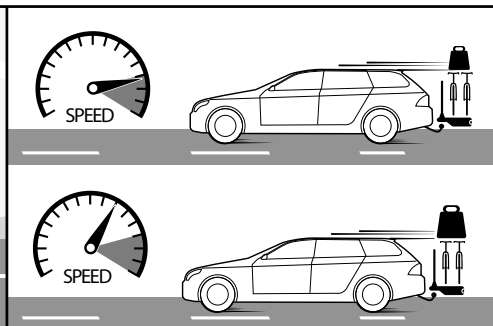
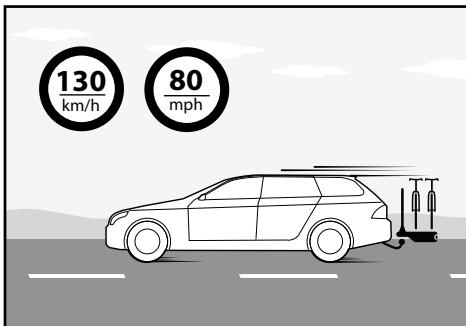
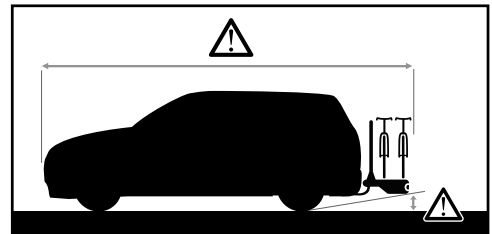
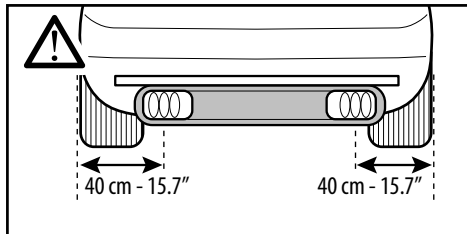
 MAX 94/20/CE STANDARD	 <b>WAVE 2</b> 16,2 kg	 MAX 30kg MAX 30kg MAX 30kg MAX 30kg MAX 30kg	 MAX 33,8kg MAX 43,8kg MAX 53,8kg MAX 60kg MAX 60kg					
					50 kg			
					60 kg			
					70 kg			
					80 kg			
					>80 kg			

 MAX 94/20/CE STANDARD	 <b>WAVE 3</b> 18 kg	 MAX 30kg MAX 30kg MAX 30kg MAX 30kg MAX 30kg	 MAX 32kg MAX 42kg MAX 52kg MAX 60kg MAX 60kg					
					50 kg			
					60 kg			
					70 kg			
					80 kg			
					>80 kg			

 MAX 94/20/CE STANDARD	 <b>WAVE 4</b> 19,8 kg	 MAX 30kg MAX 30kg MAX 30kg MAX 30kg MAX 30kg	 MAX 30,2kg MAX 40,2kg MAX 50,2kg MAX 60kg MAX 60kg					
					50 kg			
					60 kg			
					70 kg			
					80 kg			
					>80 kg			



- ① Lotto di produzione da comunicare per eventuali ricambi
  - ② Production lot number to be communicated for any spare parts
  - ③ Lot de production à communiquer pour toute pièce de rechange
  - ④ Produktionscharge für eventuelle Ersatzteile
  - ⑤ Lote de producción a comunicar por cualquier repuesto
- Lot. 38111**

**NORDRIVE**<sup>®</sup>  
TRANSPORT SOLUTIONS

**NORDRIVE**<sup>®</sup> is a registered trademark of LAMPA S.p.A.

Via G. Rossa 53/55, 46019 Viadana (MN) ITALY  
Tel. +39 0375 820700  
UNI EN ISO 9001:2015 Certified Company  
[www.nordrive.it](http://www.nordrive.it) [www.lampa.it](http://www.lampa.it)