

Art. **N30372**

**VOLKSWAGEN TRANSPORTER T5**

2000 04/03 → 03/15

**VOLKSWAGEN TRANSPORTER T6**

2000 04/15 →

(no guida femmina - no female guide - nicht T-Profil)

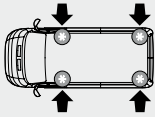


H = 1990mm  
L = 3000mm



H = 2176mm  
L = 3000mm

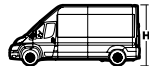
**2** = Art. **N30372** x **1**  
**bars**



H = 1990mm  
L = 3400mm

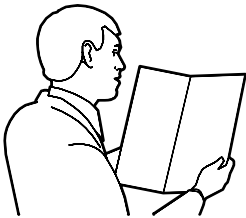
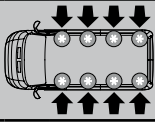


H = 2176mm  
L = 3400mm



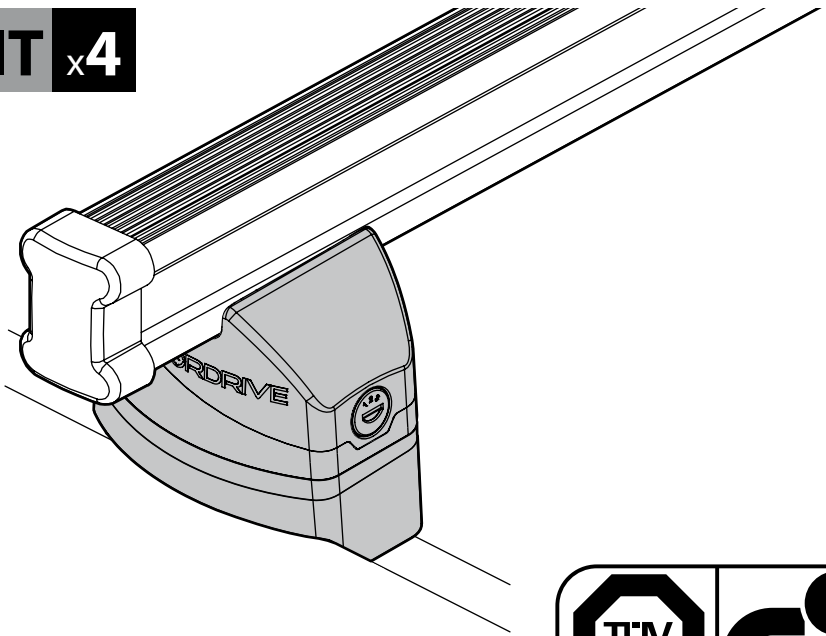
H = 2476mm  
L = 3400mm

**4** = Art. **N30372** x **2**  
**bars**



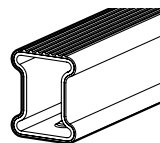
- I** ISTRUZIONI DI MONTAGGIO
- GB** FITTING INSTRUCTIONS
- D** MONTAGEANLEITUNG
- F** INSTRUCTIONS DE MONTAGE
- E** ISTRUCCIONES DE MONTAJE
- P** INSTRUÇÕES DE MONTAGEM
- NL** MONTAGE-INSTRUCTIES
- S** MONTERINGSANVISNING
- FIN** ASENNUSOHJE
- EST** PAIGALDUSJUHEND
- AT** STIPRINÁŠANAS INSTRUKCIJA
- LT** PRITVIRTINIMO INSTRUKCIJOS
- PL** INSTRUKCJA MONTAŻU
- RUS** Инструкции по установке
- CZ** NÁVOD NA MONTÁŽ
- SK** NÁVOD NA MONTÁŽ
- SLO** NAVODILA ZA PRITRJEVANJE
- HR** UPUTA ZA SASTAVLJANJE
- H** A FELSZERELÉS MÓDJA
- GR** Οδηγίες συναρμολόγησης
- TR** MONTAJ TALIMATLARL
- BG** ИНСТРУКЦИИ ЗА МОНТАЖ
- SRB** UPUTSTVA ZA MONTAŽU

**KIT x4**



- I** ADATTO PER
- GB** SUITABLE FOR
- F** INDIQUÉ POUR
- D** GEEIGNET FÜR
- E** ADECUADA PARA

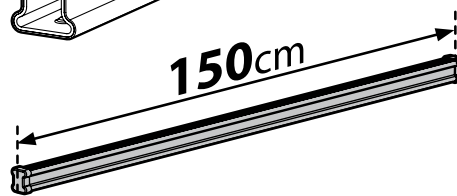
**NORDRIVE**  
**KARGO SERIES**



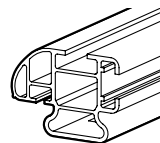
**Kargo**  
ACCIAIO  
Steel

- I** BARRE KARGO
- GB** KARGO BARS
- F** BARRES KARGO
- D** DACH-LASTENTRÄGER KARGO
- E** BARRES KARGO

150cm



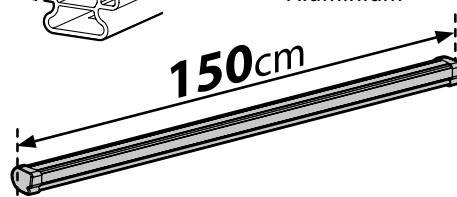
Art. **N10010** x**2**



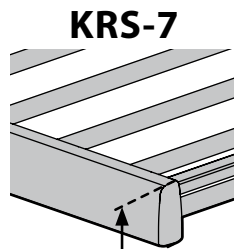
**Kargo-Plus**  
ALLUMINIO  
Aluminium

- I** BARRE KARGO-PLUS
- GB** KARGO-PLUS BARS
- F** BARRES KARGO-PLUS
- D** DACH-LASTENTRÄGER KARGO-PLUS
- E** BARRES KARGO-PLUS

150cm

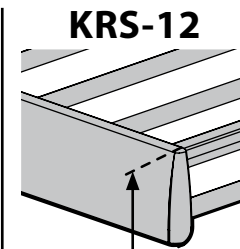


Art. **N10040** x**2**



**KRS-7**

7cm



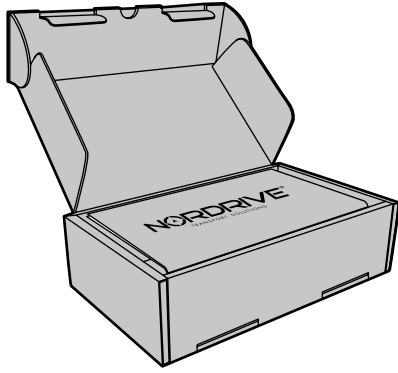
**KRS-12**

12cm

- I** CESTE PORTATUTTO KRS-7 / KRS-12
- GB** KRS-7 / KRS-12 VAN ROOF RACKS
- F** GALERIE KRS-7 / KRS-12
- D** DACHKÖRBEIN KRS-7 / KRS-12
- E** BACAS KRS-7 / KRS-12

**NORDRIVE**<sup>®</sup>

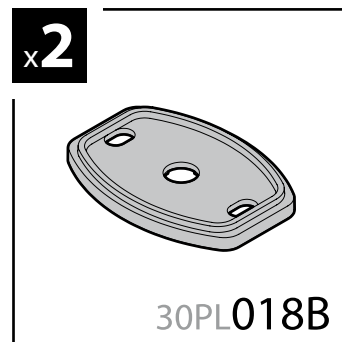
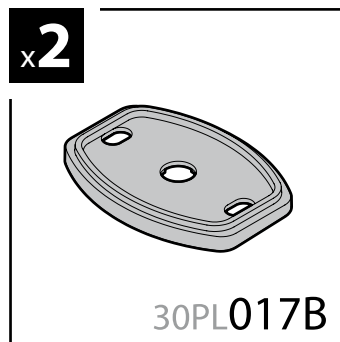
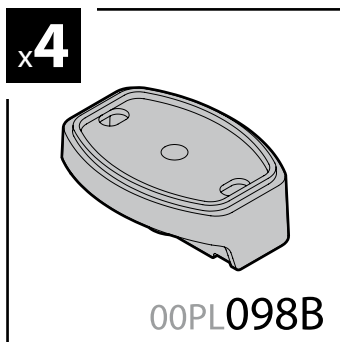
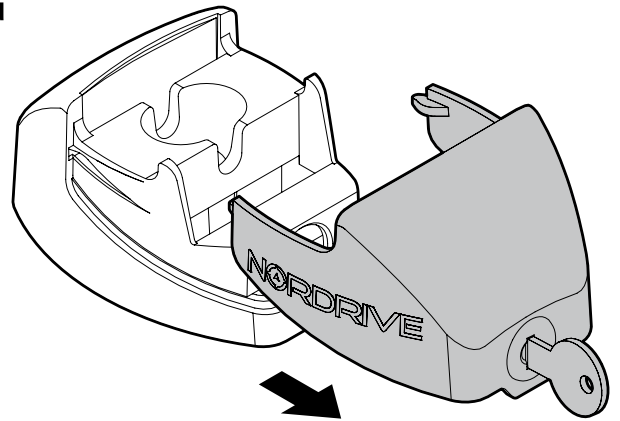
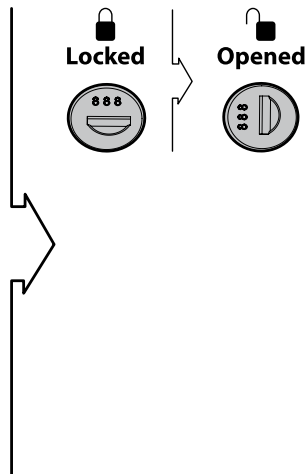
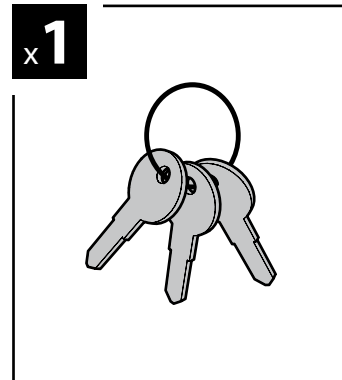
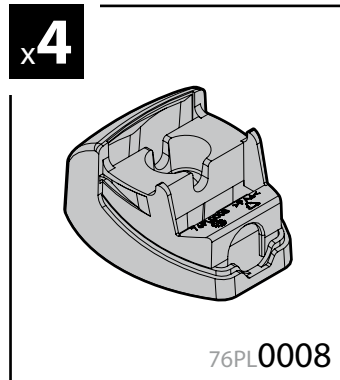
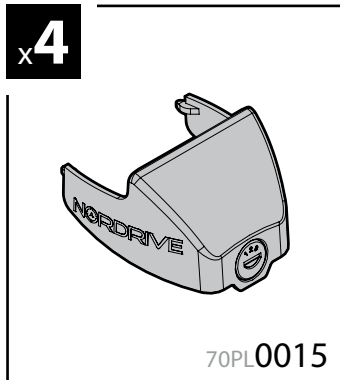
TRANSPORT SOLUTIONS



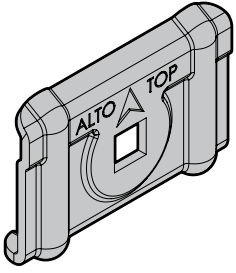
# NORDRIVE<sup>®</sup>

TRANSPORT SOLUTIONS

Art. **N30372**

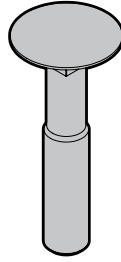


x8



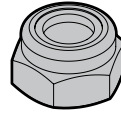
40FE001

x4



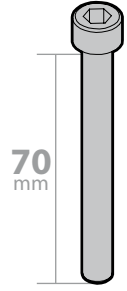
60BQ8045

x4



62BB0800

x4



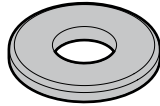
M6x70  
60CE6070

x4



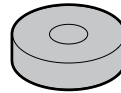
61ED0611

x4



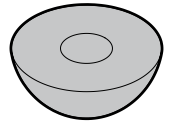
ø6 - ø15  
82FE0001

x4



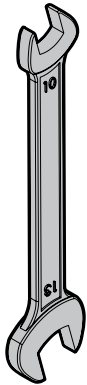
80GO027B

x4



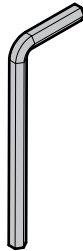
60RO004

x1



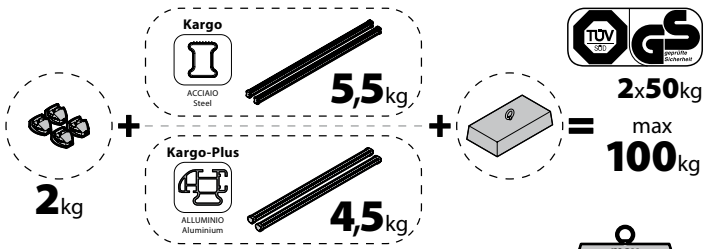
72FE0001

x1



72FE0002

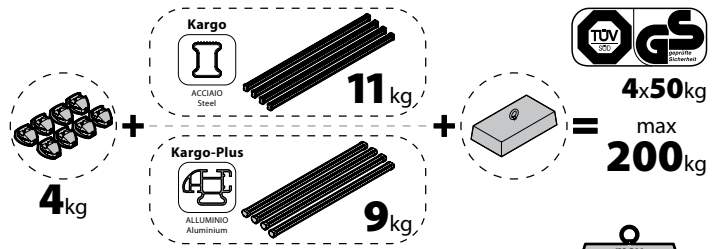
**2** = Art. N30372 x 1  
bars



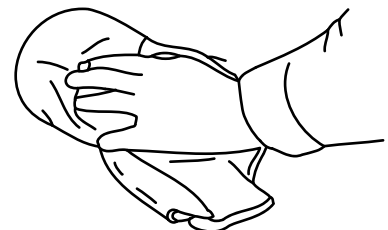
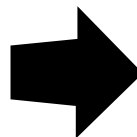
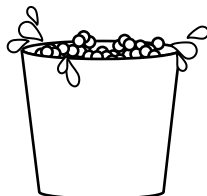
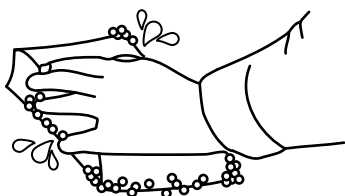
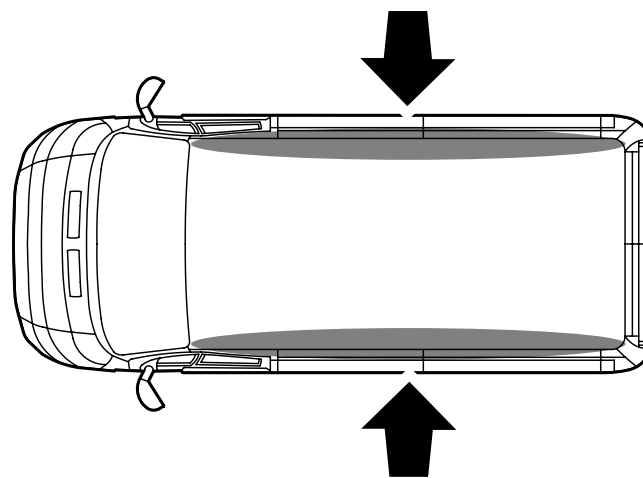
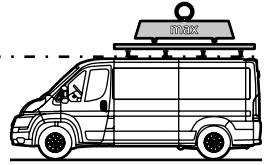
! max ???kg



**4** = Art. N30372 x 2  
bars



! max ???kg



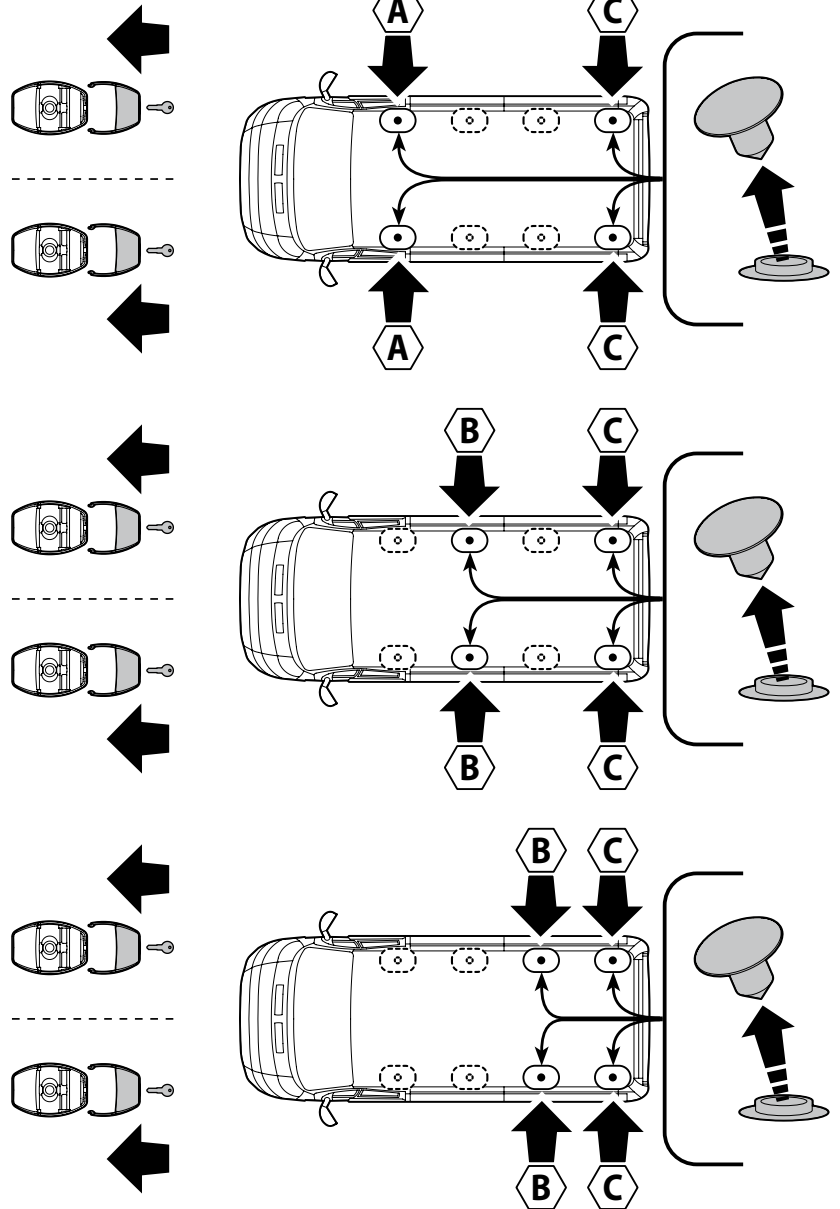
(I) ISTRUZIONI DI MONTAGGIO  
 (GB) FITTING INSTRUCTIONS  
 (D) MONTAGEANLEITUNG  
 (F) INSTRUCTIONS DE MONTAGE  
 (E) INSTRUCCIONES DE MONTAJE  
 (P) INSTRUÇÕES DE MONTAGEM  
 (NL) MONTAGE-INSTRUCTIES  
 (S) MONTERINGSANVISNING

(FIN) ASENNUSOHJE  
 (EST) PAIGALDUSJUHEND  
 (LAT) STIPRINĀŠANAS INSTRUKCIJA  
 (LT) PRITVIRTINIMO INSTRUKCIJOS  
 (PL) INSTRUKCJA MONTAŻU  
 (RUS) Инструкции по установке  
 (CZ) NÁVOD NA MONTÁŽ  
 (SK) NÁVOD NA MONTÁŽ

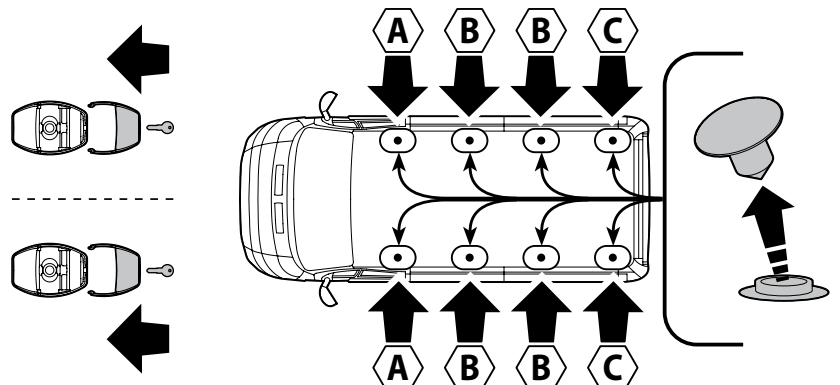
(SLO) NAVODILA ZA PRITRJEVANJE  
 (HR) UPUTA ZA SASTAVLJANJE  
 (H) A FELSZERELÉS MÓDJA  
 (GR) Οδηγίες συναρμολόγησης  
 (TR) MONTAJ TALIMATLARI  
 (BG) ИНСТРУКЦИИ ЗА МОНТАЖ  
 (SRB) UPUTSTVA ZA MONTAŽU

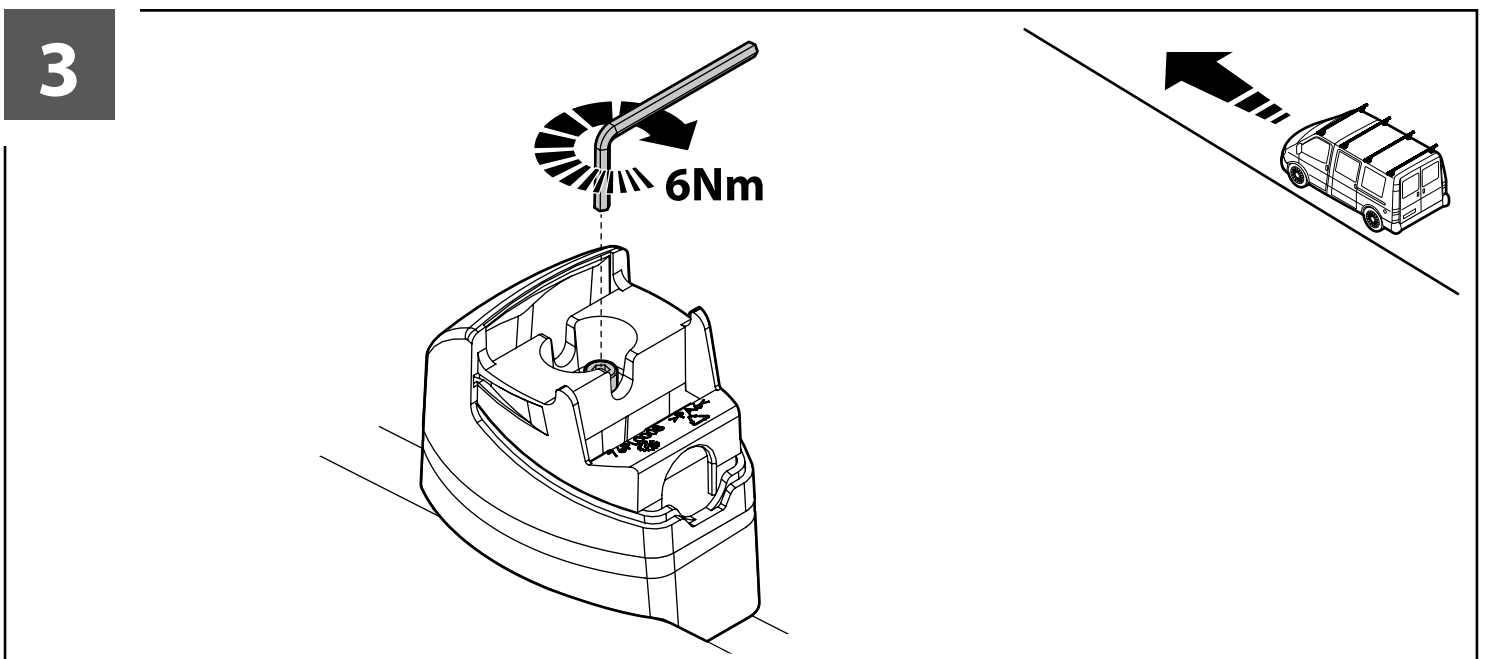
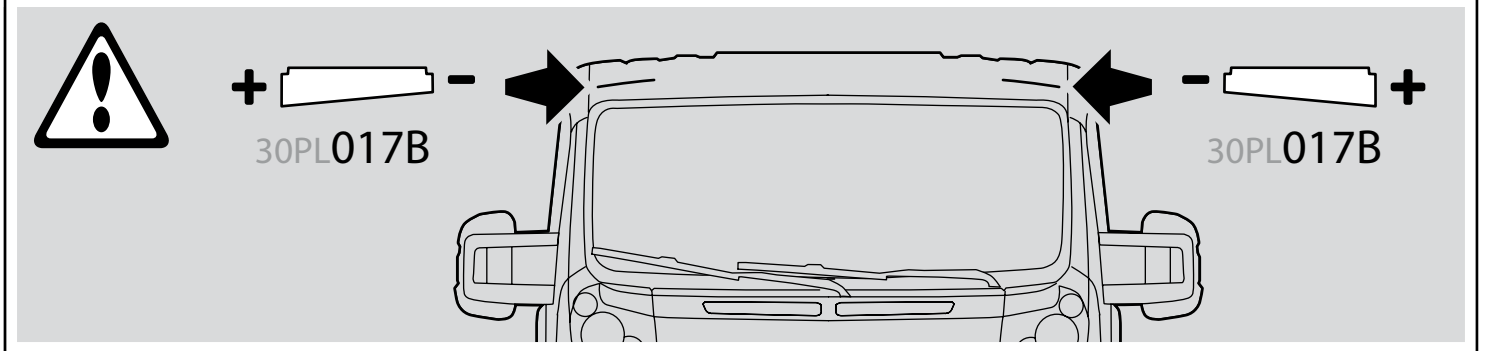
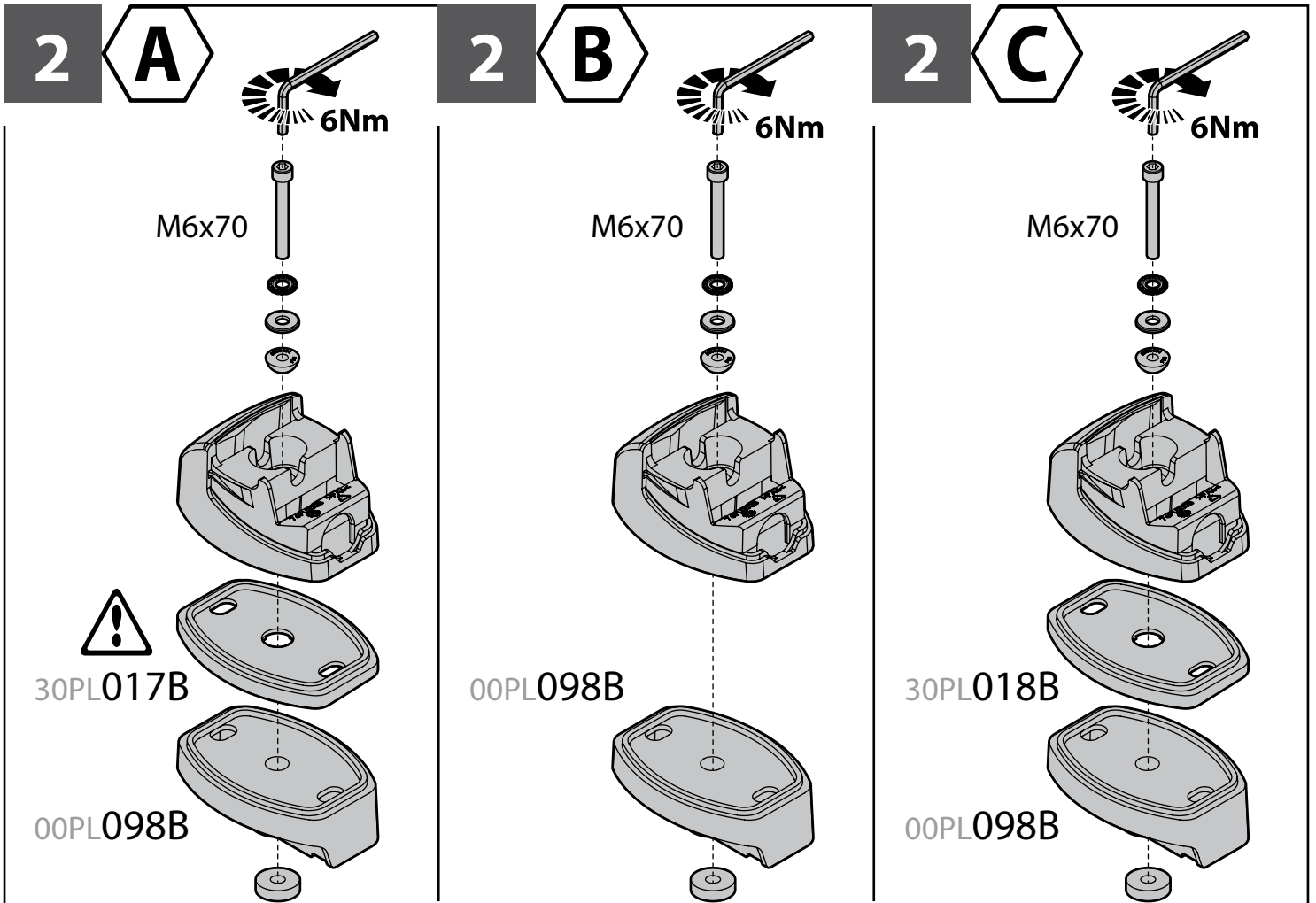
1

**2** = Art. N30372 x **1**  
 bars



**4** = Art. N30372 x **2**  
 bars







# ATTENZIONE WARNING



**A**

## Kargo

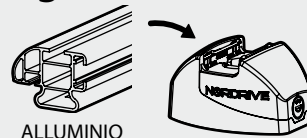


ACCIAIO  
Steel

MONTAGGIO DIRETTO  
SUI KIT PIEDI SPECIFICI  
DIRECTLY ON FOOT KITS  
BEFESTIGUNGSFÜSSE

**B**

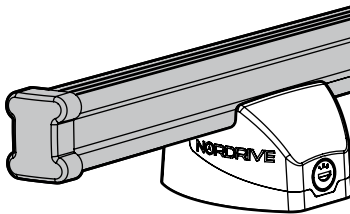
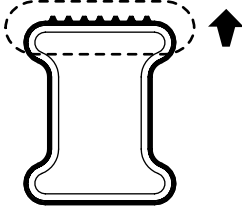
## Kargo-Plus



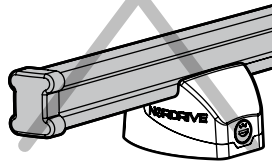
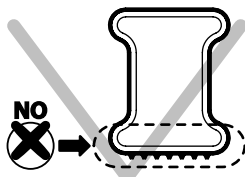
ALLUMINIO  
Aluminium

MONTAGGIO DIRETTO  
SUI KIT PIEDI SPECIFICI  
DIRECTLY ON FOOT KITS  
BEFESTIGUNGSFÜSSE

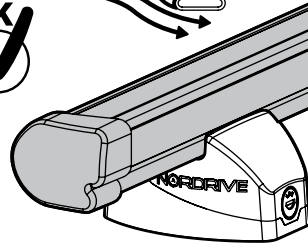
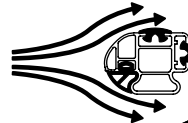
OK ✓



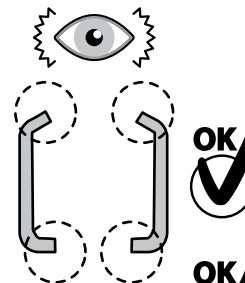
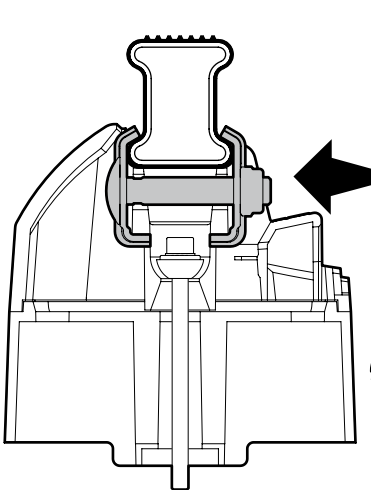
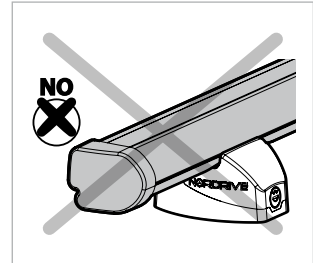
NO ✗



OK ✓

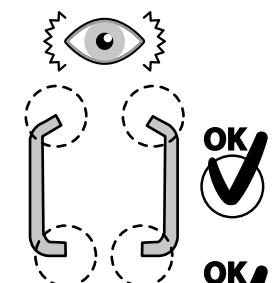
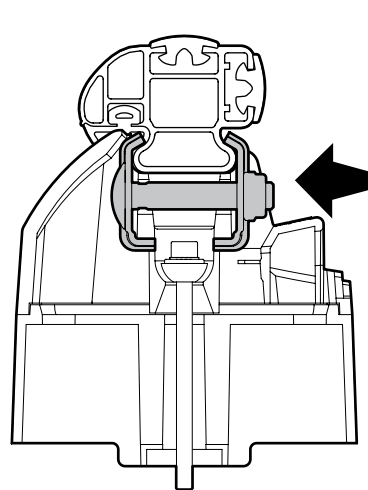


NO ✗



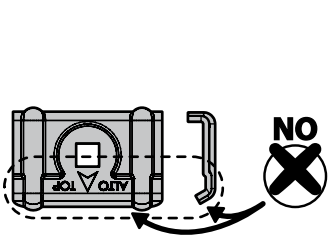
OK ✓

OK ✓

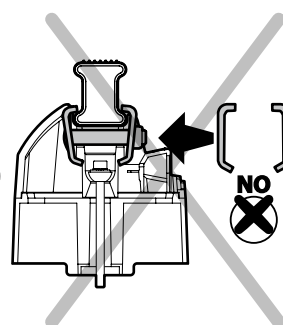


OK ✓

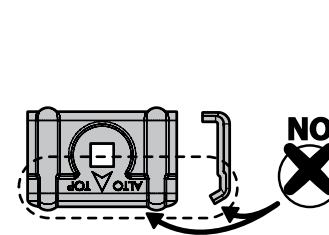
OK ✓



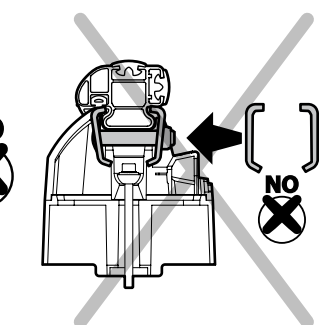
NO ✗



NO ✗

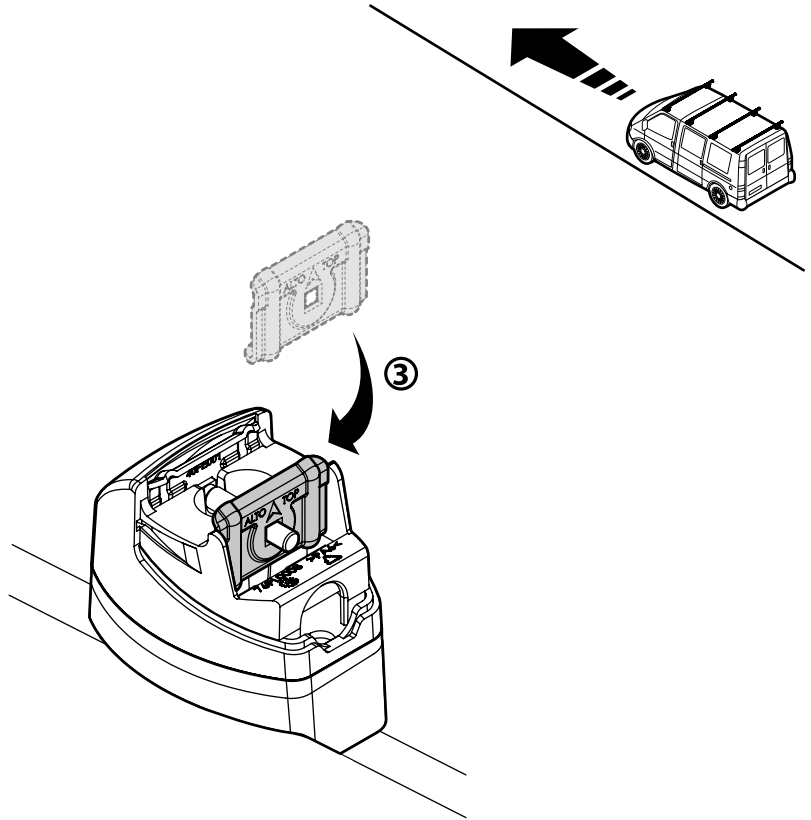
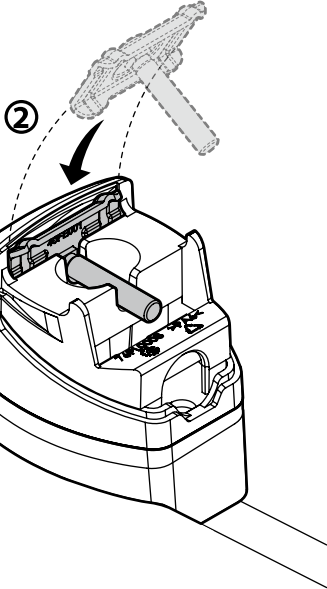
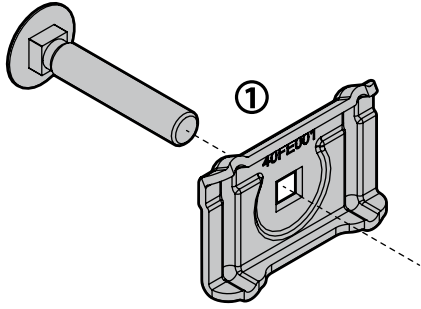


NO ✗

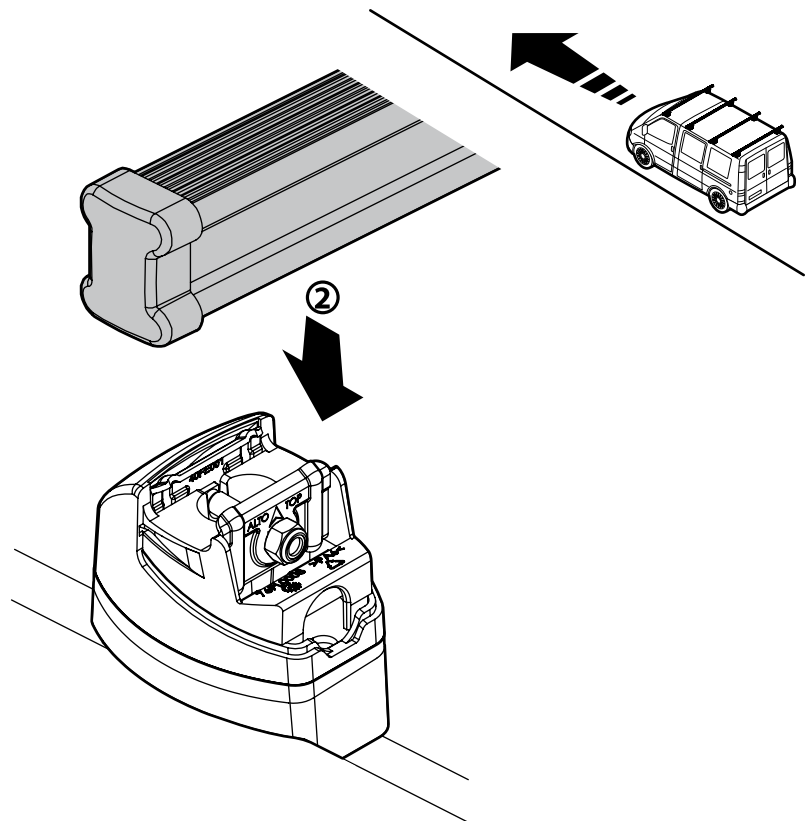
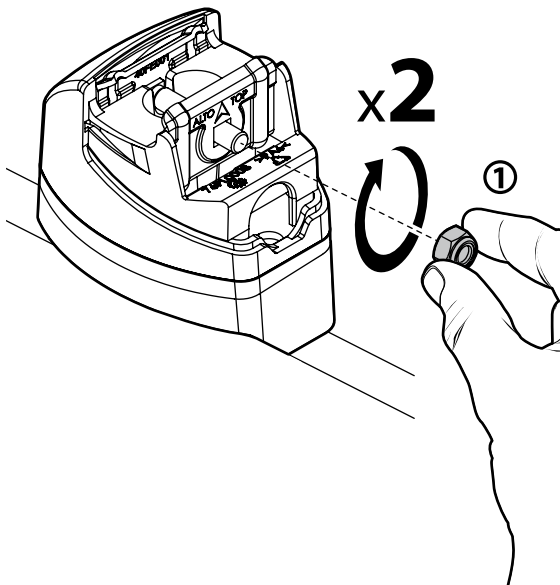


NO ✗

4



5





# 6

### A

## Kargo

**ACCIAIO**  
Steel

Diagram A illustrates the installation of the Kargo steel bar. It shows a cross-section of the steel bar and a top-down view of the bar being placed onto a vehicle's roof rails. Step 1 shows the bar being lowered onto the rails, and step 2 shows the bar being secured with nuts and washers.

### B

## Kargo-Plus

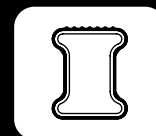
**ALLUMINIO**  
Aluminium

Diagram B illustrates the installation of the Kargo-Plus aluminium bar. It shows a cross-section of the aluminium bar and a top-down view of the bar being placed onto a vehicle's roof rails. Step 1 shows the bar being lowered onto the rails, and step 2 shows the bar being secured with nuts and washers. Step 3 shows the bar being secured with a lock.

# 7

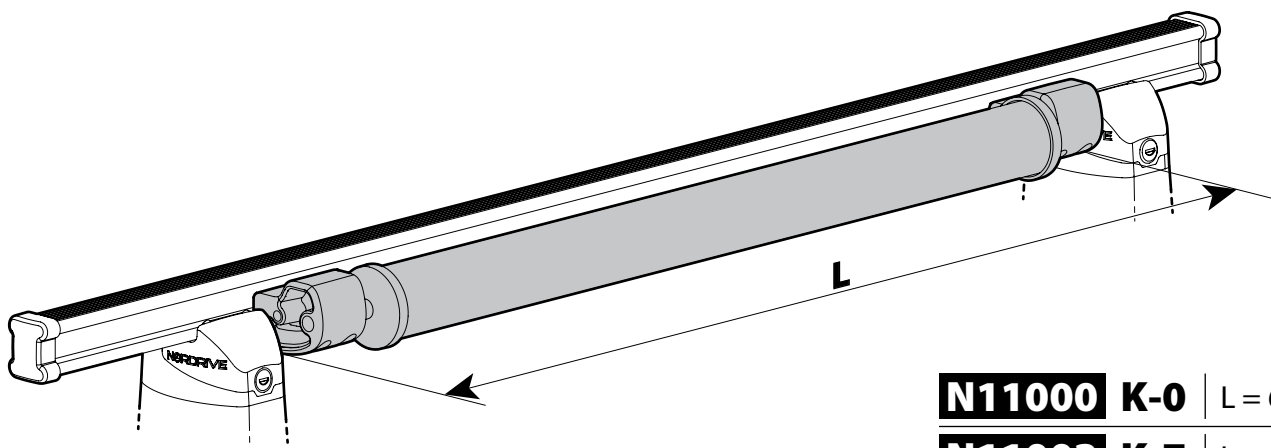
Diagram 7 illustrates the locking mechanism of the Kargo bar. It shows a close-up of the bar's end with a wrench being used to tighten a nut. A torque specification of 8Nm is indicated. A legend shows the bar in three states: Opened, Lock, and Locked. An inset image shows a van with the bar installed on its roof.

# Kargo series



Acciaio / Steel

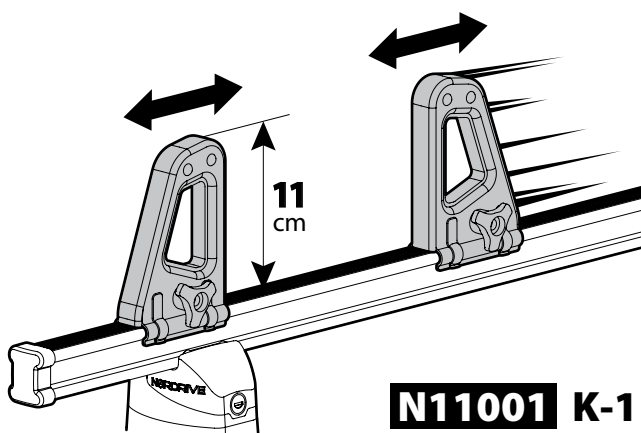
## Kargo Roller



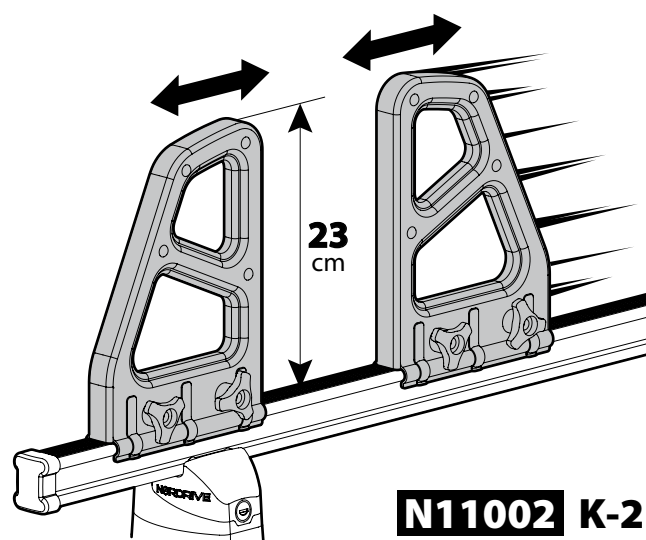
**N11000 K-0** | L = 64 cm

**N11003 K-7** | L = 96 cm

## Load Stops

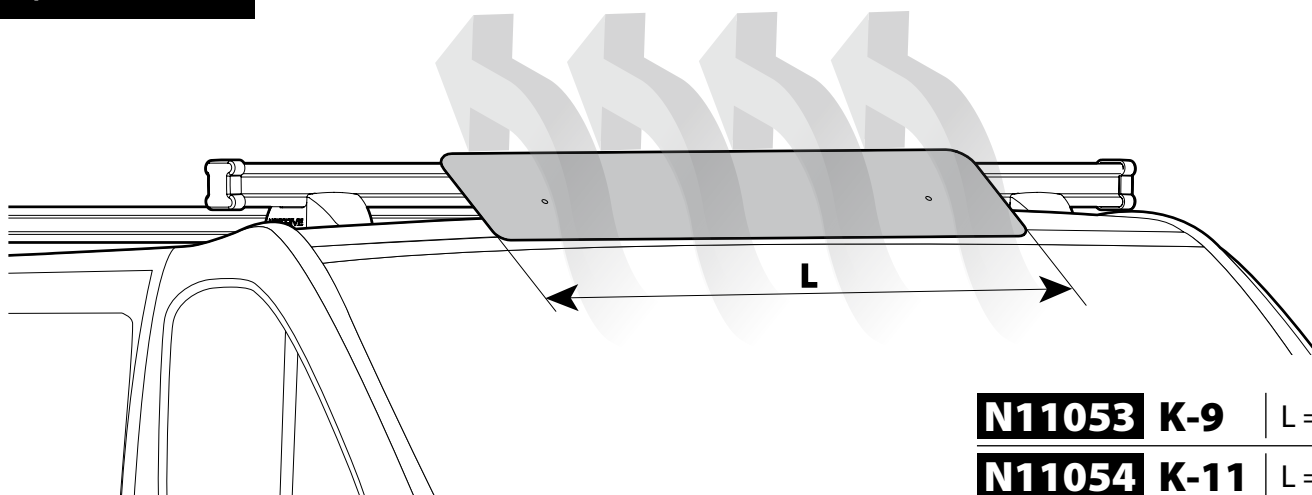


**N11001 K-1**



**N11002 K-2**

## Spoiler

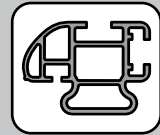


**N11053 K-9** | L = 95 cm

**N11054 K-11** | L = 110 cm

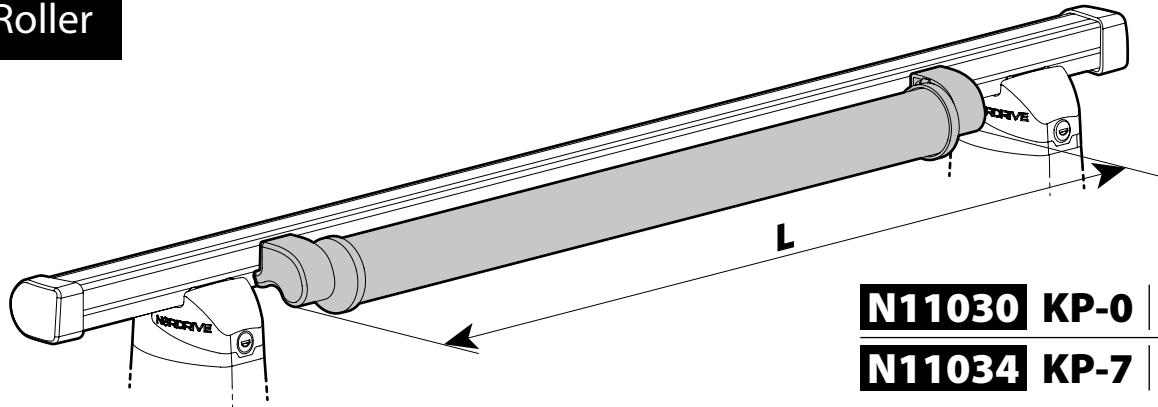
**OPTIONALS** PER / FOR / FÜR:

# Kargo-Plus series



Alluminio / Aluminium

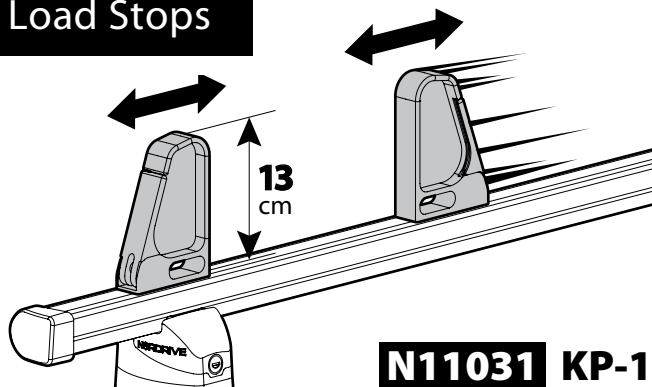
## Kargo Roller



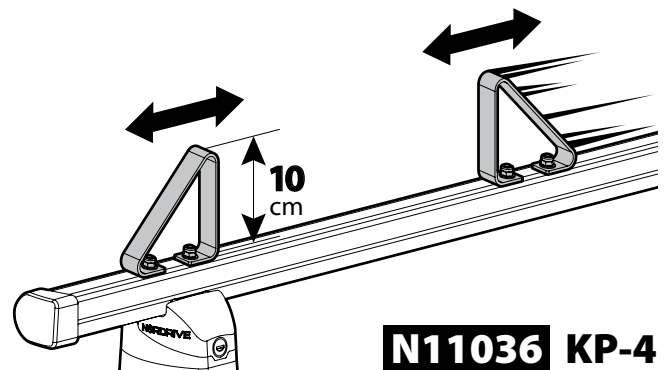
**N11030 KP-0** | L = 64 cm

**N11034 KP-7** | L = 96 cm

## Load Stops

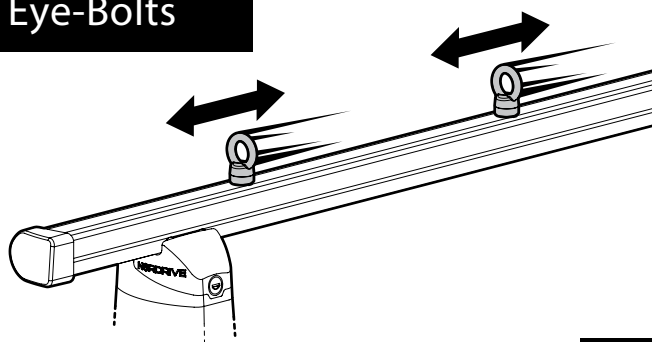


**N11031 KP-1**

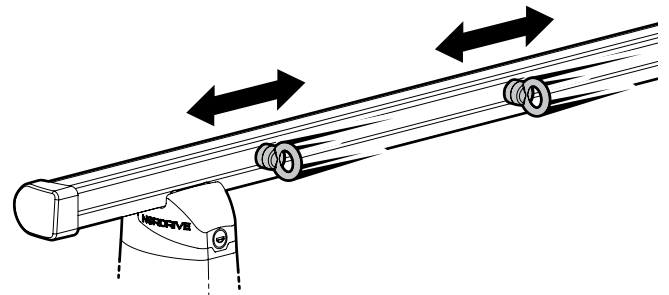


**N11036 KP-4**

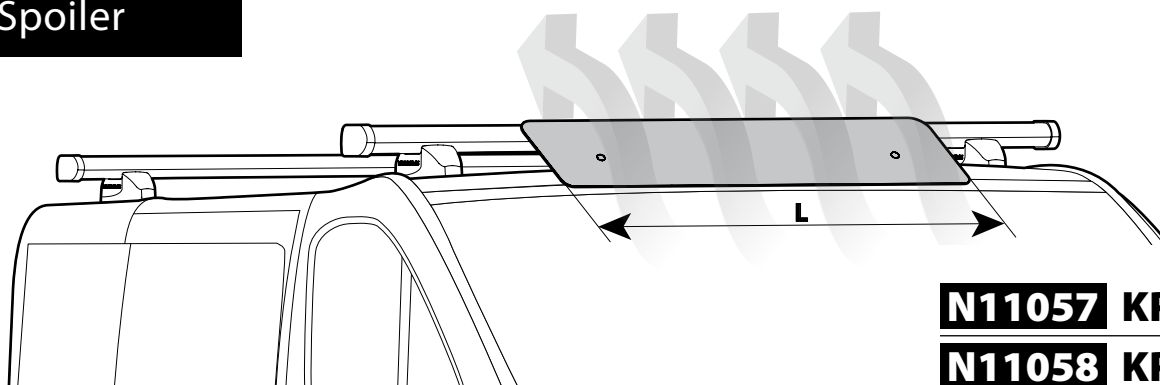
## Eye-Bolts



**N11033 KP-3**



## Spoiler



**N11057 KP-9** | L = 95 cm

**N11058 KP-11** | L = 110 cm

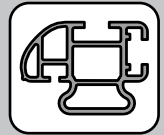
**OPTIONALS** PER / FOR / FÜR:

**Kargo** series



Acciaio / Steel

**Kargo-Plus** series



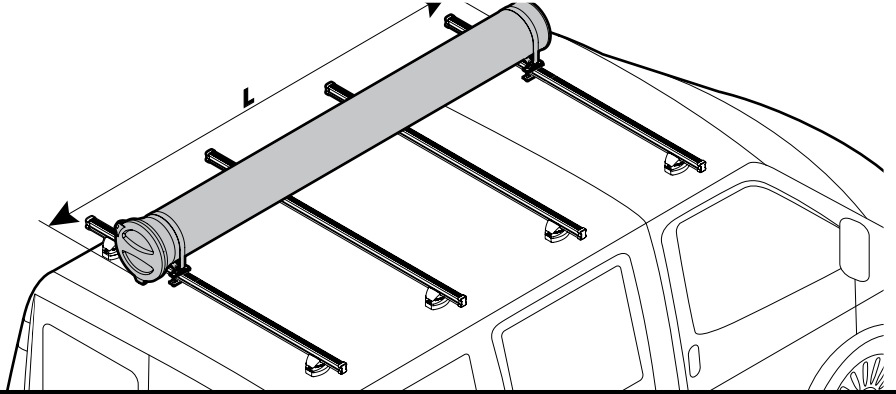
Alluminio / Aluminium

**Kargo Tube**

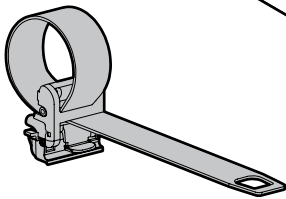
**N11050 T200** | L = 205 cm

**N11051 T300** | L = 305 cm

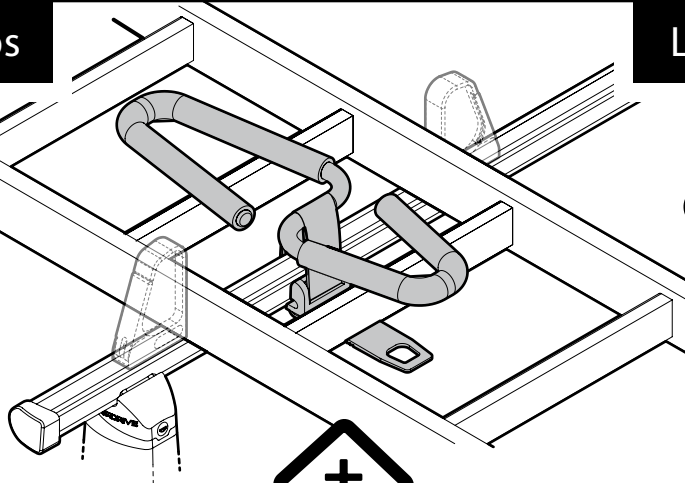
**N11052 T400** | L = 405 cm



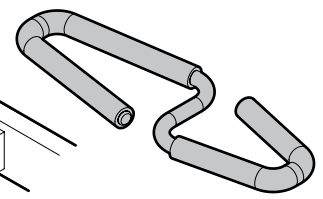
**Ladder Holder Straps**



**N11065 U-5**

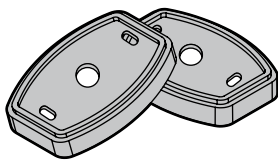


**Ladder Step Adapter**



**N11067 U-6**

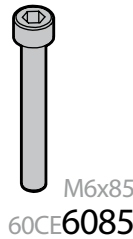
RICHIESTO  
REQUIRED  
REQUIS  
ERFORDERLICH  
NECESSARIO



Art. **N99962**

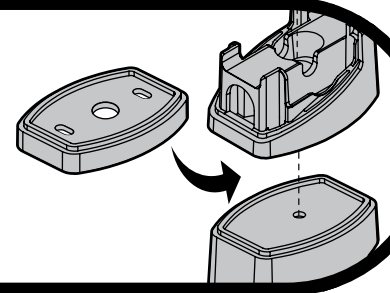
**2** = **x1**  
bars

**4** = **x2**  
bars



**2** = **x4**  
bars

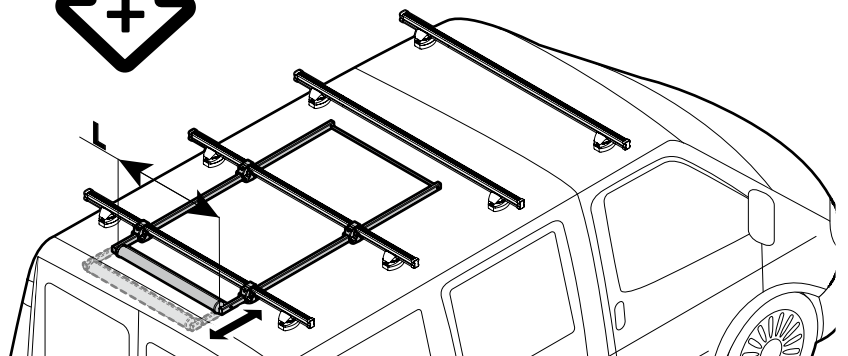
**4** = **x8**  
bars



**Extension Roller**

**N11020 U-0** | L = 64 cm

**N11021 U-7** | L = 96 cm



- (I) Lotto di produzione da comunicare per eventuali ricambi
- (GB) Production lot number to be communicated for any spare parts
- (F) Lot de production à communiquer pour toute pièce de rechange
- (D) Produktionscharge für eventuelle Ersatzteile
- (E) Lote de producción a comunicar por cualquier repuesto

**Lot.**

**NORDRIVE®**  
TRANSPORT SOLUTIONS

**NORDRIVE® is a registered trademark of LAMPA S.p.A.**

Via G. Rossa 53/55, 46019 Viadana (MN) ITALY

Tel. +39 0375 820700

UNI EN ISO 9001:2015 Certified Company

service@lampa.it

www.nordrive.it www.lampa.it