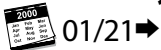


Art. **N30413**

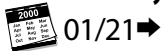
**VOLKSWAGEN Caddy**



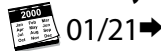
**VOLKSWAGEN Caddy Life**



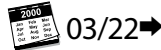
**VOLKSWAGEN Caddy Maxi**



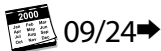
**VOLKSWAGEN Caddy Maxi Life**



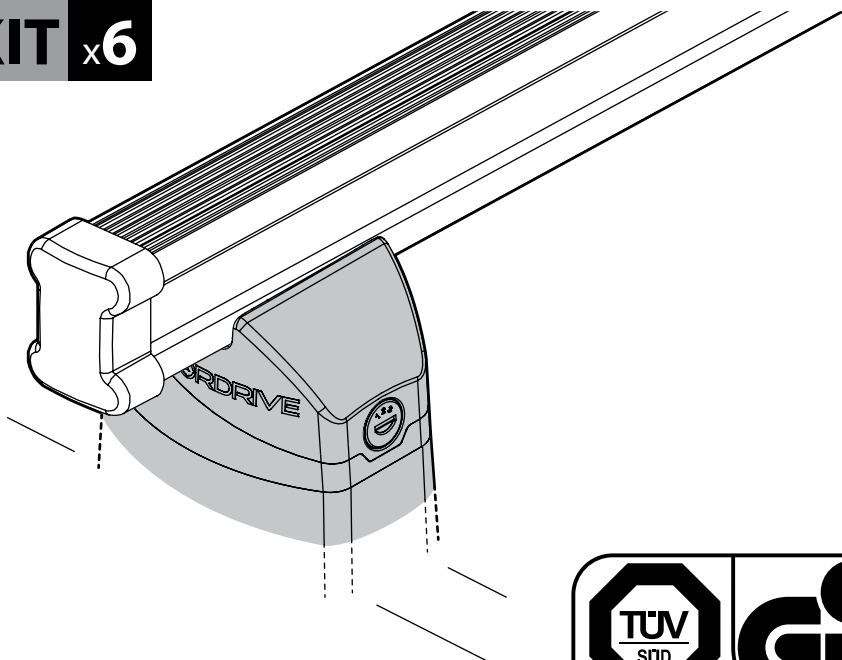
**FORD Tourneo Connect**



**FORD Transit Connect**



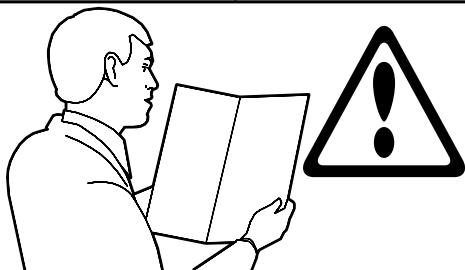
**KIT x6**



✓ L1 = 2755mm



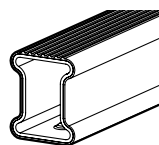
✓ L2 = 2970 mm



- ① ADATTO PER
- Ⓒ SUITABLE FOR
- Ⓕ INDIQUÉ POUR
- Ⓓ GEEIGNET FÜR
- Ⓔ ADECUADA PARA

**NORDRIVE**  
**KARGO SERIES**

- ① ISTRUZIONI DI MONTAGGIO
- Ⓒ FITTING INSTRUCTIONS
- Ⓓ MONTAGEANLEITUNG
- Ⓕ INSTRUCTIONS DE MONTAGE
- Ⓔ ISTRUCCIONES DE MONTAJE
- Ⓖ INSTRUÇÕES DE MONTAGEM
- Ⓗ MONTAGE-INSTRUCTIES
- Ⓒ MONTERINGSANVISNING
- Ⓕ ASENNUSOHJE
- Ⓔ PAIGALDUSJUHEND
- Ⓕ STIPRINĀŠANAS INSTRUKCIJA
- Ⓕ PRITVIRTINIMO INSTRUKCIJOS
- Ⓕ INSTRUKCJA MONTAŻU
- Ⓕ Инструкции по установке
- Ⓕ NÁVOD NA MONTÁŽ
- Ⓕ NÁVOD NA MONTÁŽ
- Ⓕ NAVODILA ZA PRITRJEVANJE
- Ⓕ UPUTA ZA SASTAVLJANJE
- Ⓕ A FELSZERELÉS MÓDJA
- Ⓕ Οδηγίες συναρμολόγησης
- Ⓕ MONTAJ TALIMATLARL
- Ⓕ ИHCTPYKЦИИ ЗА MONTAЖ
- Ⓕ UPUTSTVA ZA MONTAŽU

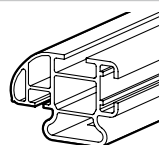


**Kargo**  
ACCIAIO  
Steel

- ① BARRE KARGO
- Ⓒ KARGO BARS
- Ⓕ BARRES KARGO
- Ⓓ DACH-LASTENTRÄGER KARGO
- Ⓔ BARRES KARGO

150cm

Art. **N10010** x3

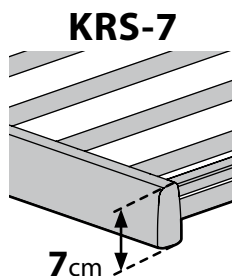


**Kargo-Plus**  
ALLUMINIO  
Aluminium

- ① BARRE KARGO-PLUS
- Ⓒ KARGO-PLUS BARS
- Ⓕ BARRES KARGO-PLUS
- Ⓓ DACH-LASTENTRÄGER KARGO-PLUS
- Ⓔ BARRES KARGO-PLUS

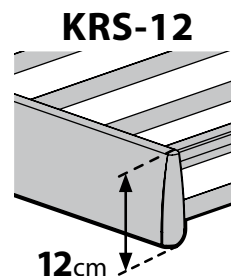
150cm

Art. **N10040** x3



**KRS-7**

7cm



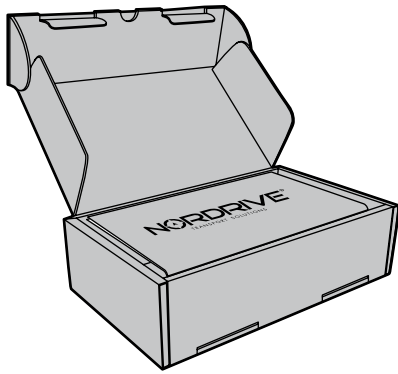
**KRS-12**

12cm

- ① CESTE PORTATUTTO KRS-7 / KRS-12
- Ⓒ KRS-7 / KRS-12 VAN ROOF RACKS
- Ⓕ GALERIE KRS-7 / KRS-12
- Ⓓ DACHKÖRBEIN KRS-7 / KRS-12
- Ⓔ BACAS KRS-7 / KRS-12

**NORDRIVE**<sup>®</sup>

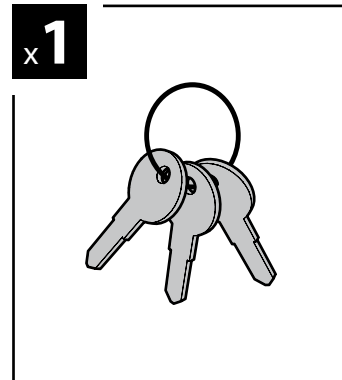
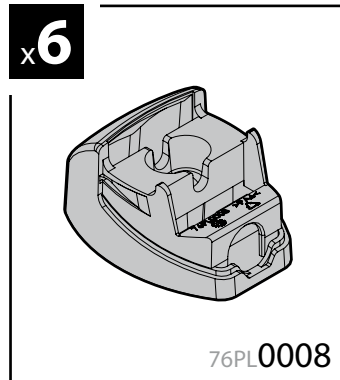
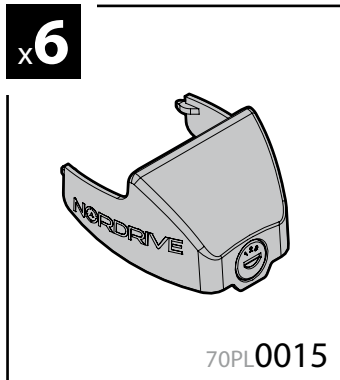
TRANSPORT SOLUTIONS



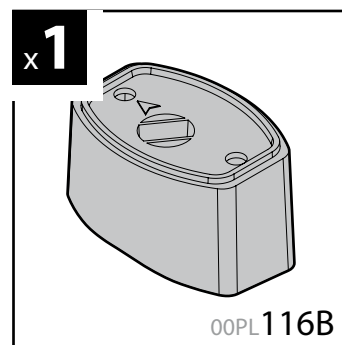
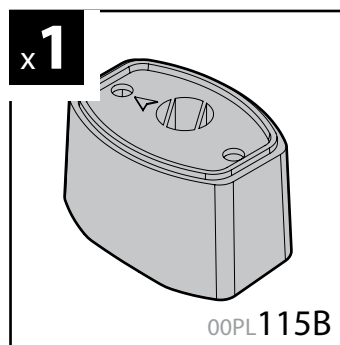
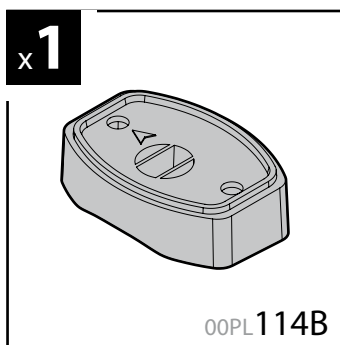
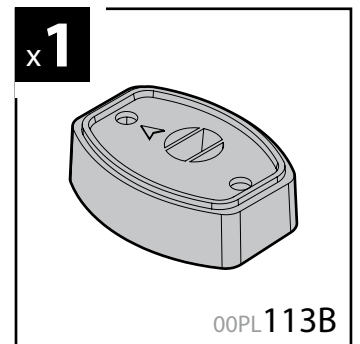
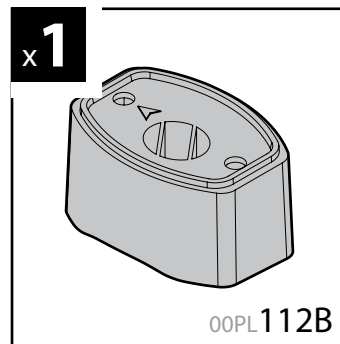
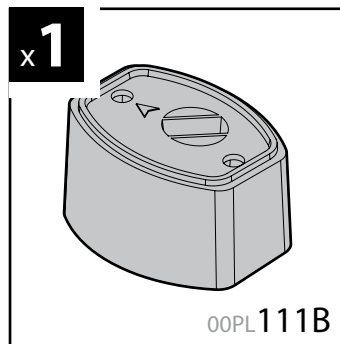
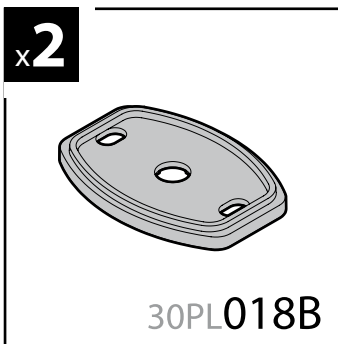
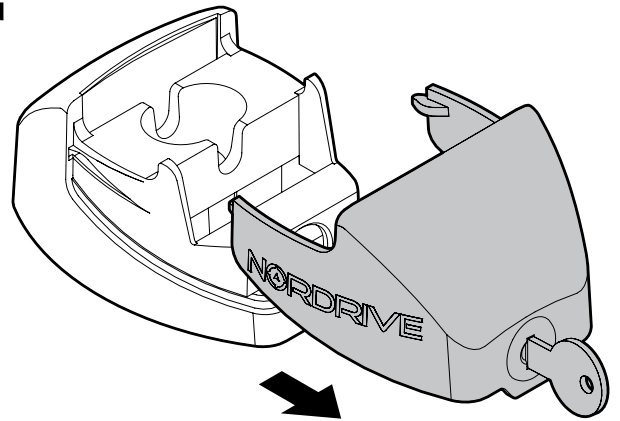
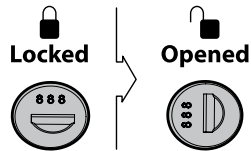
# NORDRIVE<sup>®</sup>

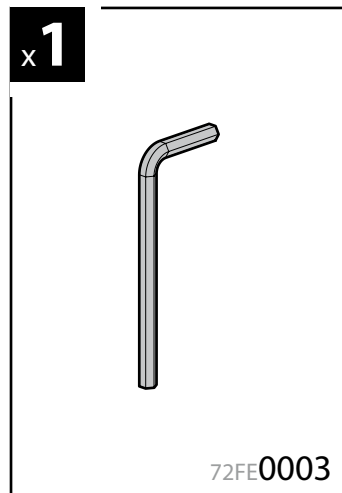
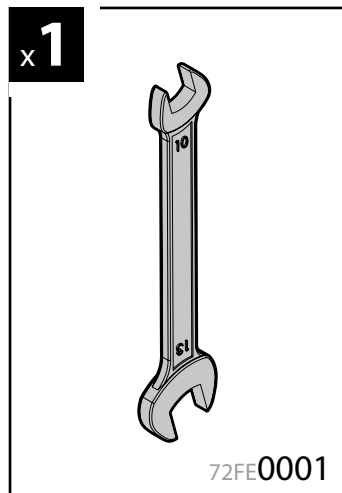
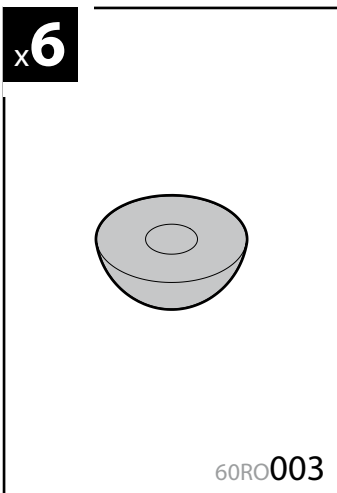
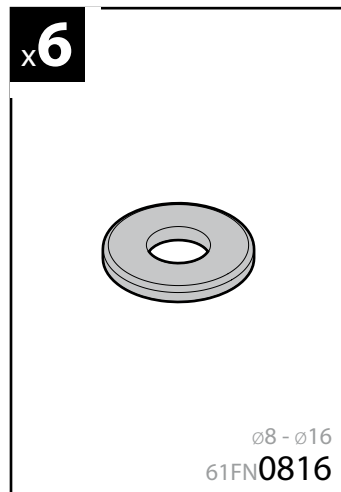
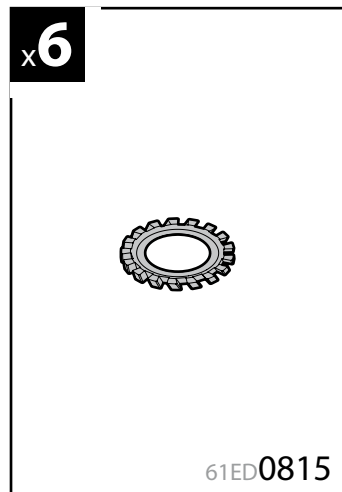
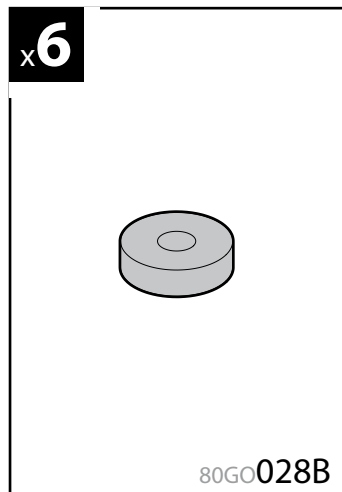
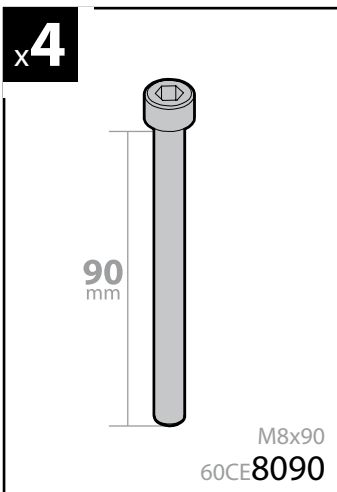
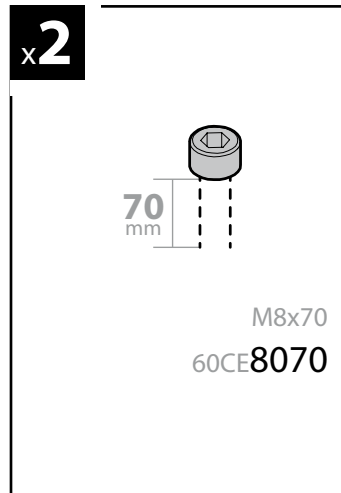
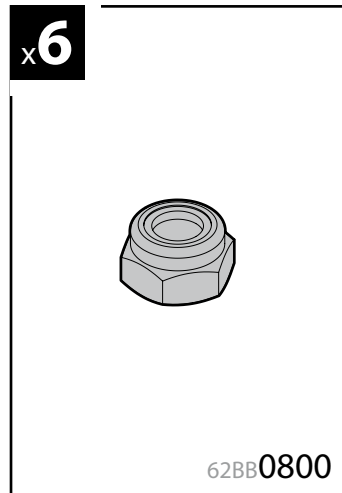
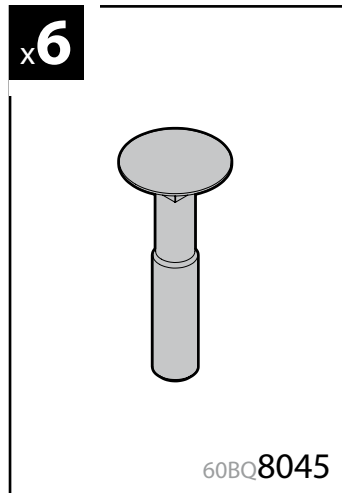
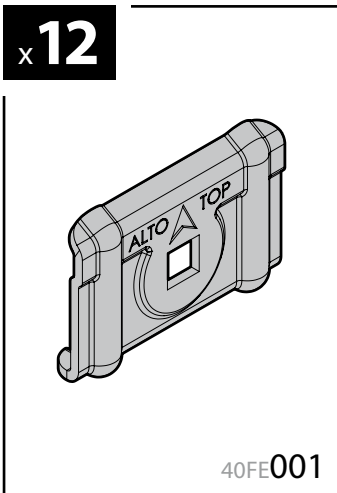
TRANSPORT SOLUTIONS

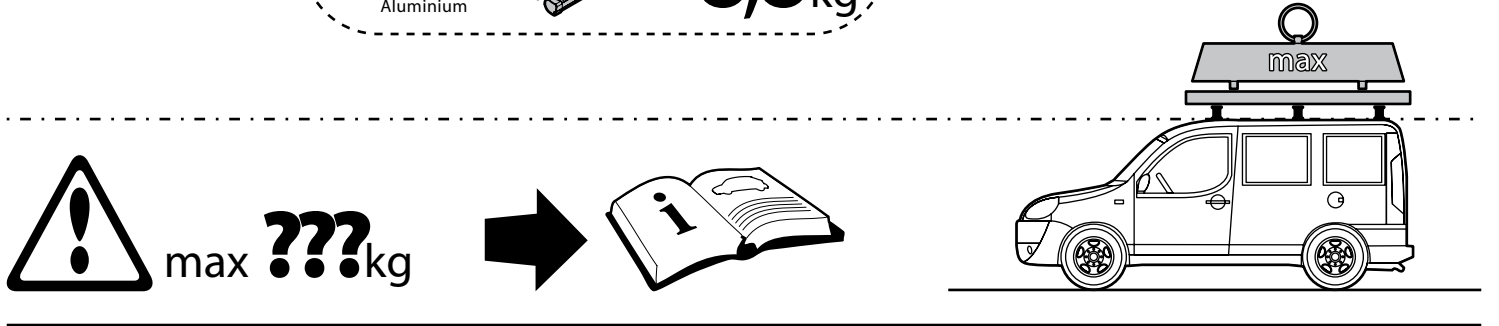
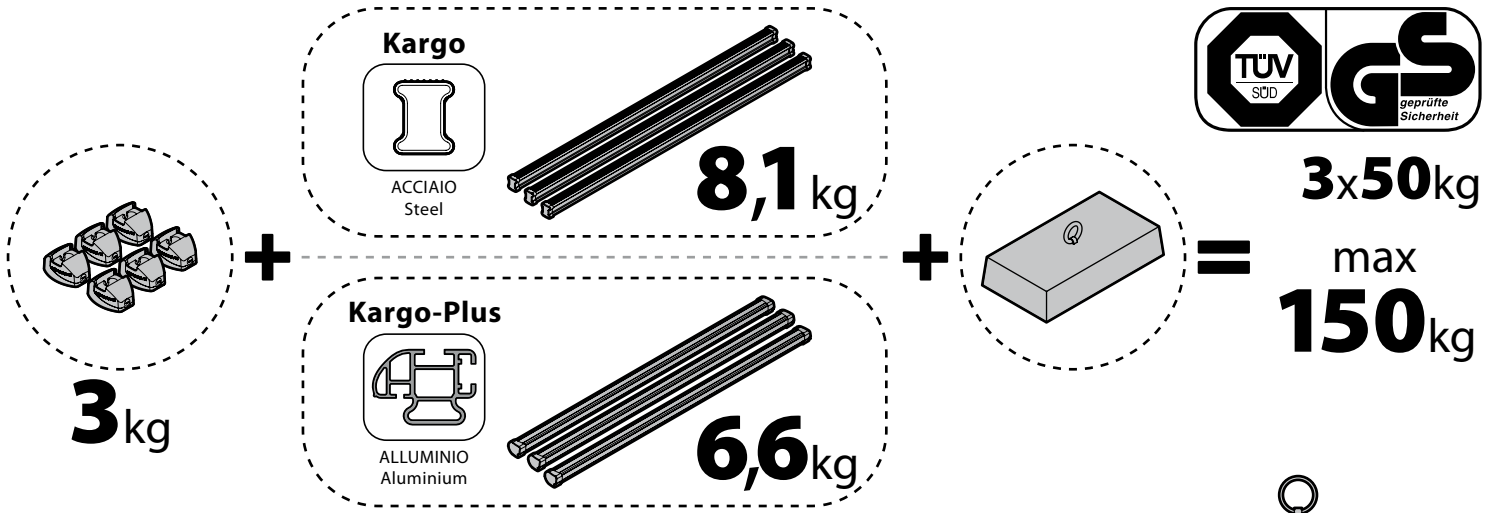
Art. **N30413**



**1 x Year**



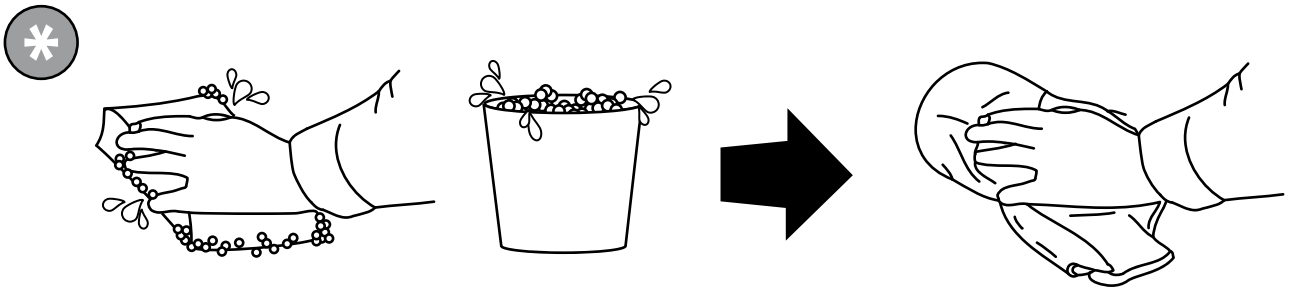
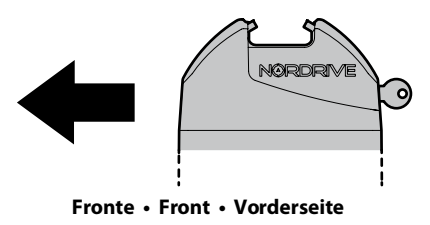
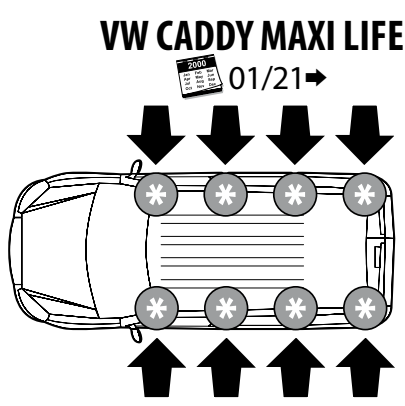
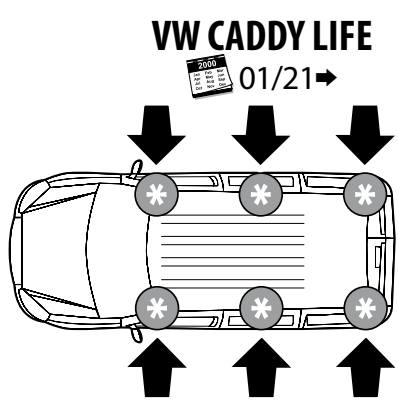




**SAFETY REGULATIONS**

Safety regulations

NORME DI SICUREZZA



(I) ISTRUZIONI DI MONTAGGIO  
 (GB) FITTING INSTRUCTIONS  
 (D) MONTAGEANLEITUNG  
 (F) INSTRUCTIONS DE MONTAGE  
 (E) INSTRUCCIONES DE MONTAJE  
 (P) INSTRUÇÕES DE MONTAGEM  
 (NL) MONTAGE-INSTRUCTIES  
 (S) MONTERINGSANVISNING

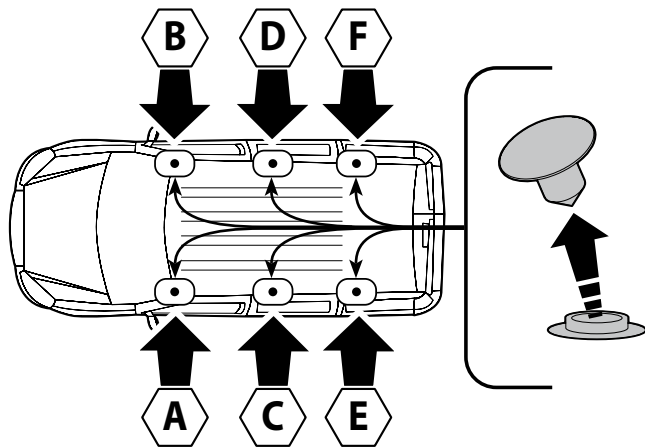
(FIN) ASENNUSOHJE  
 (EST) PAIGALDUSJUHEND  
 (LAT) STIPRINĀŠANAS INSTRUKCIJA  
 (LT) PRITVIRTINIMO INSTRUKCIJOS  
 (PL) INSTRUKCJA MONTAŻU  
 (RUS) Инструкции по установке  
 (CZ) NÁVOD NA MONTÁŽ  
 (SK) NÁVOD NA MONTÁŽ

(SLO) NAVODILA ZA PRITRJEVANJE  
 (HR) UPUTA ZA SASTAVLJANJE  
 (H) A FELSZERELÉS MÓDJA  
 (GR) Οδηγία συναρμολόγησης  
 (TR) MONTAJ TALIMATLARI  
 (BG) ИНСТРУКЦИИ ЗА МОНТАЖ  
 (SRB) UPUTSTVA ZA MONTAŽU

1

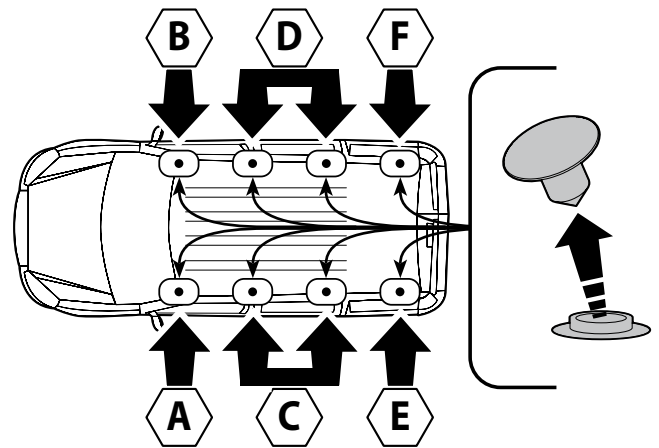
VOLKSWAGEN CADDY / CADDY LIFE

2000 01/21 →



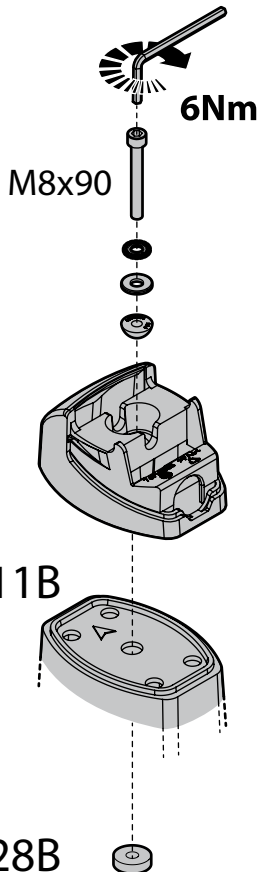
VOLKSWAGEN CADDY MAXI / MAXI LIFE

2000 01/21 →



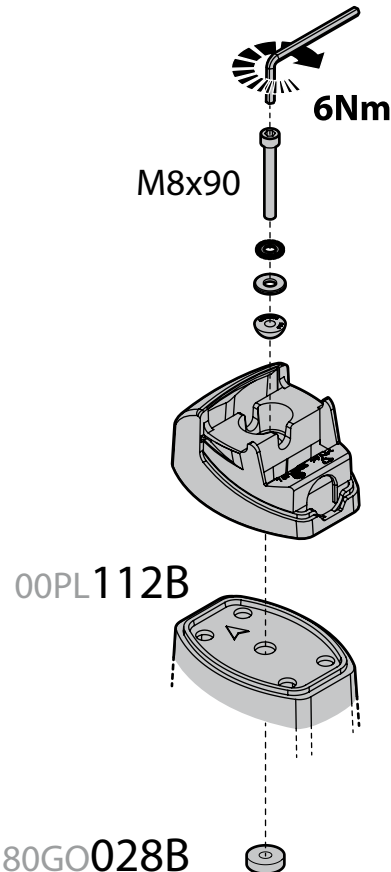
2

A



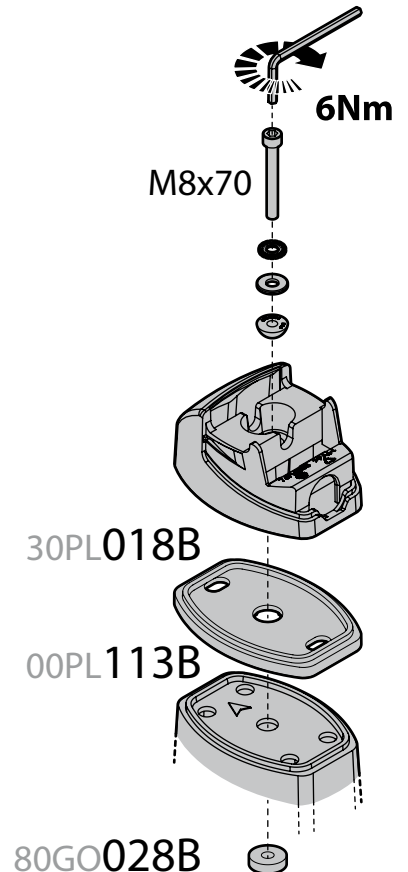
2

B



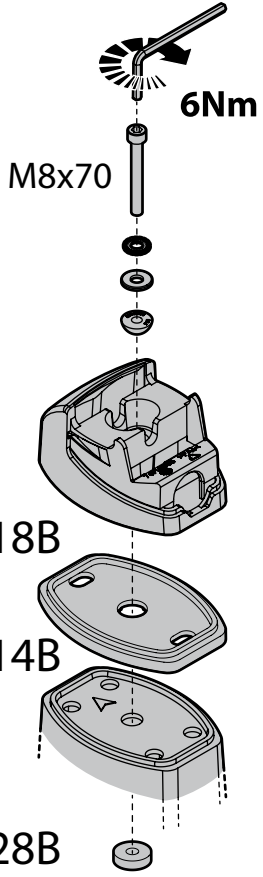
2

C



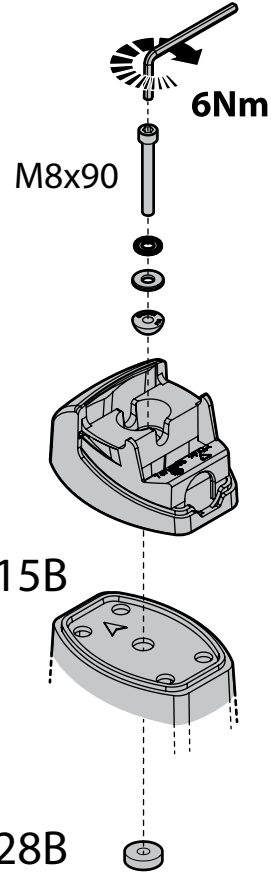
2

D



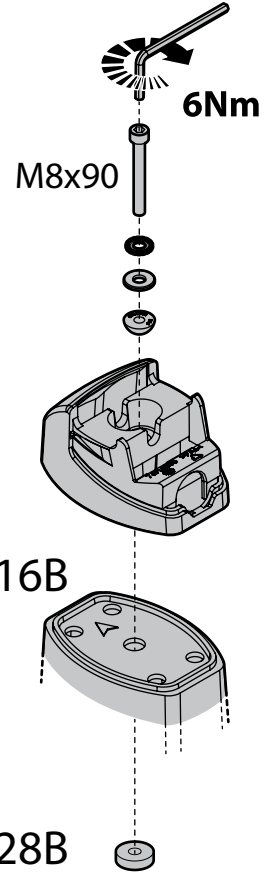
2

E



2

F



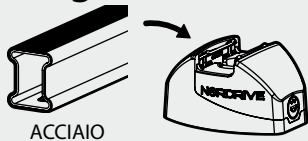


# ATTENZIONE WARNING



## Kargo

# A

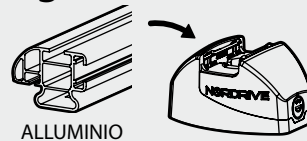


ACCIAIO  
Steel

MONTAGGIO DIRETTO  
SUI KIT PIEDI SPECIFICI  
DIRECTLY ON FOOT KITS  
BEFESTIGUNGSFÜSSE

## Kargo-Plus

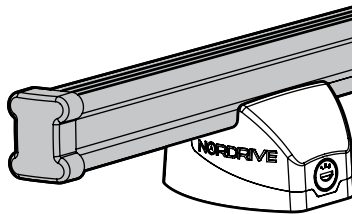
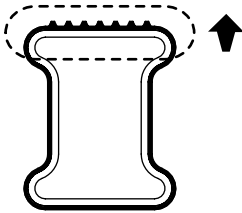
# B



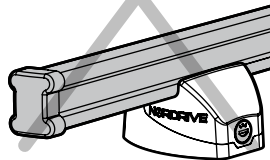
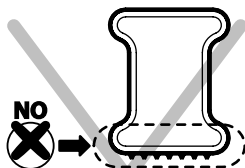
ALLUMINIO  
Aluminium

MONTAGGIO DIRETTO  
SUI KIT PIEDI SPECIFICI  
DIRECTLY ON FOOT KITS  
BEFESTIGUNGSFÜSSE

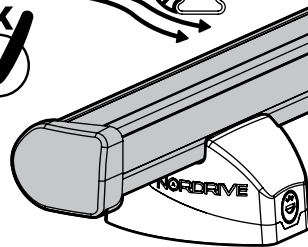
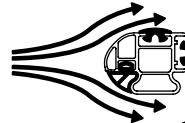
OK ✓



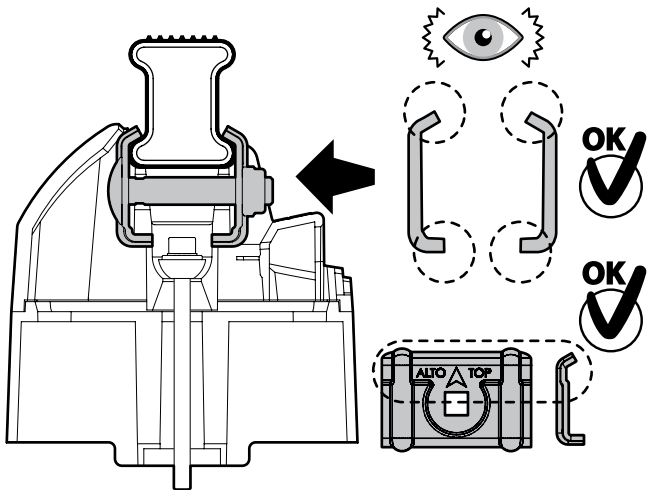
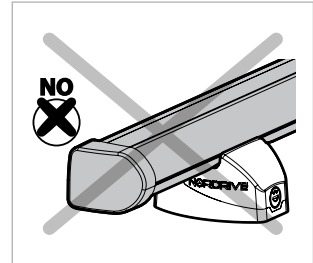
NO ✗



OK ✓

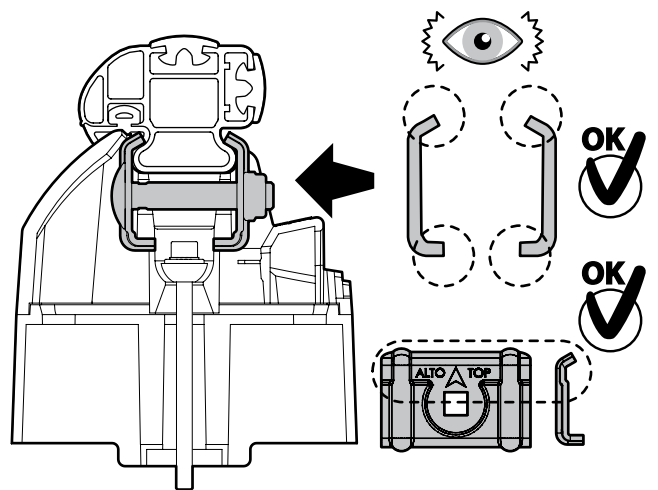


NO ✗



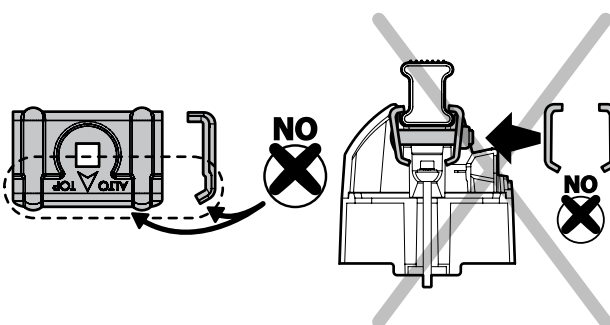
OK ✓

OK ✓



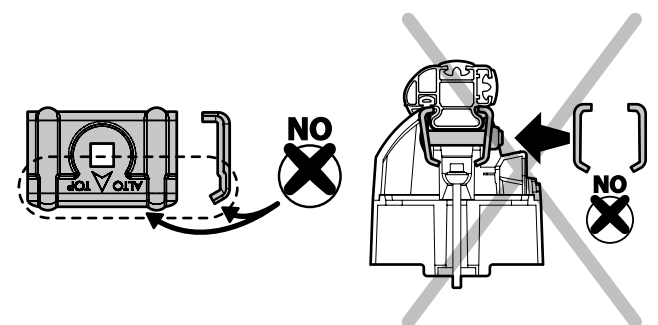
OK ✓

OK ✓



NO ✗

NO ✗

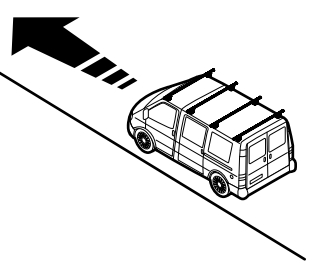
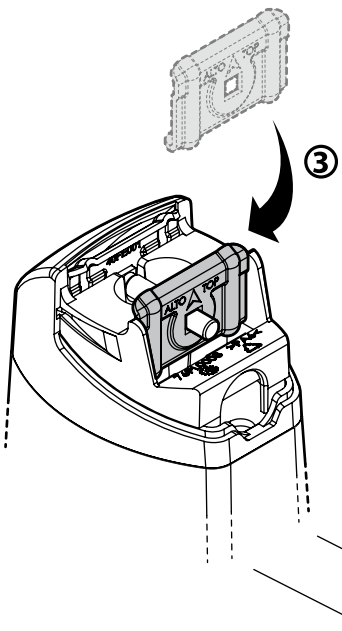
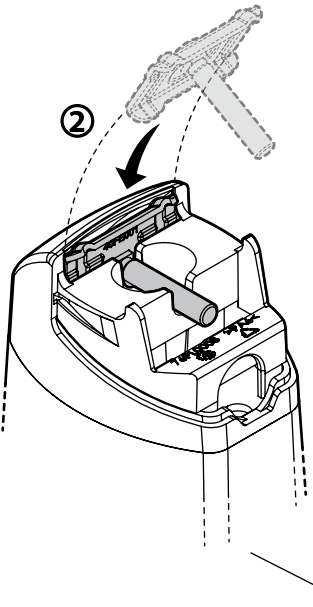
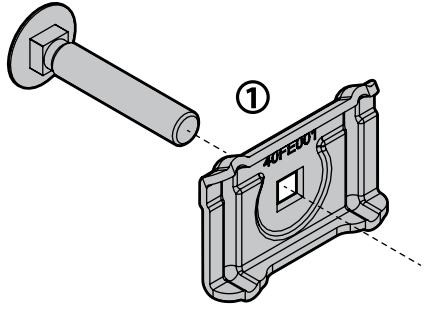


NO ✗

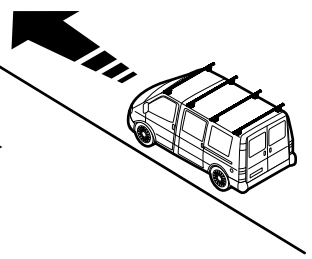
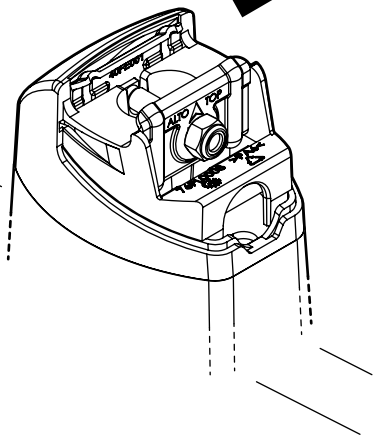
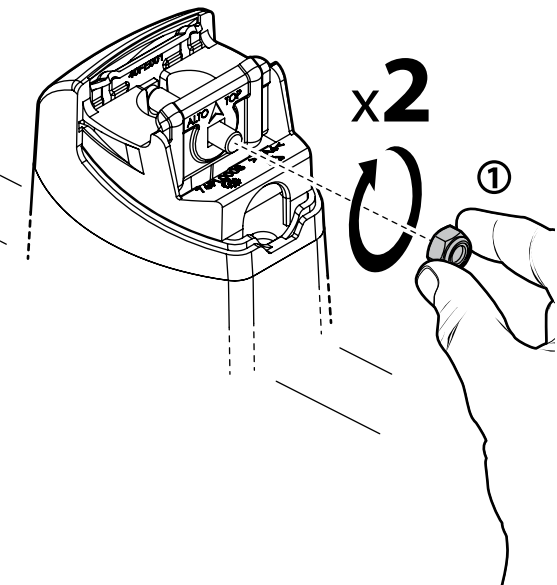
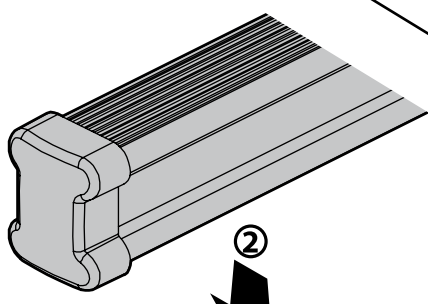
NO ✗



3



4





5

**A**

**Kargo**

ACCIAIO  
Steel

Diagram A illustrates the installation of the Kargo steel bar. It shows a cross-section of the steel bar and a top-down view of the bar being lowered onto a car's roof rails. A level is used to ensure the bar is straight. Screws (2) are used to secure the bar to the rails. A large downward arrow (1) indicates the direction of installation.

**B**

**Kargo-Plus**

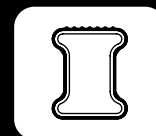
ALLUMINIO  
Aluminium

Diagram B illustrates the installation of the Kargo-Plus aluminium bar. It shows a cross-section of the aluminium bar and a top-down view of the bar being lowered onto a car's roof rails. A level is used to ensure the bar is straight. Screws (1) are used to secure the bar to the rails. A large downward arrow (3) indicates the direction of installation. A separate step (2) shows the bar being cut to length with scissors.

6

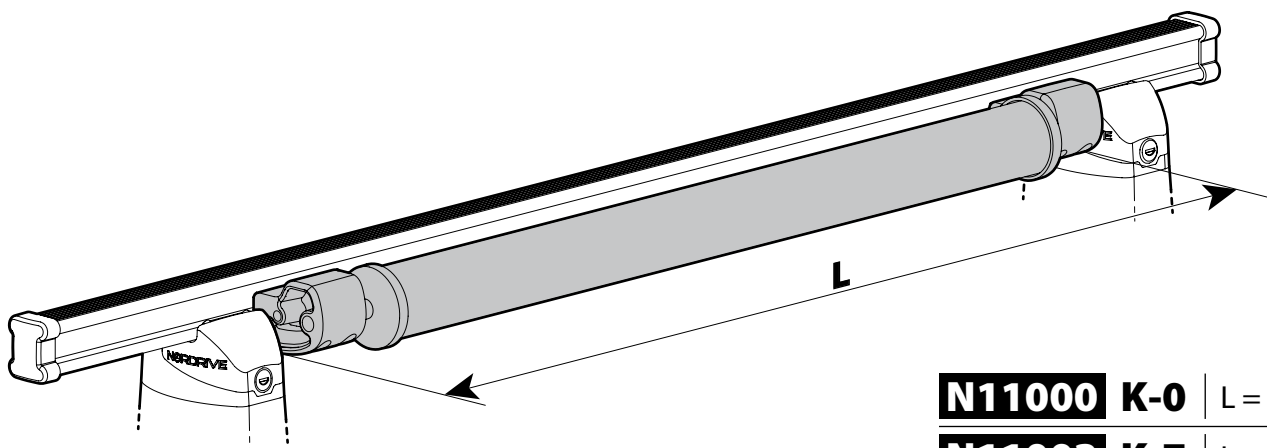
Diagram 6 illustrates the locking mechanism of the Kargo bar. It shows a close-up of the bar's end with a wrench being used to turn a lock nut. A curved arrow (1) indicates the direction of rotation, with a torque value of 8Nm. A second arrow (2) points to the lock nut. A legend shows three states: "Opened" (lock nut turned counter-clockwise), "Lock" (lock nut turned clockwise), and "Locked" (lock nut turned clockwise). An inset image shows a van with the bar installed on its roof.

# Kargo series



Acciaio / Steel

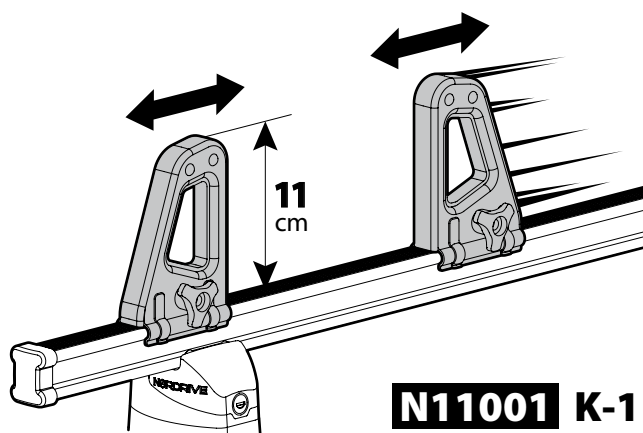
## Kargo Roller



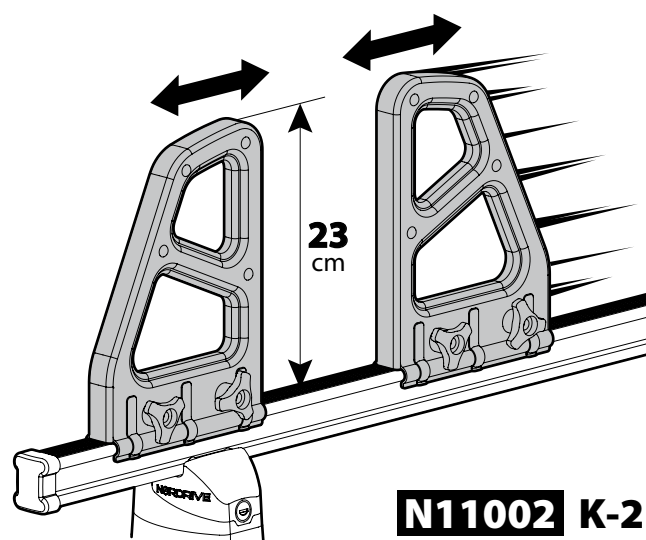
**N11000 K-0** | L = 64 cm

**N11003 K-7** | L = 96 cm

## Load Stops

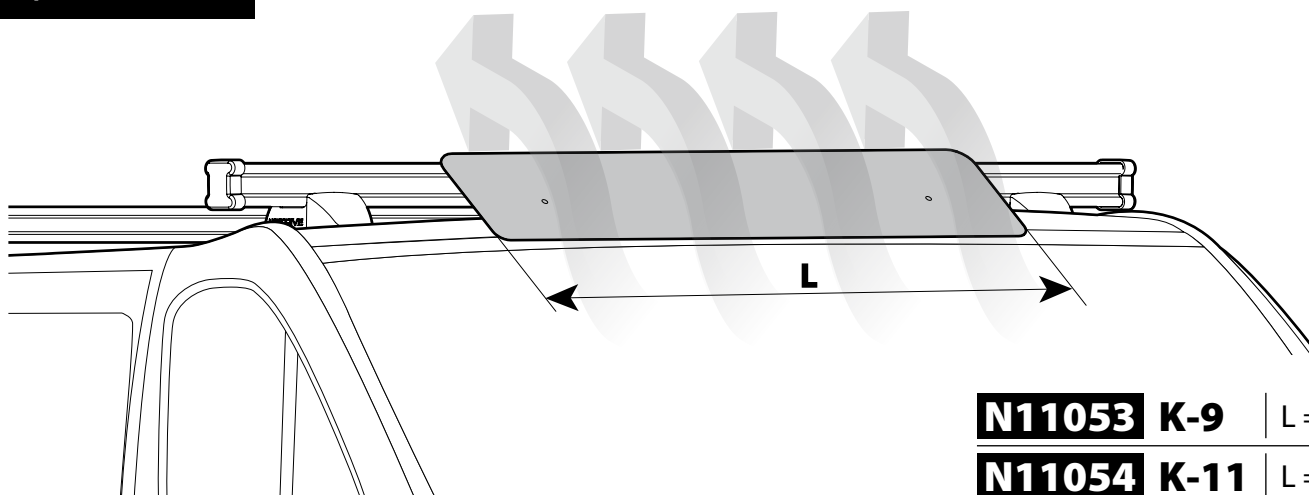


**N11001 K-1**



**N11002 K-2**

## Spoiler

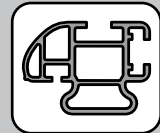


**N11053 K-9** | L = 95 cm

**N11054 K-11** | L = 110 cm

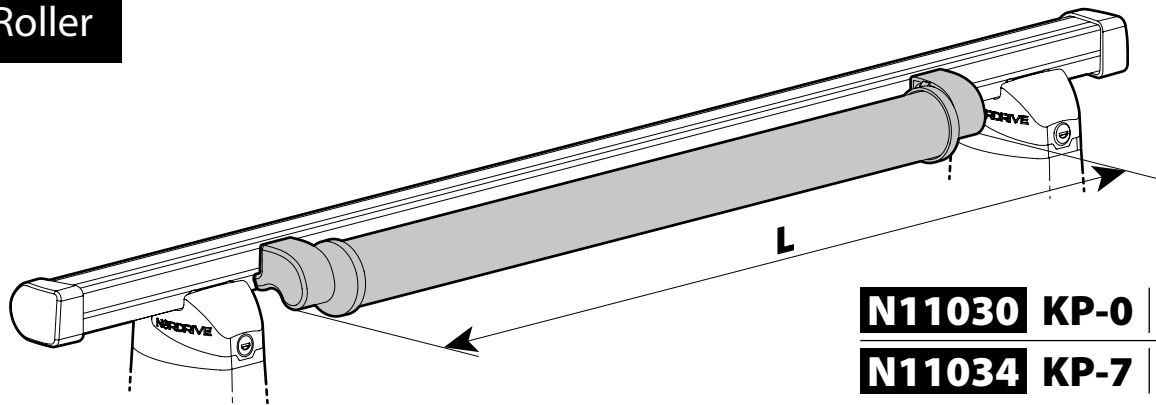
**OPTIONALS** PER / FOR / FÜR:

# Kargo-Plus series



Alluminio / Aluminium

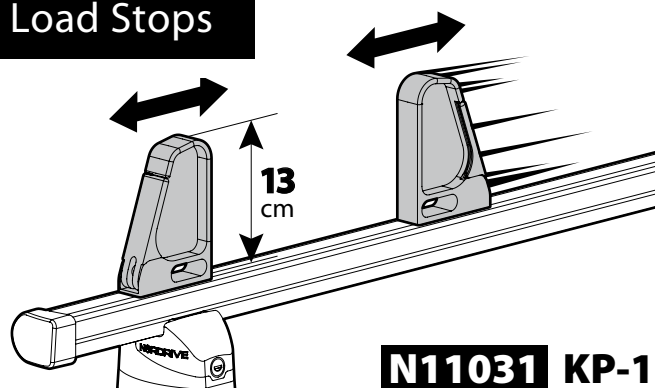
## Kargo Roller



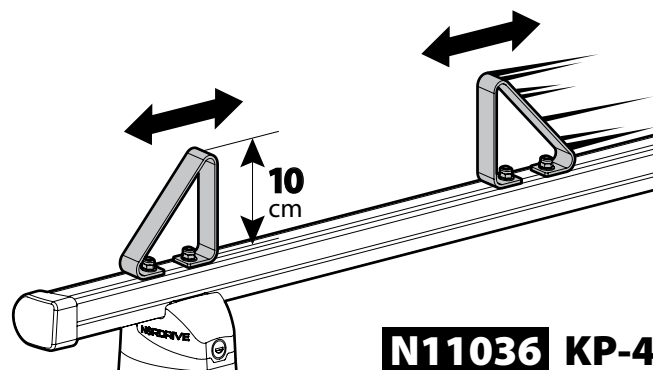
**N11030 KP-0** | L = 64 cm

**N11034 KP-7** | L = 96 cm

## Load Stops

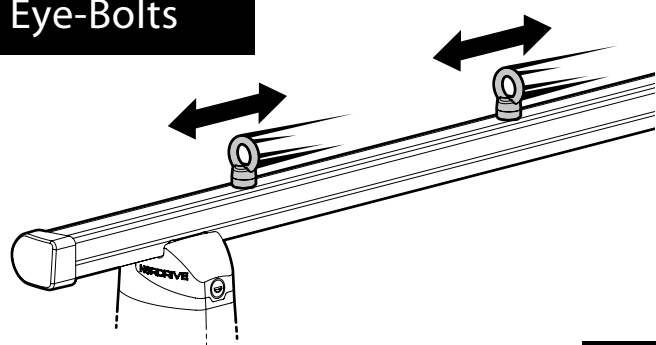


**N11031 KP-1**

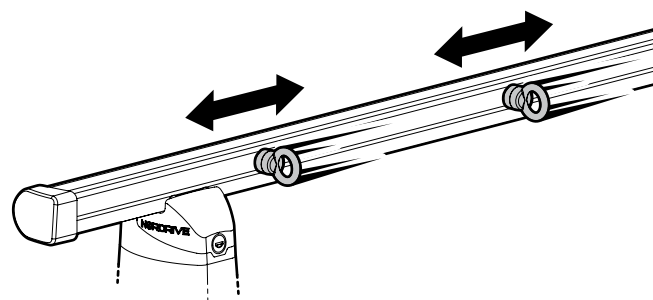


**N11036 KP-4**

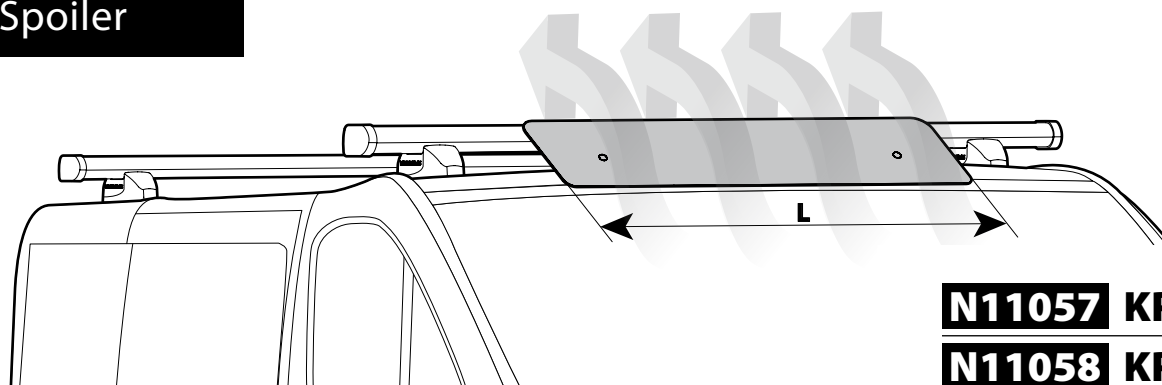
## Eye-Bolts



**N11033 KP-3**



## Spoiler



**N11057 KP-9** | L = 95 cm

**N11058 KP-11** | L = 110 cm

**OPTIONALS** PER / FOR / FÜR:

# Kargo series



Acciaio / Steel

# Kargo-Plus series



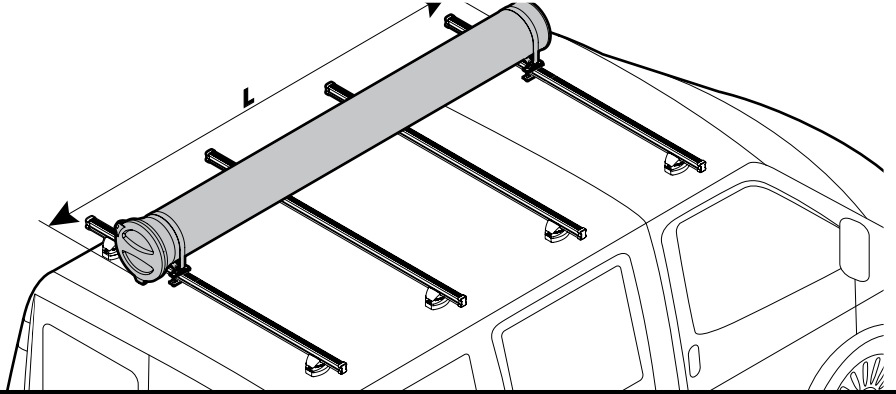
Alluminio / Aluminium

## Kargo Tube

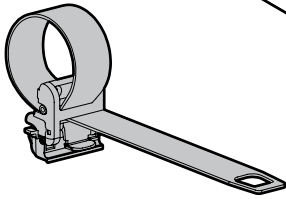
**N11050 T200** | L = 205 cm

**N11051 T300** | L = 305 cm

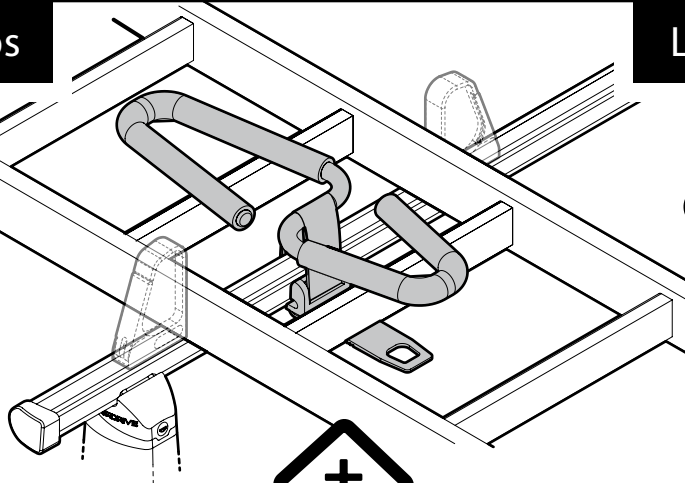
**N11052 T400** | L = 405 cm



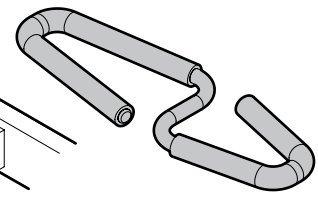
## Ladder Holder Straps



**N11065 U-5**

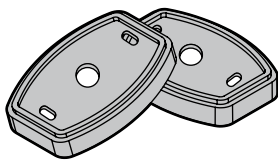


## Ladder Step Adapter



**N11067 U-6**

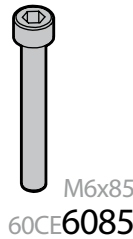
RICHIESTO  
REQUIRED  
REQUIS  
ERFORDERLICH  
NECESSARIO



Art. **N99962**

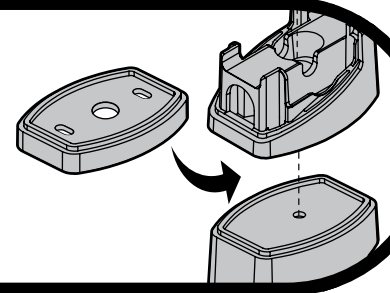
**2** bars = **x1**

**4** bars = **x2**



**2** bars = **x4**

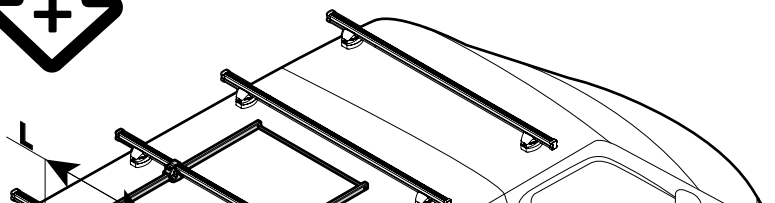
**4** bars = **x8**



## Extension Roller

**N11020 U-0** | L = 64 cm

**N11021 U-7** | L = 96 cm



- I** Lotto di produzione da comunicare per eventuali ricambi
- GB** Production lot number to be communicated for any spare parts
- F** Lot de production à communiquer pour toute pièce de rechange
- D** Produktionscharge für eventuelle Ersatzteile
- E** Lote de producción a comunicar por cualquier repuesto

**Lot.**

**NORDRIVE®**  
TRANSPORT SOLUTIONS

**NORDRIVE® is a registered trademark of LAMPA S.p.A.**

Via G. Rossa 53/55, 46019 Viadana (MN) ITALY

Tel. +39 0375 820700

UNI EN ISO 9001:2015 Certified Company

service@lampa.it

[www.nordrive.it](http://www.nordrive.it) [www.lampa.it](http://www.lampa.it)