

Art. **N30443**

**FORD TOURNEO
CUSTOM**

2000
08/23 →

**FORD TRANSIT
CUSTOM**

2000
09/23 →

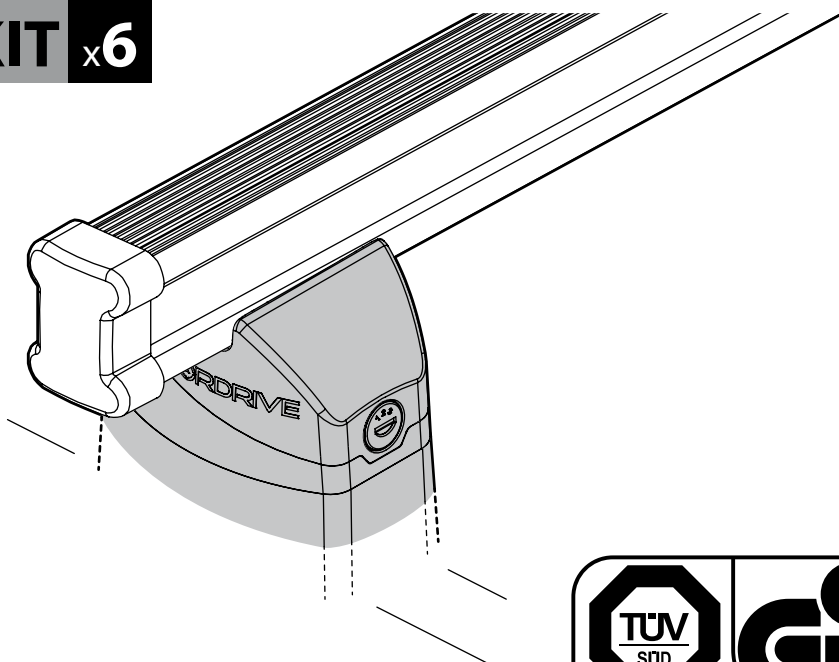


L1 H1



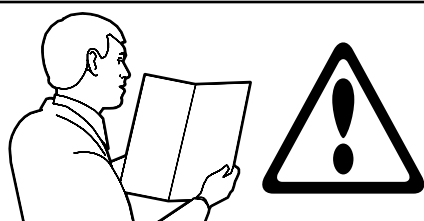
L2 H1

KIT x6

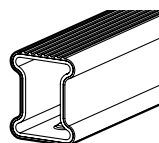


- ⓘ ADATTO PER
- ⒸB SUITABLE FOR
- Ⓕ INDUQUÉ POUR
- Ⓓ GEEIGNET FÜR
- Ⓔ ADECUADA PARA

**NORDRIVE
KARGO SERIES**



- ⓘ ISTRUZIONI DI MONTAGGIO
- ⒸB FITTING INSTRUCTIONS
- Ⓓ MONTAGEANLEITUNG
- Ⓕ INSTRUCTIONS DE MONTAGE
- Ⓔ ISTRUCCIONES DE MONTAJE
- Ⓖ INSTRUÇÕES DE MONTAGEM
- ⒽL MONTAGE-INSTRUCTIES
- Ⓘ MONTERINGSANVISNING
- Ⓙ ASENNUSOHJE
- ⓪ PAIGALDUSJUHEND
- ⓁAT STIPRINĀŠANAS INSTRUKCIJA
- ⓁT PRITVIRTINIMO INSTRUKCIJOS
- Ⓟ INSTRUKCJA MONTAŻU
- ⓇUS Инструкции по установке
- ⒸZ NÁVOD NA MONTÁŽ
- ⒸK NÁVOD NA MONTÁŽ
- ⒸLO NAVODILA ZA PRITRJEVANJE
- ⒸR UPUTA ZA SASTAVLJANJE
- ⒸH A FELSZERELÉS MÓDJA
- ⒸR Οδηγίες συναρμολόγησης
- ⒸR MONTAJ TALIMATLARL
- ⒸG ИНСТРУКЦИИ ЗА МОНТАЖ
- ⒸRB UPUTSTVA ZA MONTAŽU

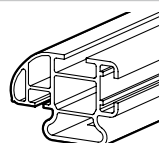


Kargo
ACCIAIO
Steel

- ⓘ BARRE KARGO
- ⒸB KARGO BARS
- Ⓕ BARRES KARGO
- Ⓓ DACH-LASTENTRÄGER KARGO
- Ⓔ BARRES KARGO

150cm

Art. **N10010** x3

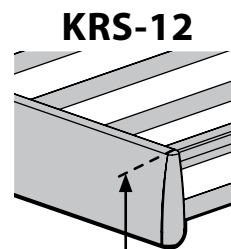
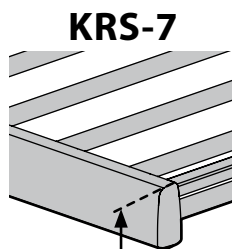


Kargo-Plus
ALLUMINIO
Aluminium

- ⓘ BARRE KARGO-PLUS
- ⒸB KARGO-PLUS BARS
- Ⓕ BARRES KARGO-PLUS
- Ⓓ DACH-LASTENTRÄGER KARGO-PLUS
- Ⓔ BARRES KARGO-PLUS

150cm

Art. **N10040** x3



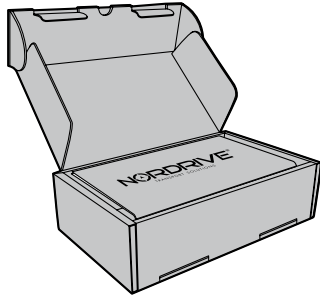
7cm

12cm

- ⓘ CESTE PORTATUTTO KRS-7 / KRS-12
- ⒸB KRS-7 / KRS-12 VAN ROOF RACKS
- Ⓕ GALERIE KRS-7 / KRS-12
- Ⓓ DACHKÖRBEIN KRS-7 / KRS-12
- Ⓔ BACAS KRS-7 / KRS-12

NORDRIVE[®]

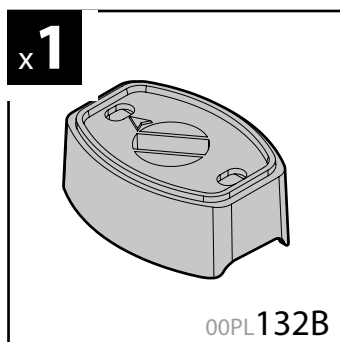
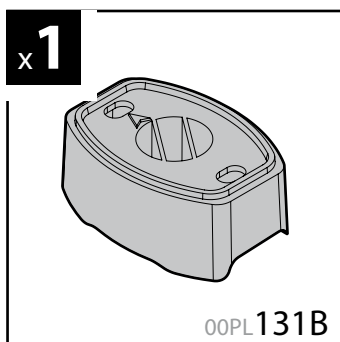
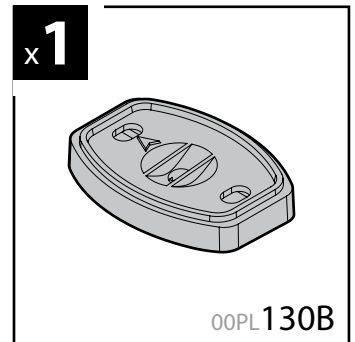
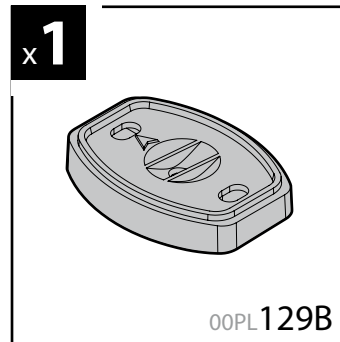
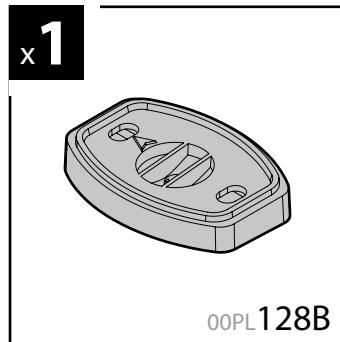
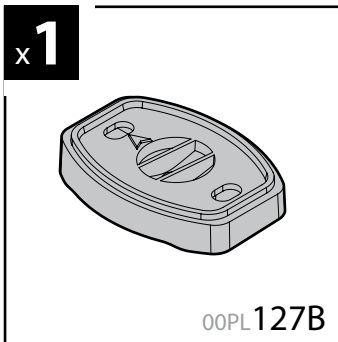
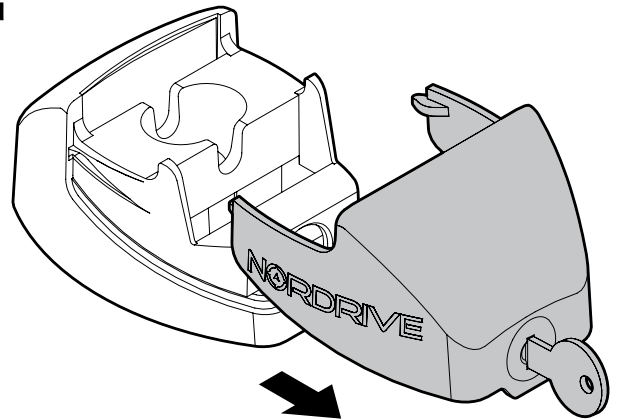
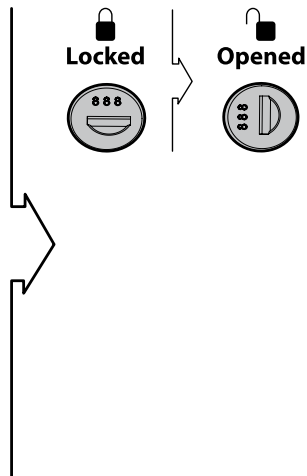
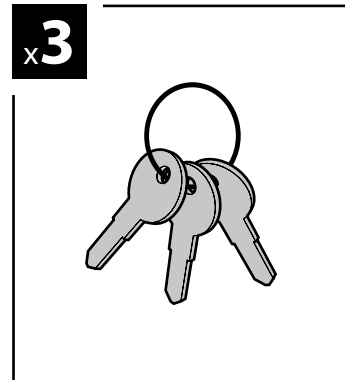
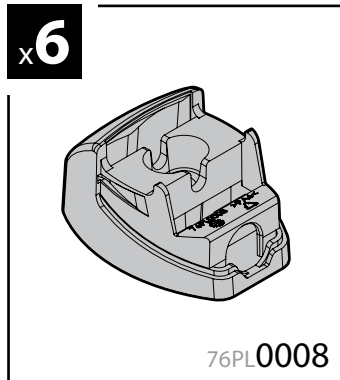
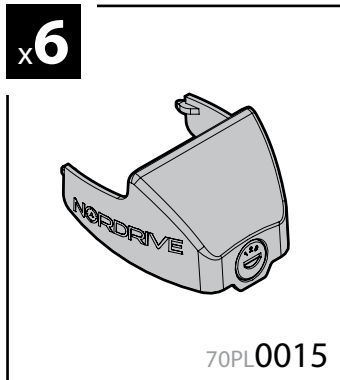
TRANSPORT SOLUTIONS

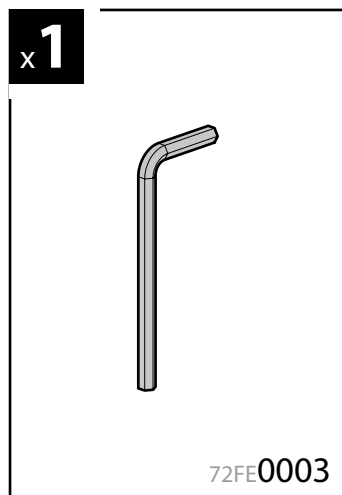
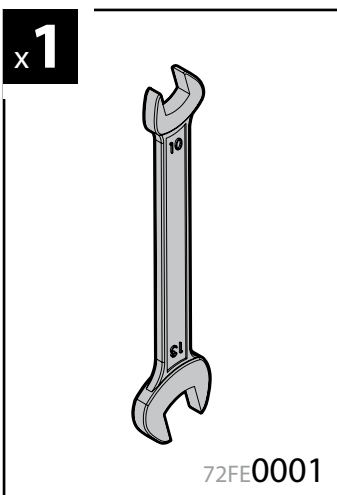
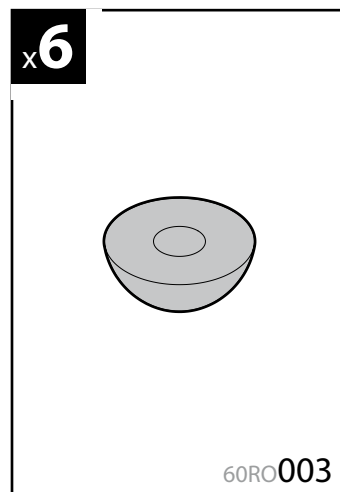
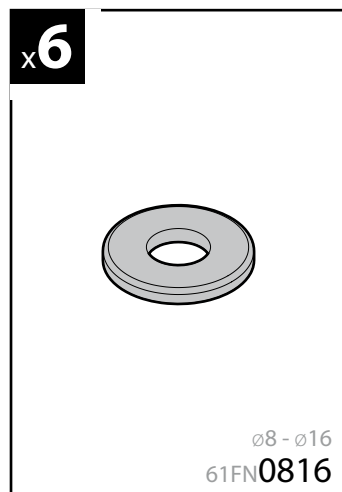
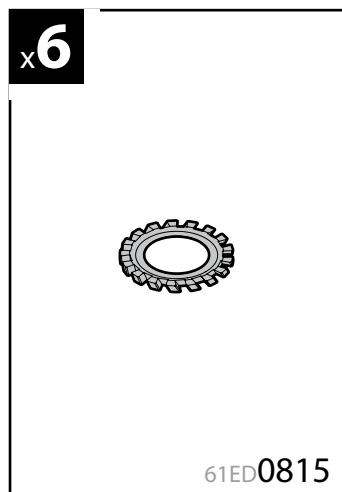
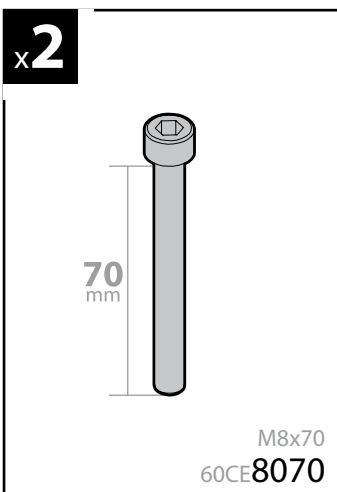
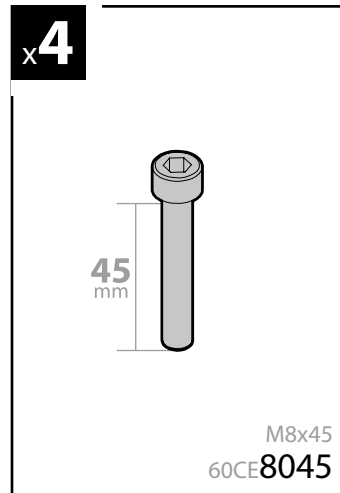
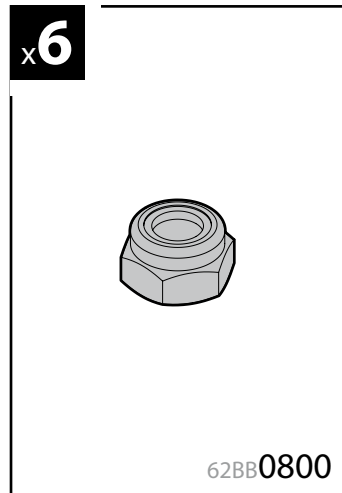
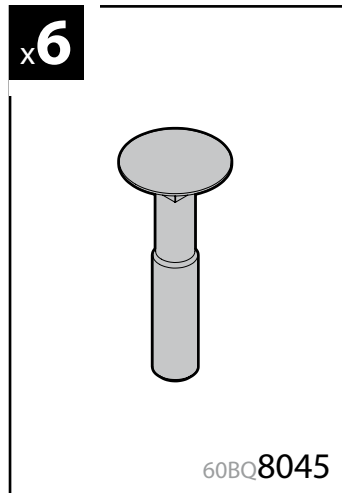
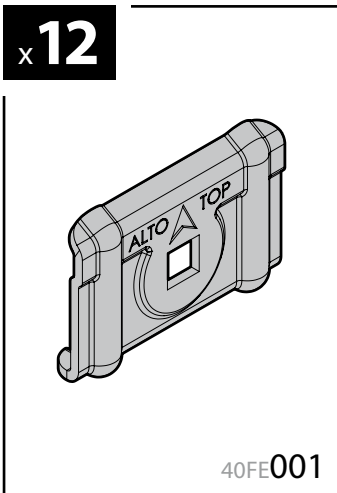


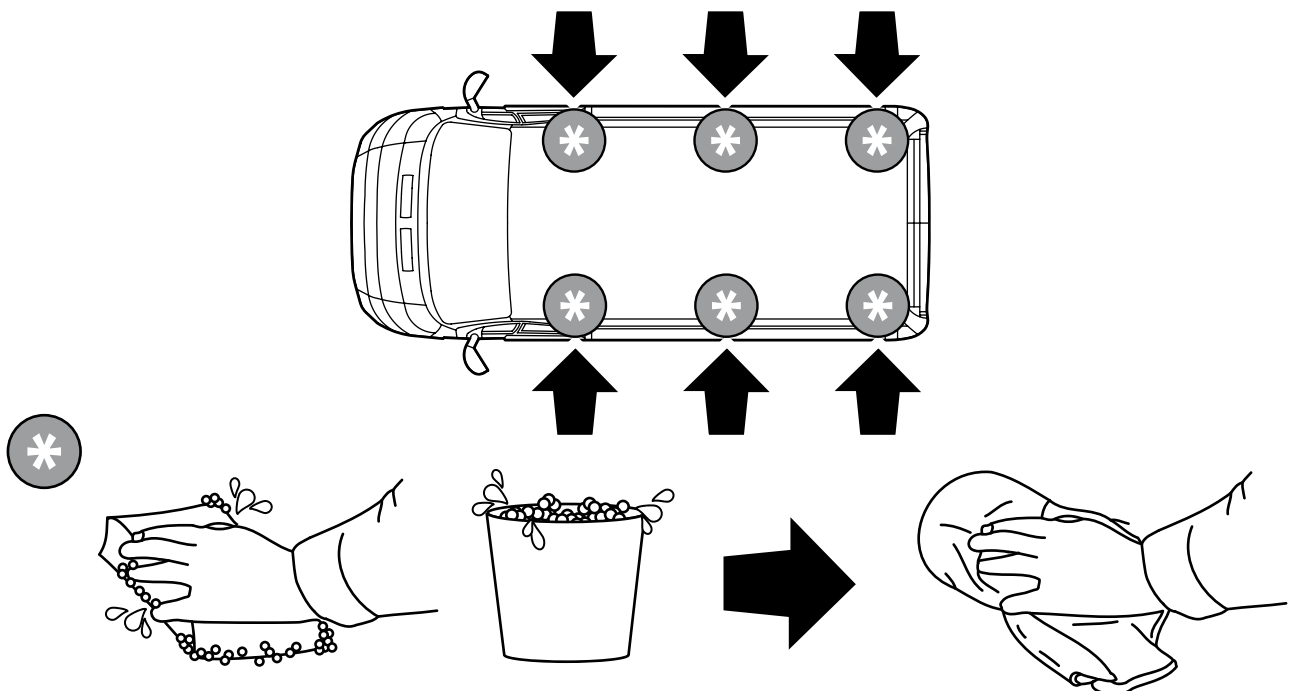
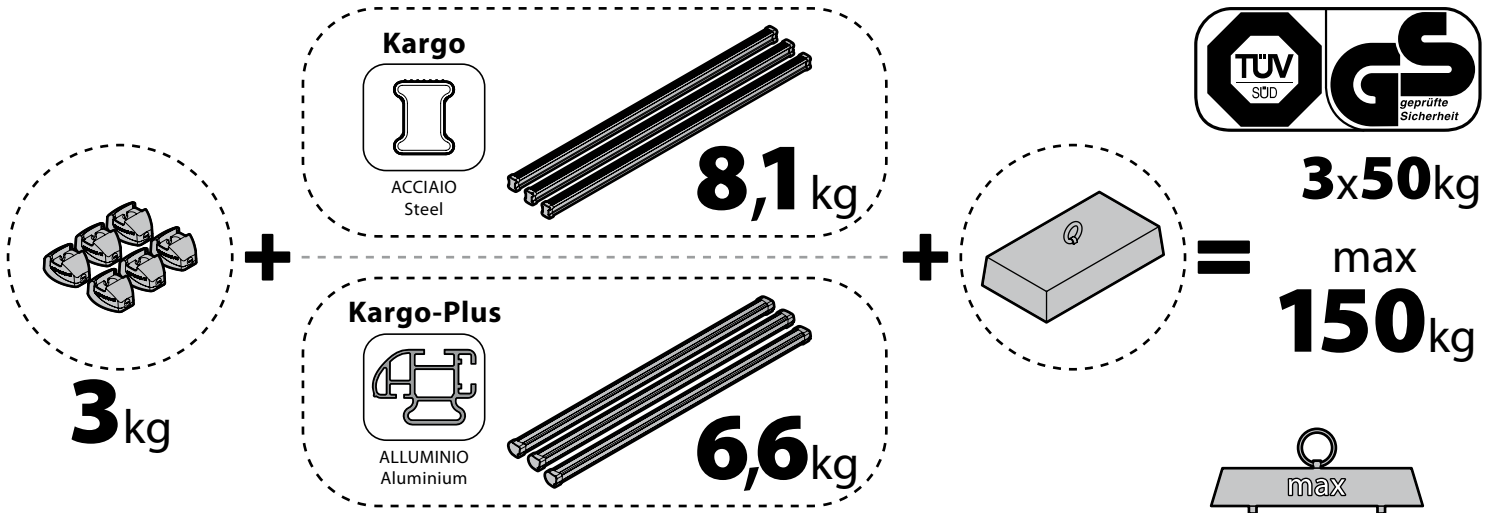
NORDDRIVE®

TRANSPORT SOLUTIONS

Art. **N30443**





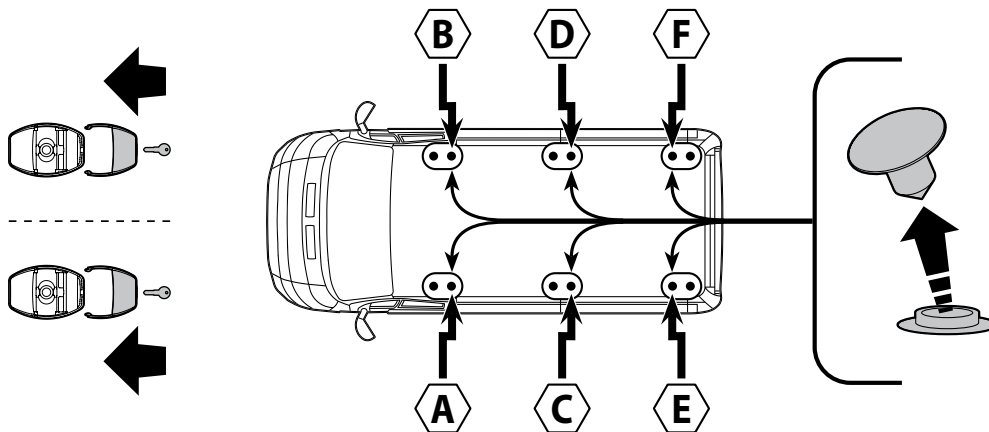


ⓘ ISTRUZIONI DI MONTAGGIO
ⓖᐁ FITTING INSTRUCTIONS
ⓓ MONTAGEANLEITUNG
ⓕ INSTRUCTIONS DE MONTAGE
ⓔ ISTRUCCIONES DE MONTAJE
ⓖ INSTRUÇÕES DE MONTAGEM
Ⓝᐁ MONTAGE-INSTRUCTIES
Ⓢ MONTERINGSANVISNING

ⓕᐁᐁ ASENNUSOHJE
ⓔᐁᐁ PAIGALDUSJUHEND
ⓕᐁᐁ STIPRIŅĀŠANAS INSTRUKCIJA
ⓕᐁᐁ PRITVIRTINIMO INSTRUKCIJOS
ⓕᐁᐁ INSTRUKCJA MONTAŻU
ⓕᐁᐁ Инструкции по установке
ⓕᐁᐁ NÁVOD NA MONTÁŽ
ⓕᐁᐁ NÁVOD NA MONTÁŽ

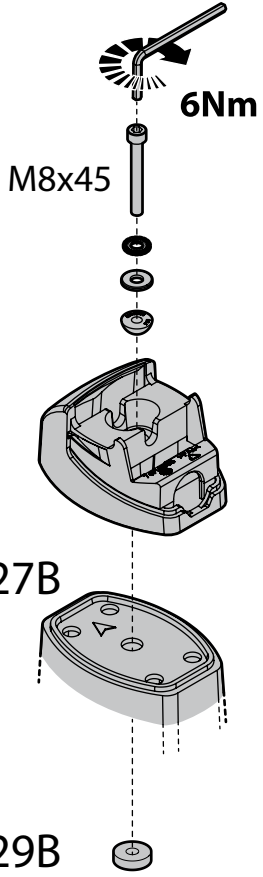
ⓕᐁᐁ NAVODILA ZA PRITRJEVANJE
ⓕᐁᐁ UPUTA ZA SASTAVLJANJE
ⓕᐁᐁ A FELSZERELÉS MÓDJA
ⓕᐁᐁ Οδηγίες συναρμολόγησης
ⓕᐁᐁ MONTAJ TALIMATLARLARI
ⓕᐁᐁ ИНСТРУКЦИИ ЗА МОНТАЖ
ⓕᐁᐁ UPUTSTVA ZA MONTAŽU

1



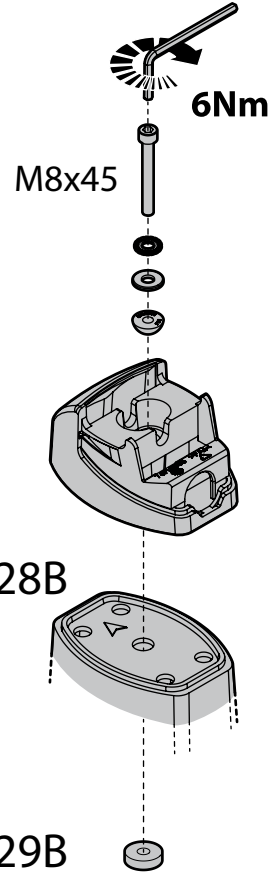
2

A



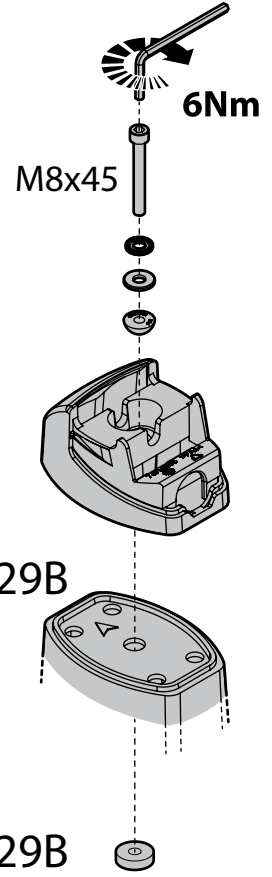
2

B



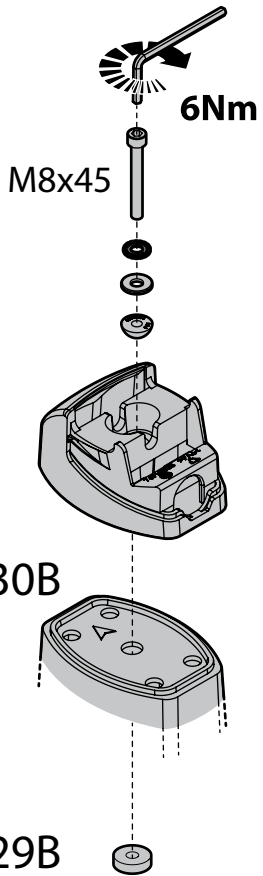
2

C



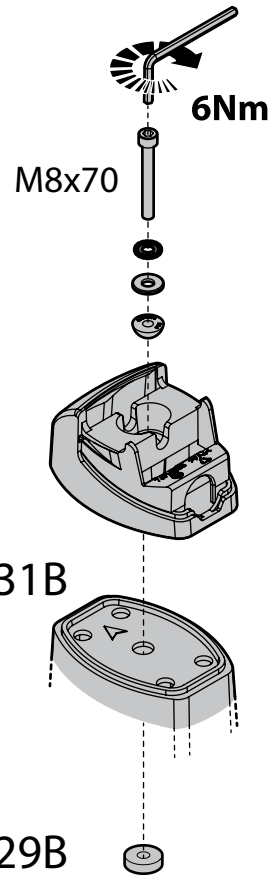
2

D



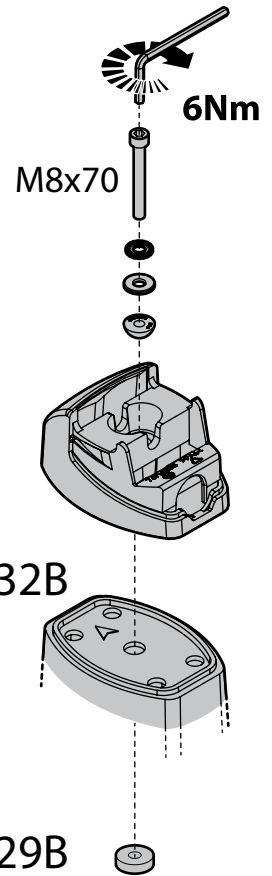
2

E



2

F





ATTENZIONE WARNING



Kargo

A

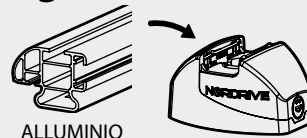


ACCIAIO
Steel

MONTAGGIO DIRETTO
SUI KIT PIEDI SPECIFICI
DIRECTLY ON FOOT KITS
BEFESTIGUNGSFÜSSE

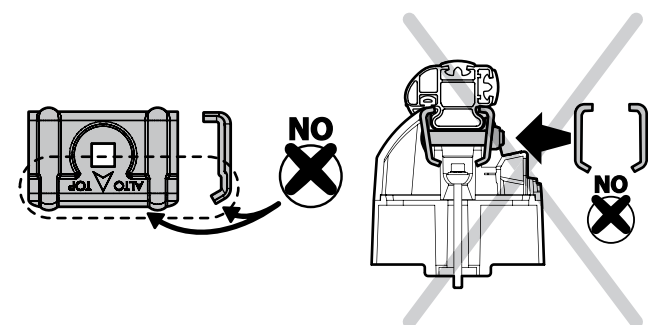
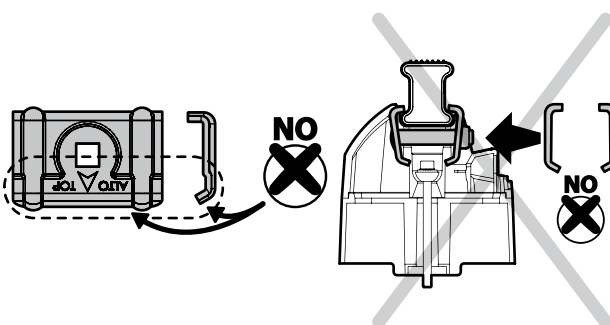
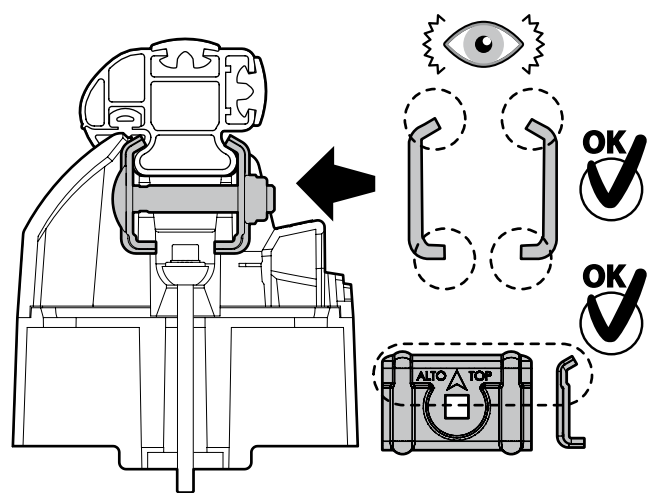
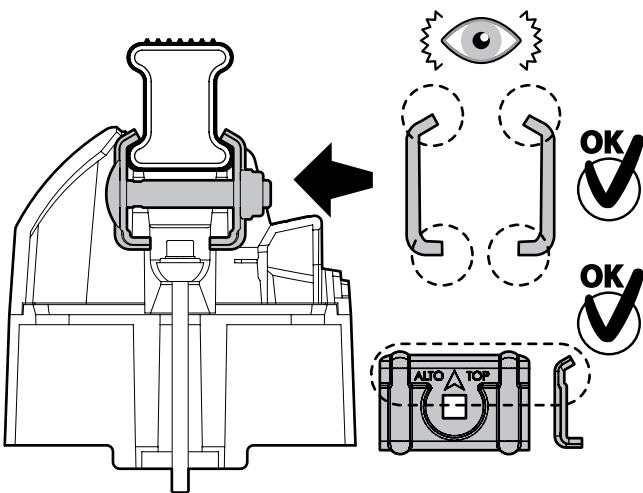
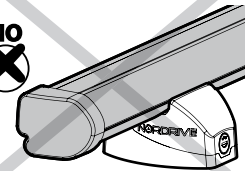
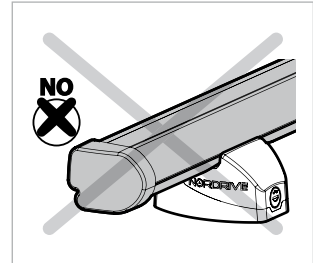
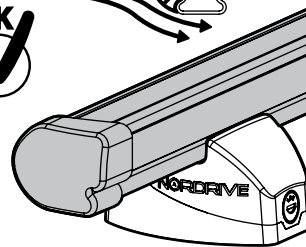
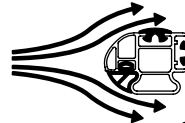
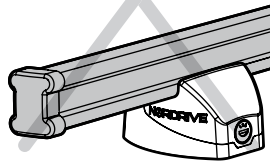
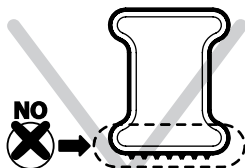
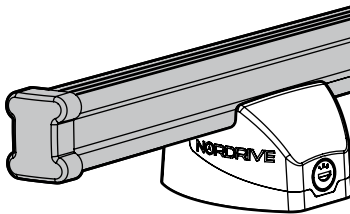
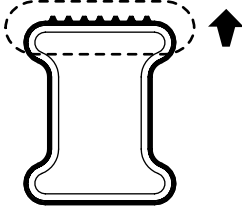
Kargo-Plus

B

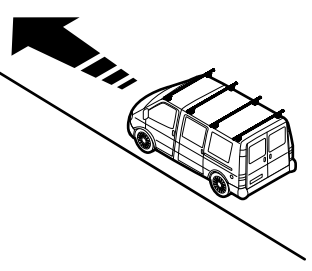
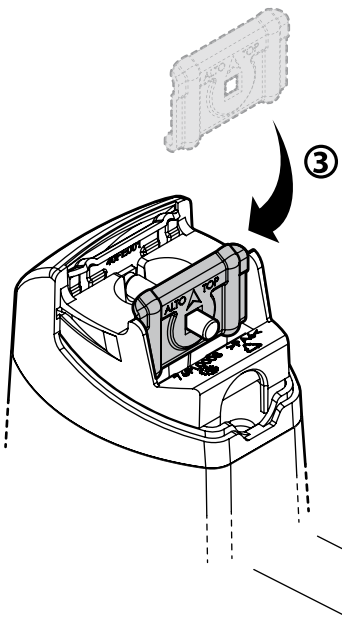
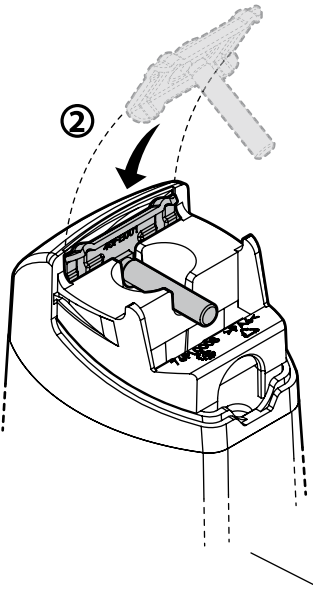
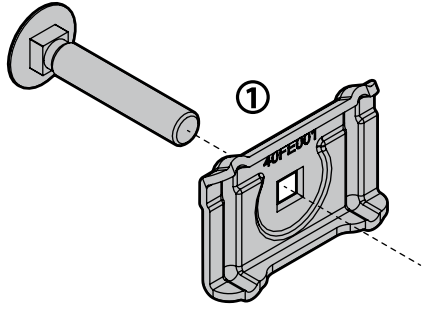


ALLUMINIO
Aluminium

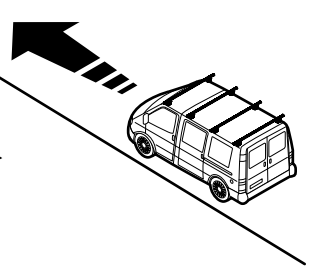
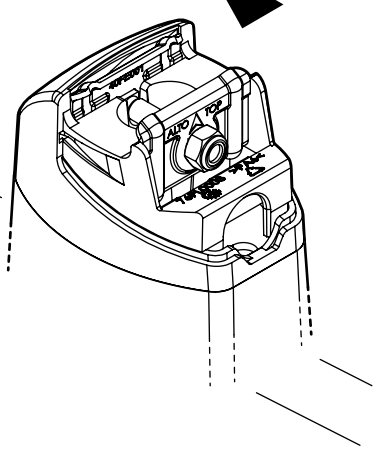
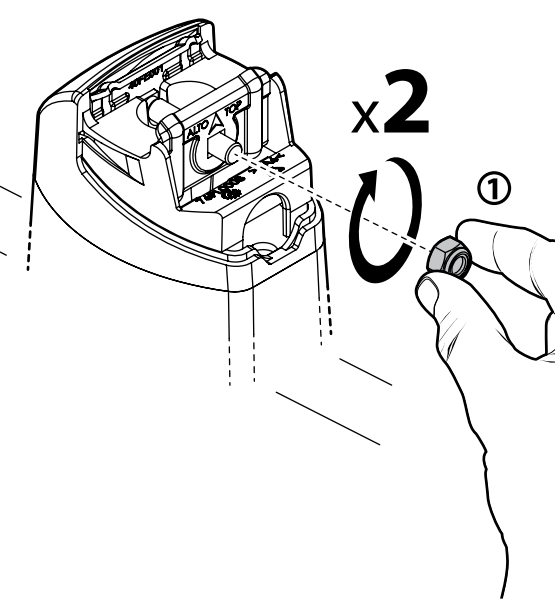
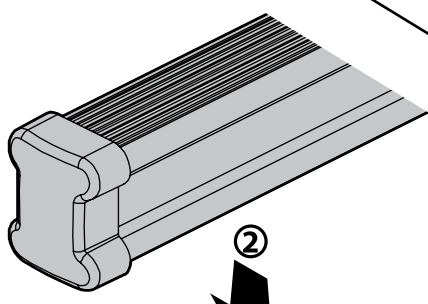
MONTAGGIO DIRETTO
SUI KIT PIEDI SPECIFICI
DIRECTLY ON FOOT KITS
BEFESTIGUNGSFÜSSE



3



4



5

A

Kargo

ACCIAIO
Steel

Diagram A illustrates the installation of the Kargo steel bar. It shows a cross-section of the steel bar and a top-down view of the bar being lowered onto the roof rails of a car. A level is used to ensure the bar is horizontal. Screws (2) are used to secure the bar to the rails. A downward arrow (1) indicates the direction of the bar's movement.

B

Kargo-Plus

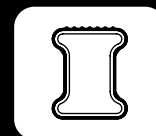
ALLUMINIO
Aluminium

Diagram B illustrates the installation of the Kargo-Plus aluminium bar. It shows a cross-section of the aluminium bar and a top-down view of the bar being lowered onto the roof rails. A level is used to ensure the bar is horizontal. Screws (1) are used to secure the bar to the rails. A second step (2) shows the bar being cut with scissors to fit the vehicle's width. A downward arrow (3) indicates the final position of the bar.

6

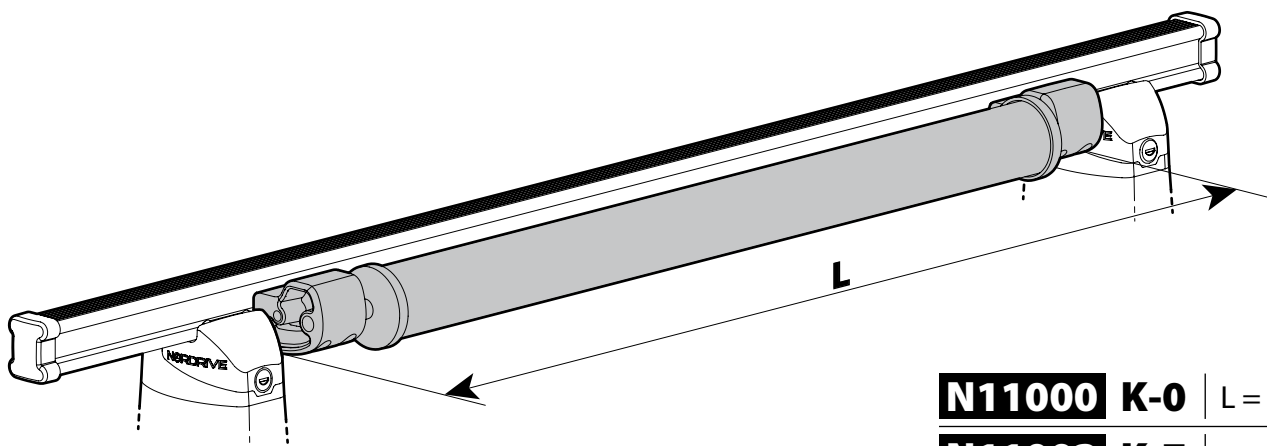
Diagram 6 illustrates the locking mechanism of the Kargo bar. It shows a close-up of the bar's end with a Nordrive lock being applied. A wrench is used to turn the lock handle (1) to the "Locked" position, applying 8Nm of torque. A second step (2) shows the lock handle being pushed down. A legend indicates the "Opened", "Lock", and "Locked" states with corresponding icons and arrows. An inset image shows a van with the bar installed on its roof.

Kargo series



Acciaio / Steel

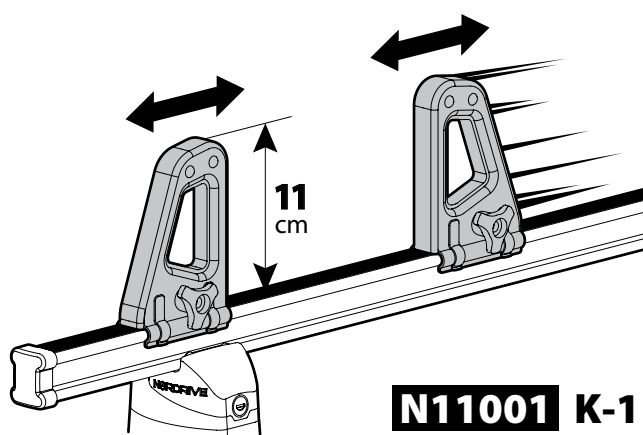
Kargo Roller



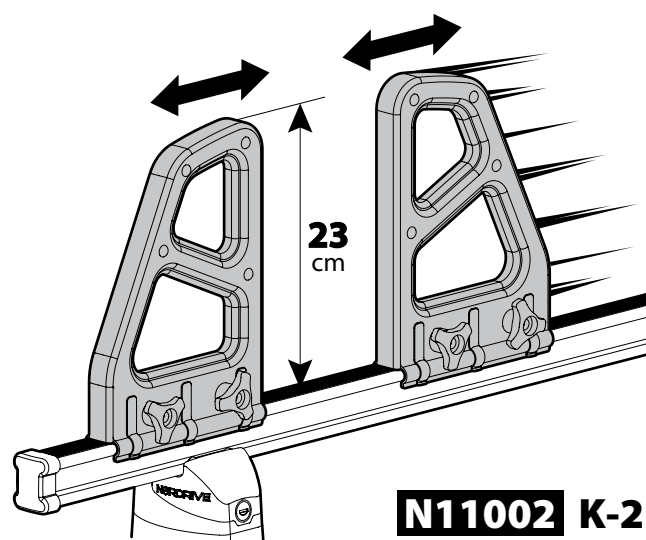
N11000 K-0 | L = 64 cm

N11003 K-7 | L = 96 cm

Load Stops

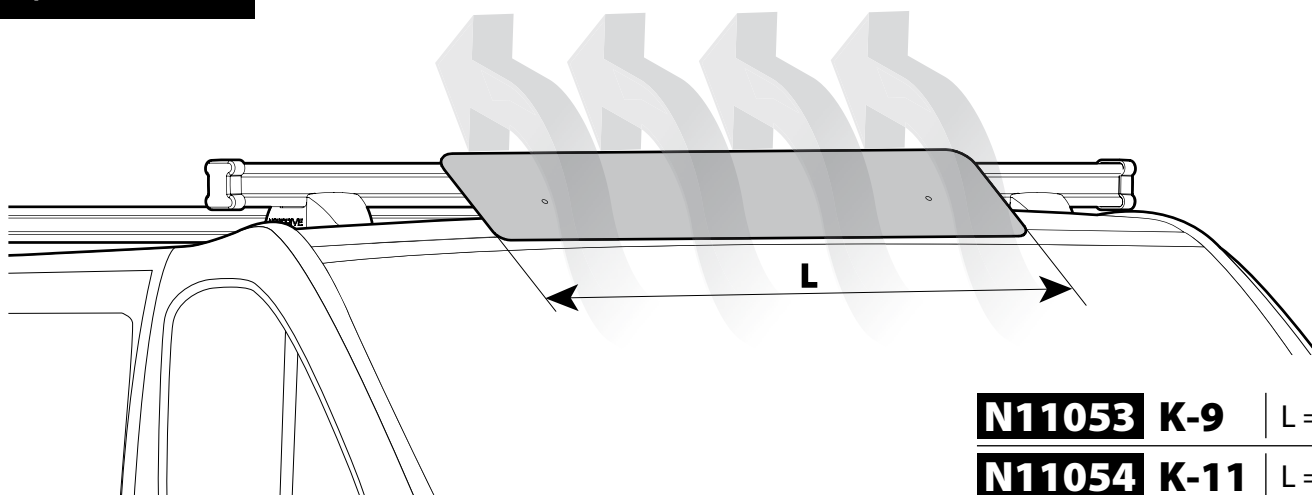


N11001 K-1



N11002 K-2

Spoiler

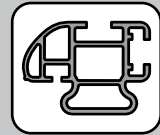


N11053 K-9 | L = 95 cm

N11054 K-11 | L = 110 cm

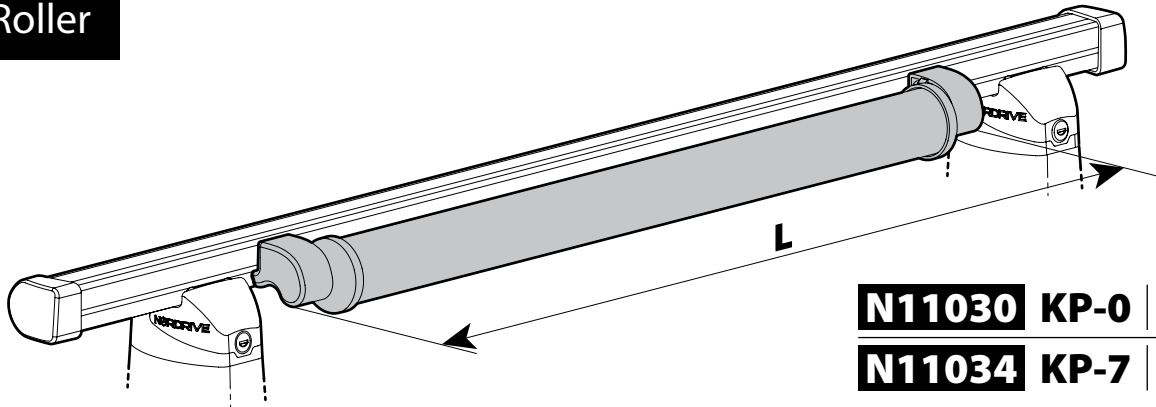
OPTIONALS PER / FOR / FÜR:

Kargo-Plus series



Alluminio / Aluminium

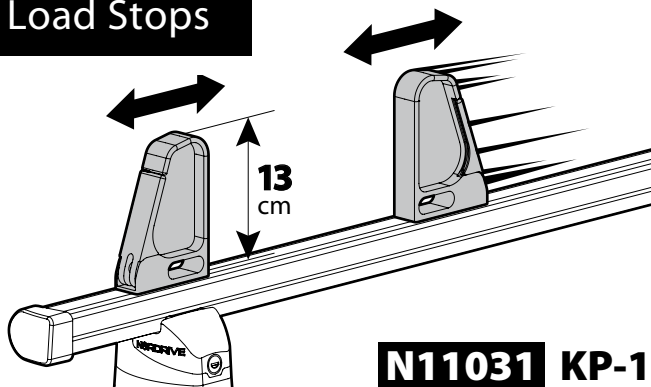
Kargo Roller



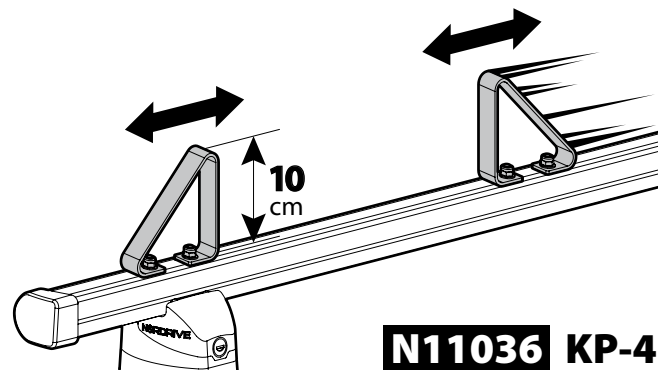
N11030 KP-0 | L = 64 cm

N11034 KP-7 | L = 96 cm

Load Stops

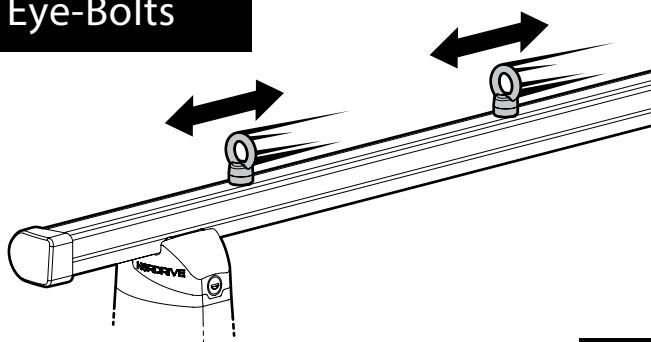


N11031 KP-1

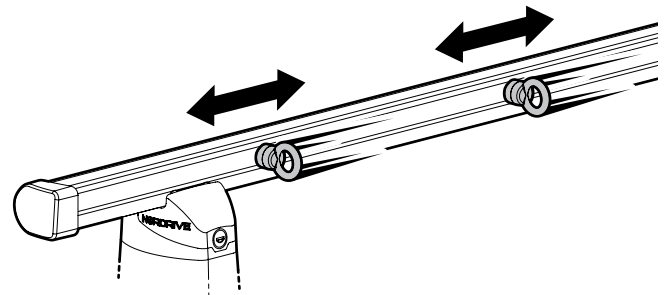


N11036 KP-4

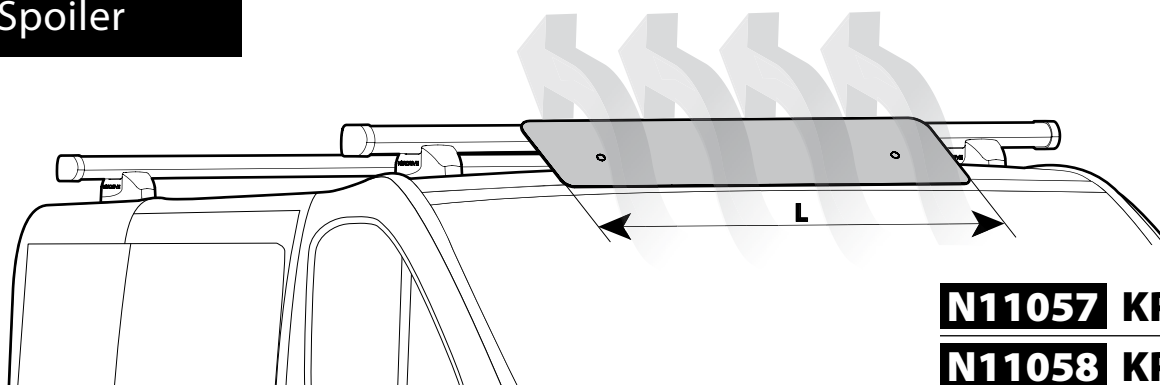
Eye-Bolts



N11033 KP-3



Spoiler



N11057 KP-9 | L = 95 cm

N11058 KP-11 | L = 110 cm

OPTIONALS PER / FOR / FÜR:

Kargo series



Acciaio / Steel

Kargo-Plus
series



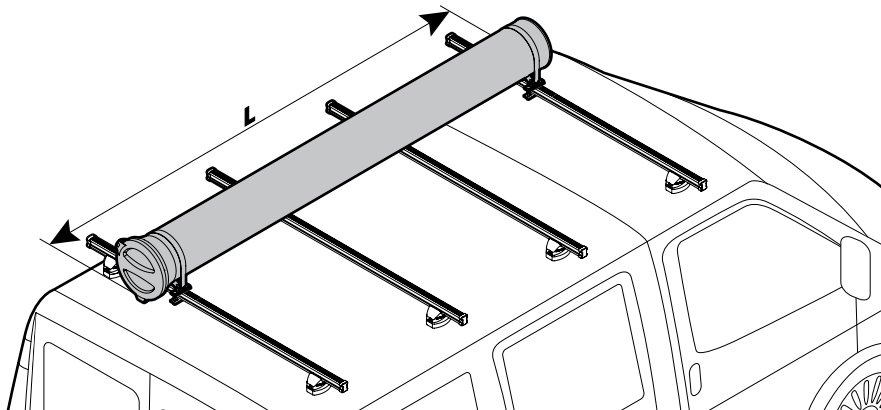
Alluminio / Aluminium

Kargo Tube

N11050 T200 | L = 205 cm

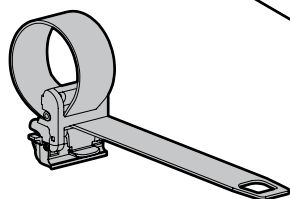
N11051 T300 | L = 305 cm

N11052 T400 | L = 405 cm

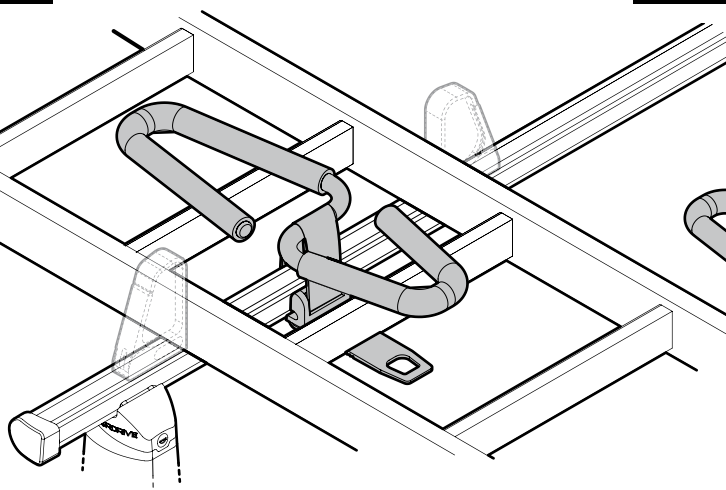


Ladder Holder Straps

Ladder Step Adapter



N11065 U-5

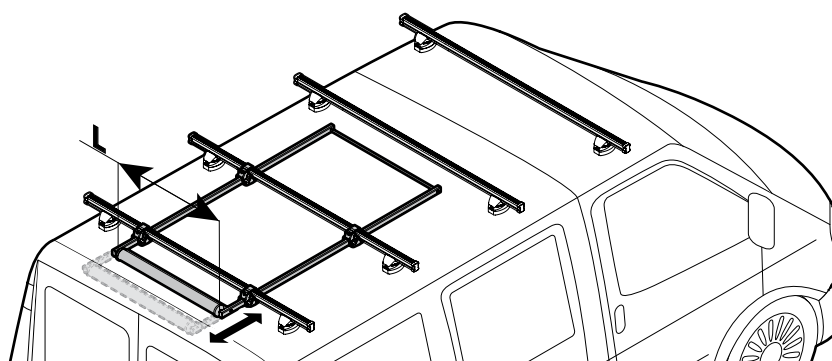


N11067 U-6

Extension Roller

N11020 U-0 | L = 64 cm

N11021 U-7 | L = 96 cm



- I** Lotto di produzione da comunicare per eventuali ricambi
- GB** Production lot number to be communicated for any spare parts
- F** Lot de production à communiquer pour toute pièce de rechange
- D** Produktionscharge für eventuelle Ersatzteile
- E** Lote de producción a comunicar por cualquier repuesto

Lot.

NORDRIVE®
TRANSPORT SOLUTIONS

NORDRIVE® is a registered trademark of
LAMPA S.p.A.
Via G. Rossa 53/55, 46019 Viadana (MN) ITALY
Tel. +39 0375 820700
UNI EN ISO 9001:2008 Certified Company
www.nordrive.it
www.lampa.it