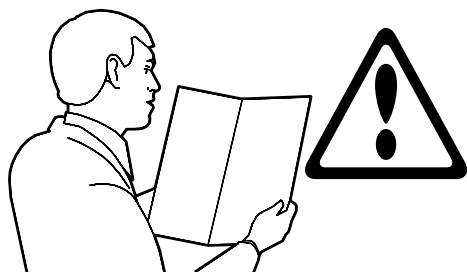
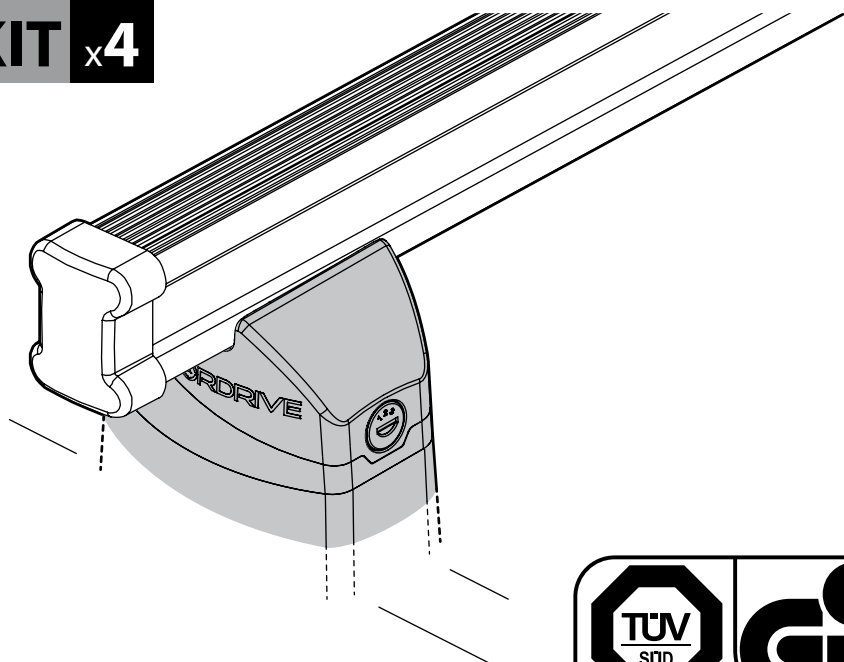


Art. **N30452**

KIT x4

**FORD TRANSIT
COURIER**

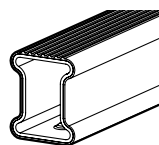
2016
09/23 →



- ① ADATTO PER
- Ⓒ SUITABLE FOR
- Ⓕ INDIQUÉ POUR
- Ⓓ GEEIGNET FÜR
- Ⓔ ADECUADA PARA

**NORDRIVE
KARGO SERIES**

- ① ISTRUZIONI DI MONTAGGIO
- Ⓒ FITTING INSTRUCTIONS
- Ⓓ MONTAGEANLEITUNG
- Ⓕ INSTRUCTIONS DE MONTAGE
- Ⓔ ISTRUCCIONES DE MONTAJE
- Ⓖ INSTRUÇÕES DE MONTAGEM
- Ⓗ MONTAGE-INSTRUCTIES
- Ⓒ MONTERINGSANVISNING
- Ⓕ ASENNUSOHJE
- Ⓔ PAIGALDUSJUHEND
- Ⓗ STIPRINĀŠANAS INSTRUKCIJA
- Ⓕ PRITVIRTINIMO INSTRUKCIJOS
- Ⓖ INSTRUKCJA MONTAŻU
- Ⓒ Инструкции по установке
- Ⓕ NÁVOD NA MONTÁŽ
- Ⓒ NÁVOD NA MONTÁŽ
- Ⓕ NAVODILA ZA PRITRJEVANJE
- Ⓗ UPUTA ZA SASTAVLJANJE
- Ⓗ A FELSZERELÉS MÓDJA
- Ⓒ Οδηγίες συναρμολόγησης
- Ⓕ MONTAJ TALIMATLARI
- Ⓕ ИНСТРУКЦИИ ЗА МОНТАЖ
- Ⓕ UPUTSTVA ZA MONTAŽU

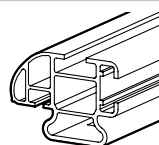


Kargo
ACCIAIO
Steel

- ① BARRE KARGO
- Ⓒ KARGO BARS
- Ⓕ BARRES KARGO
- Ⓓ DACH-LASTENTRÄGER KARGO
- Ⓔ BARRES KARGO

135cm

Art. **N10005** x2

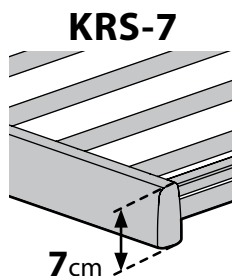


Kargo-Plus
ALLUMINIO
Aluminium

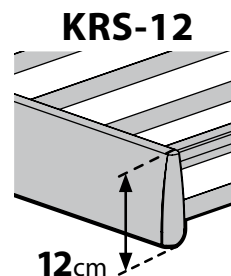
- ① BARRE KARGO-PLUS
- Ⓒ KARGO-PLUS BARS
- Ⓕ BARRES KARGO-PLUS
- Ⓓ DACH-LASTENTRÄGER KARGO-PLUS
- Ⓔ BARRES KARGO-PLUS

135cm

Art. **N10035** x2



7cm

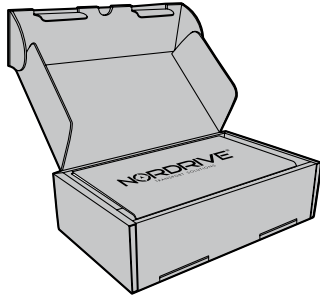


12cm

- ① CESTE PORTATUTTO KRS-7 / KRS-12
- Ⓒ KRS-7 / KRS-12 VAN ROOF RACKS
- Ⓕ GALERIE KRS-7 / KRS-12
- Ⓓ DACHKÖRBEIN KRS-7 / KRS-12
- Ⓔ BACAS KRS-7 / KRS-12

NORDRIVE®

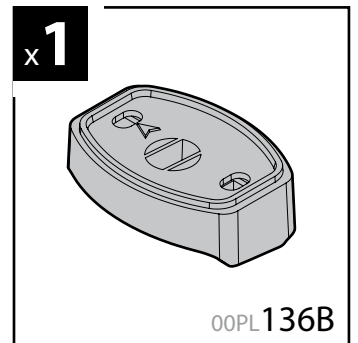
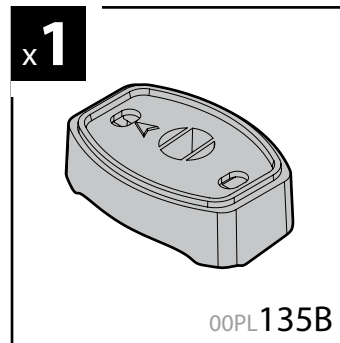
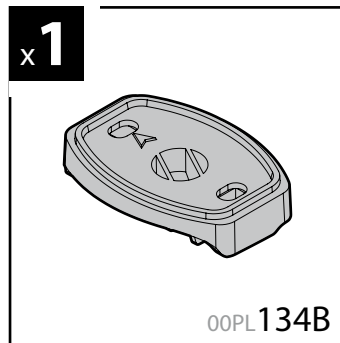
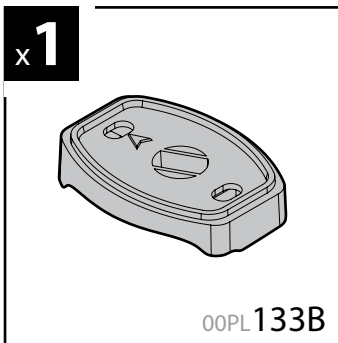
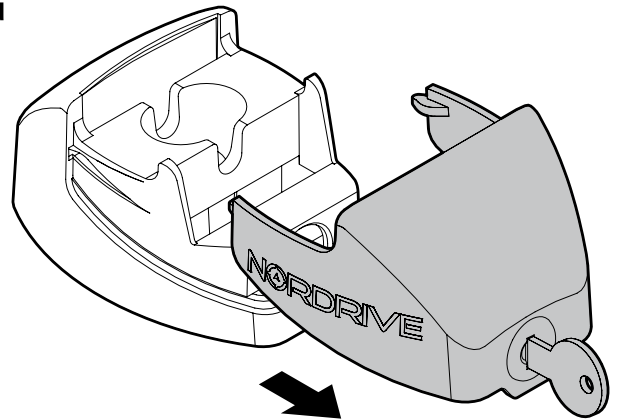
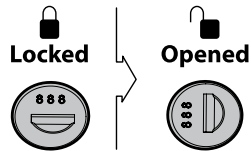
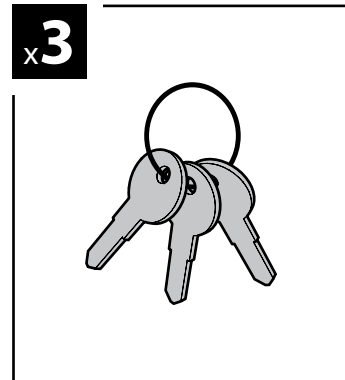
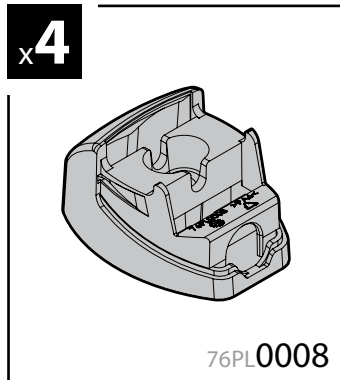
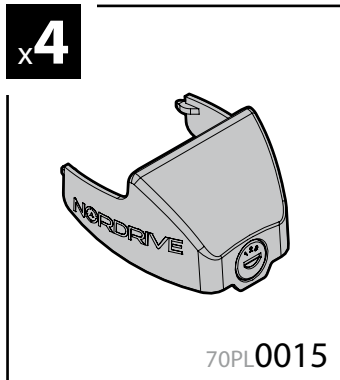
TRANSPORT SOLUTIONS

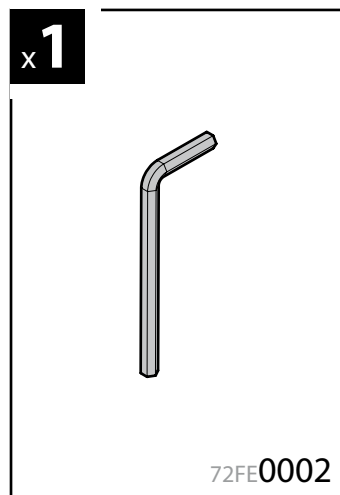
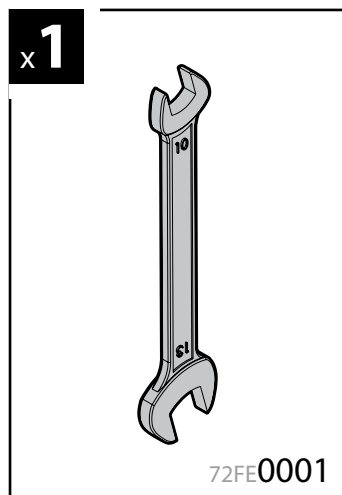
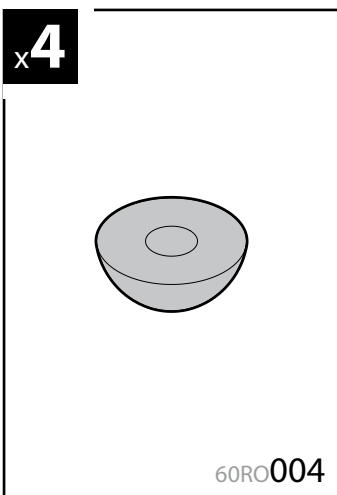
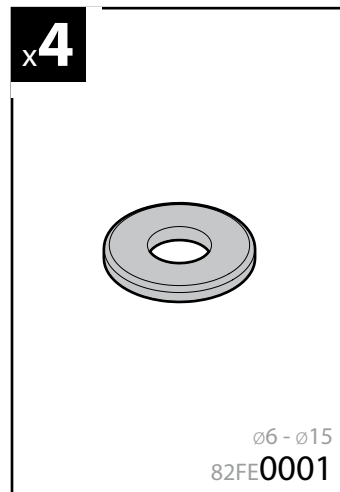
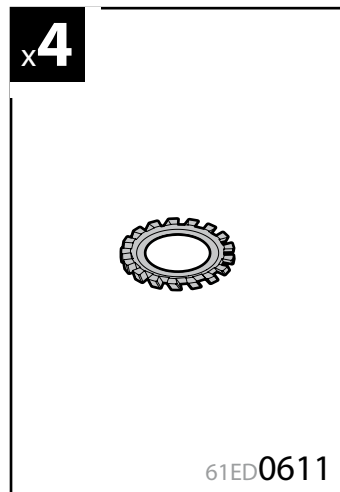
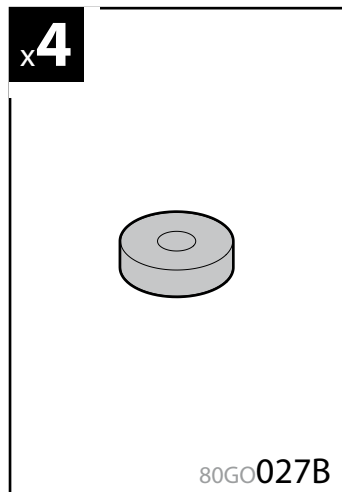
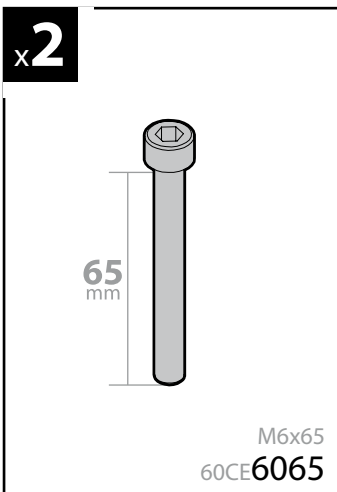
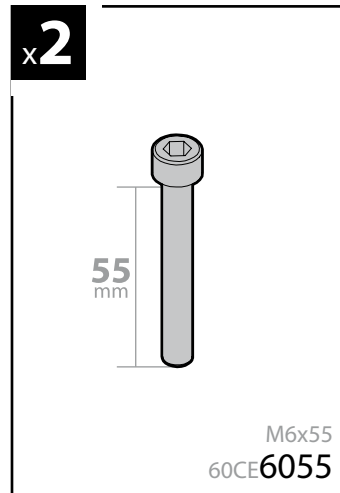
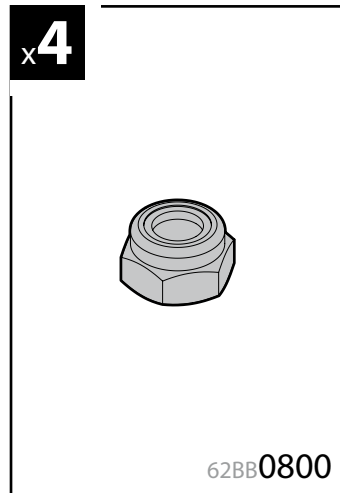
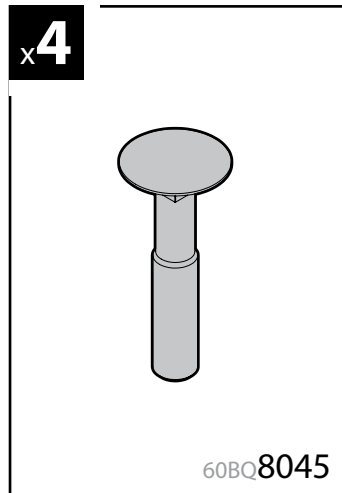
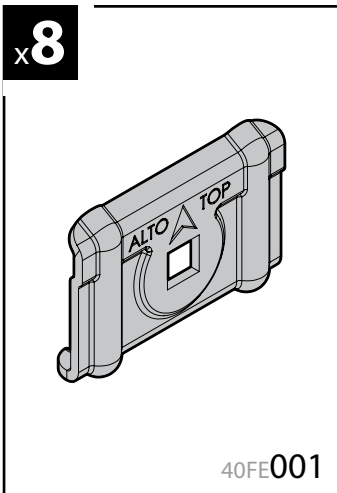


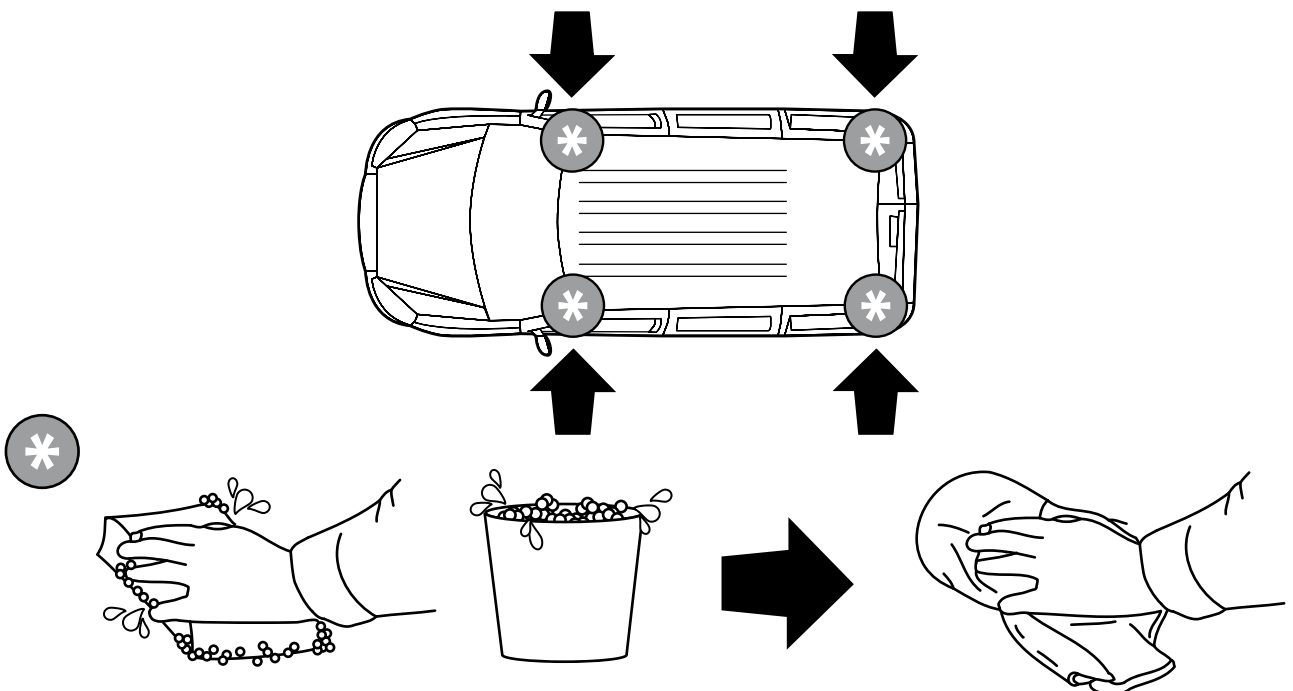
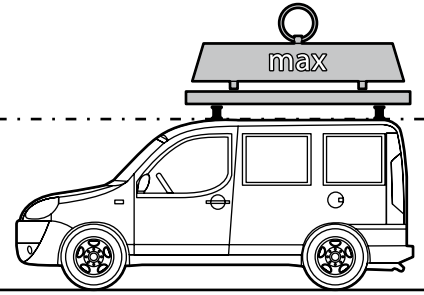
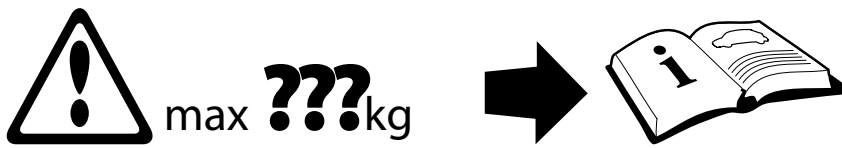
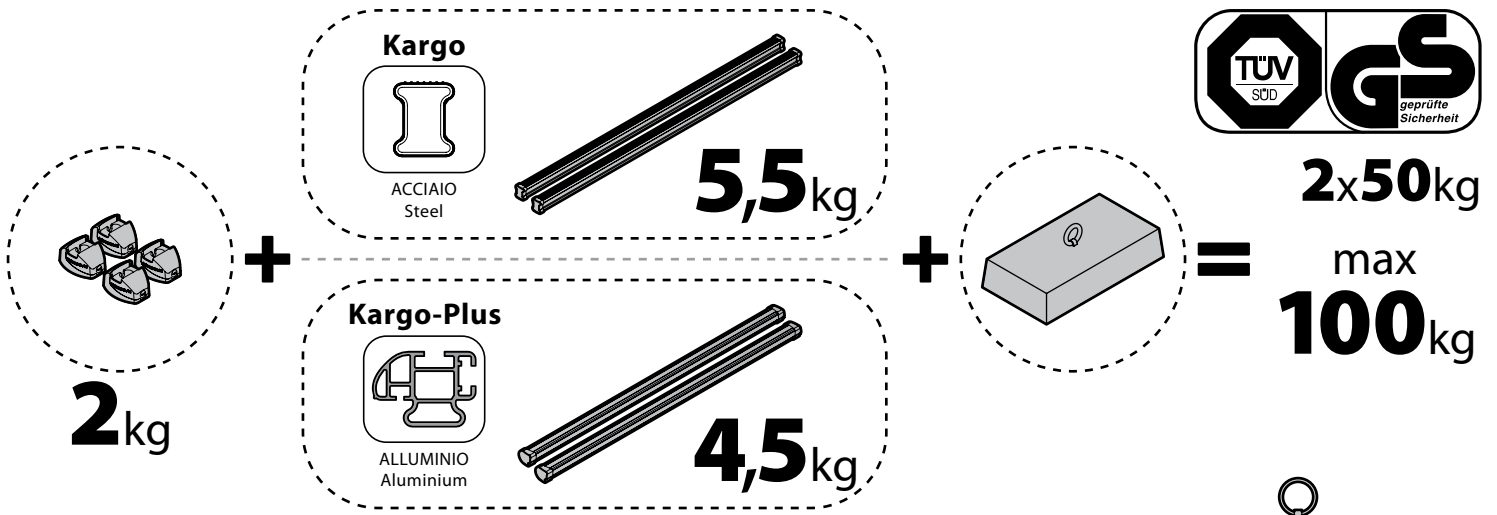
NORDDRIVE®

TRANSPORT SOLUTIONS

Art. **N30452**





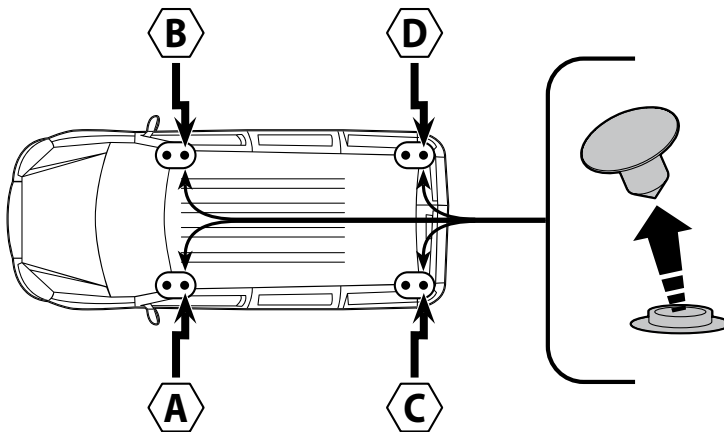
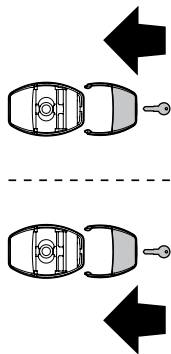


ⓘ ISTRUZIONI DI MONTAGGIO
ⓖᅇ FITTING INSTRUCTIONS
ⓓ MONTAGEANLEITUNG
ⓕ INSTRUCTIONS DE MONTAGE
ⓔ ISTRUCCIONES DE MONTAJE
ⓓ INSTRUÇÕES DE MONTAGEM
Ⓝᅇ MONTAGE-INSTRUCTIES
Ⓢ MONTERINGSANVISNING

ⓕᅇᅇ ASENNUSOHJE
ⓔᅇᅇ PAIGALDUSJUHEND
ⓕᅇᅇ STIPRINĀŠANAS INSTRUKCIJA
ⓕᅇᅇ PRITVIRTINIMO INSTRUKCIJOS
ⓕᅇᅇ INSTRUKCJA MONTAŻU
ⓕᅇᅇ Инструкции по установке
ⓕᅇᅇ NÁVOD NA MONTÁŽ
ⓕᅇᅇ NÁVOD NA MONTÁŽ

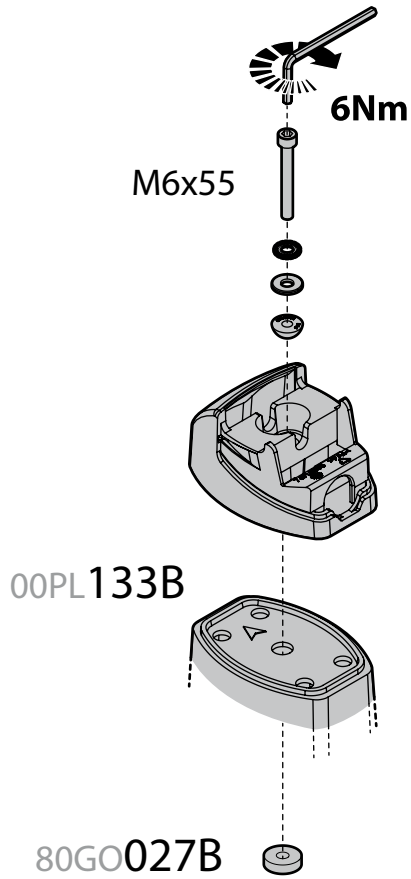
ⓕᅇᅇ NAVODILA ZA PRITRJEVANJE
ⓕᅇᅇ UPUTA ZA SASTAVLJANJE
ⓕᅇᅇ A FELSZERELÉS MÓDJA
ⓕᅇᅇ Οδηγίες συναρμολόγησης
ⓕᅇᅇ MONTAJ TALIMATLARLARI
ⓕᅇᅇ ИНСТРУКЦИИ ЗА МОНТАЖ
ⓕᅇᅇ UPUTSTVA ZA MONTAŽU

1



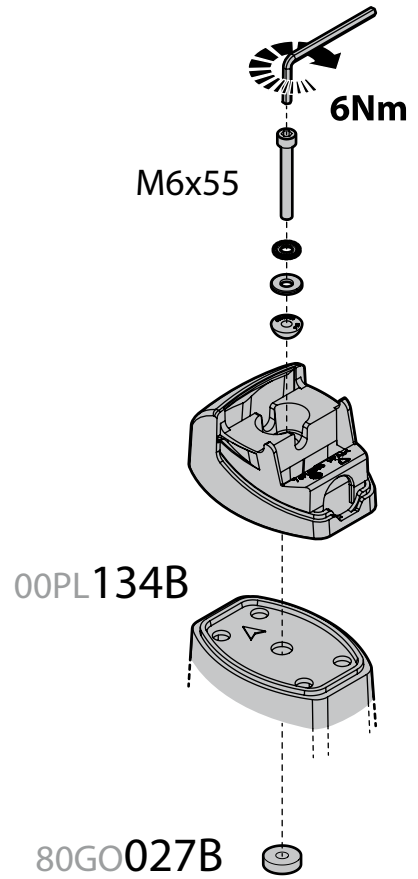
2

A



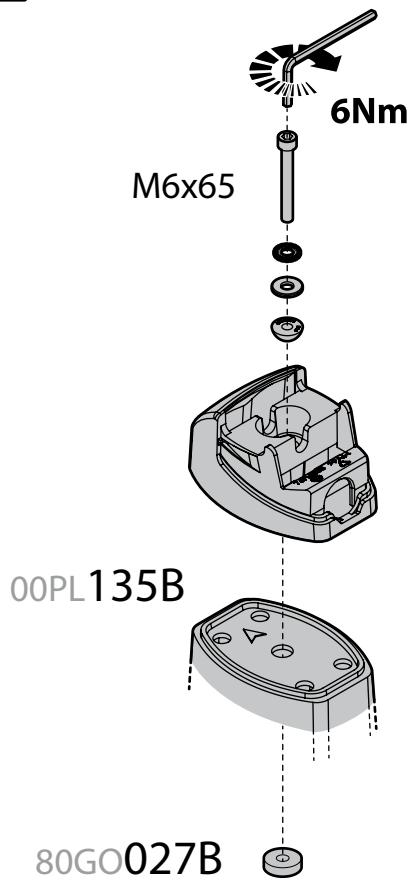
2

B



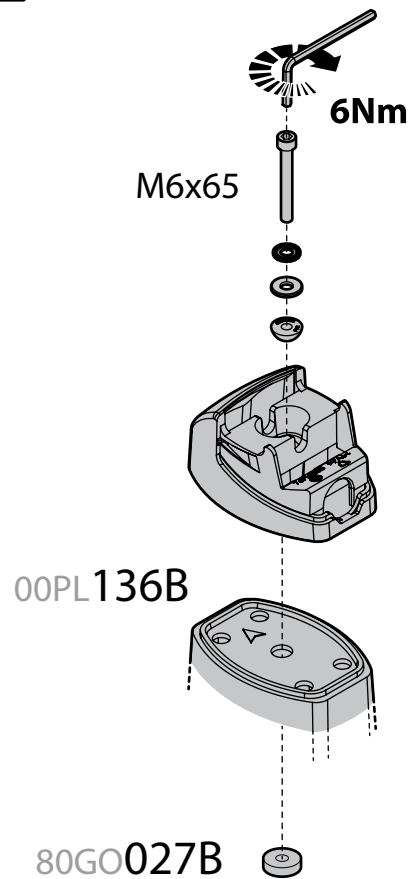
2

C



2

D



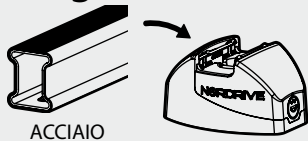


ATTENZIONE WARNING



Kargo

A

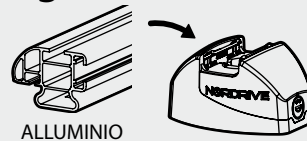


ACCIAIO
Steel

MONTAGGIO DIRETTO
SUI KIT PIEDI SPECIFICI
DIRECTLY ON FOOT KITS
BEFESTIGUNGSFÜSSE

Kargo-Plus

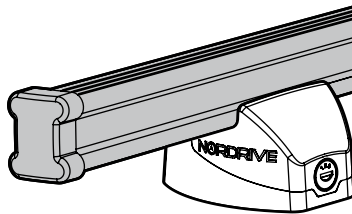
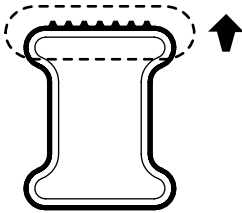
B



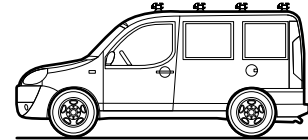
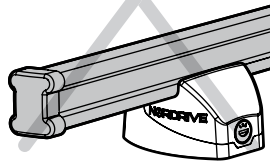
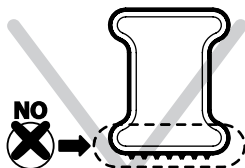
ALLUMINIO
Aluminium

MONTAGGIO DIRETTO
SUI KIT PIEDI SPECIFICI
DIRECTLY ON FOOT KITS
BEFESTIGUNGSFÜSSE

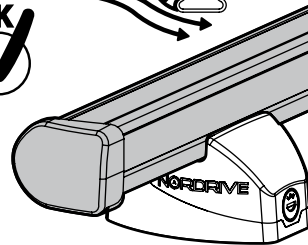
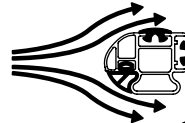
OK ✓



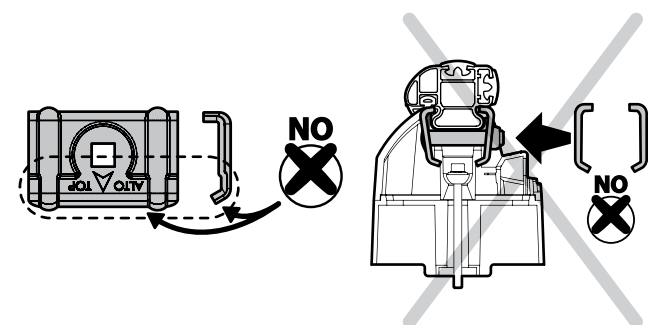
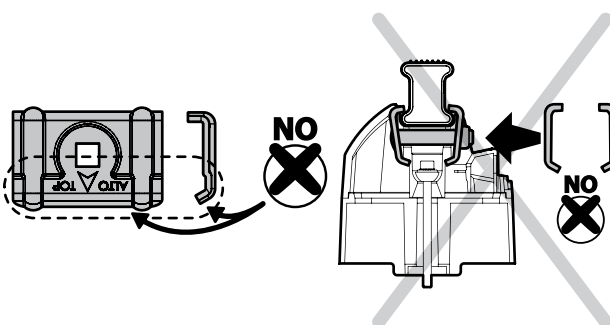
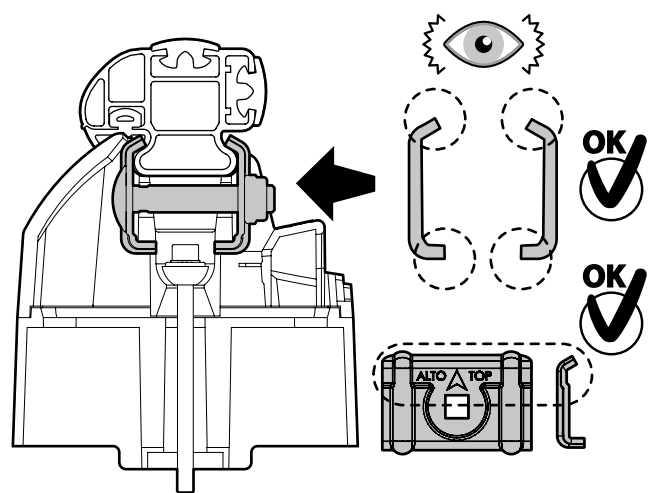
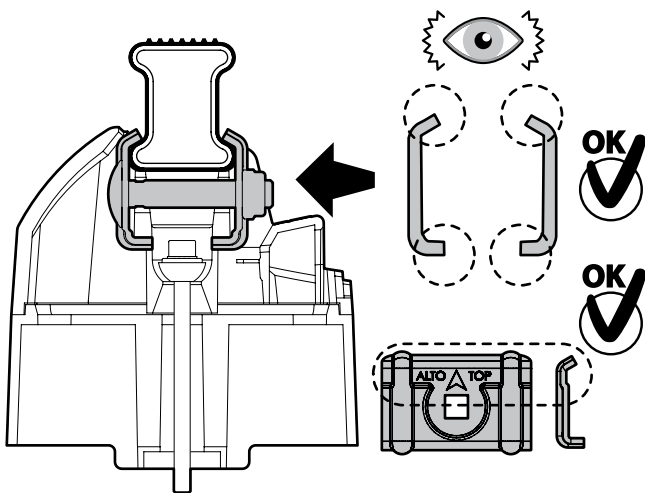
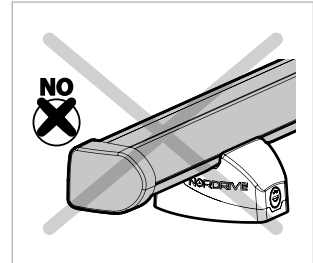
NO ✗



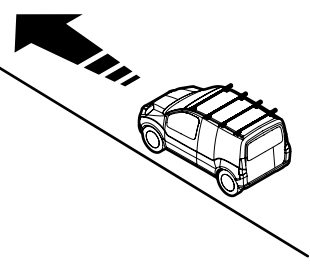
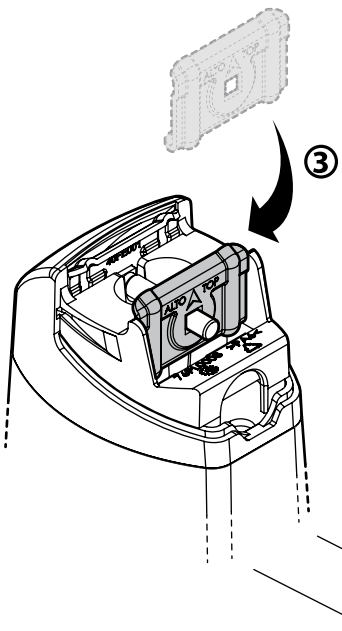
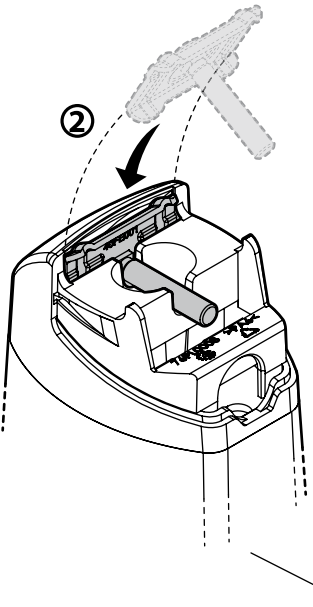
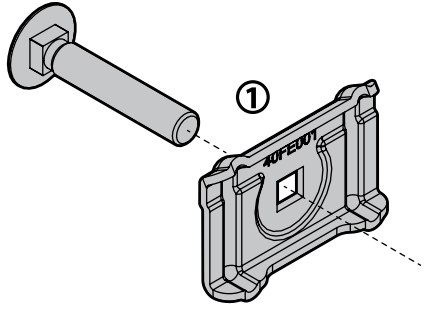
OK ✓



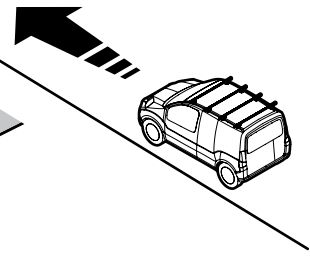
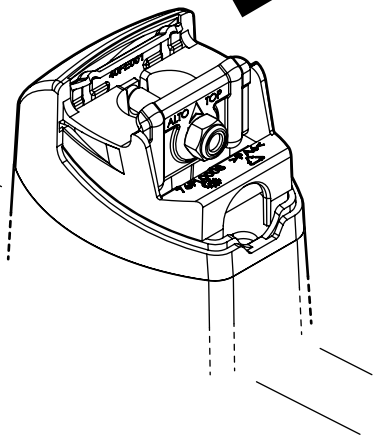
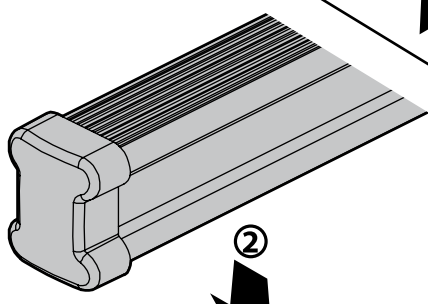
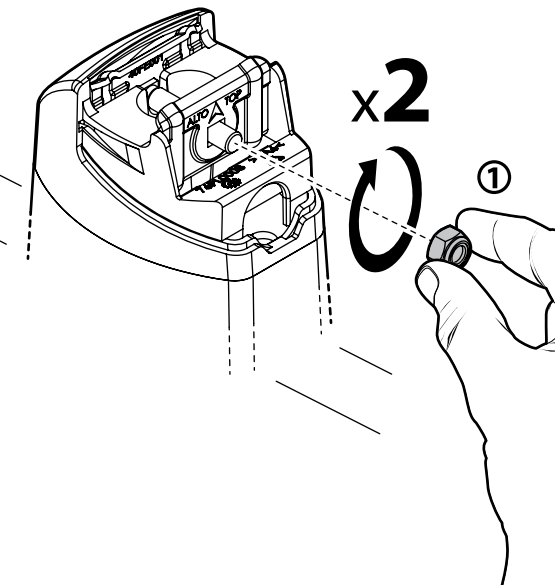
NO ✗



3



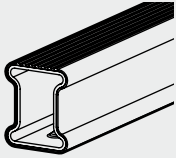
4



5

A

Kargo

 **ACCIAIO**
Steel

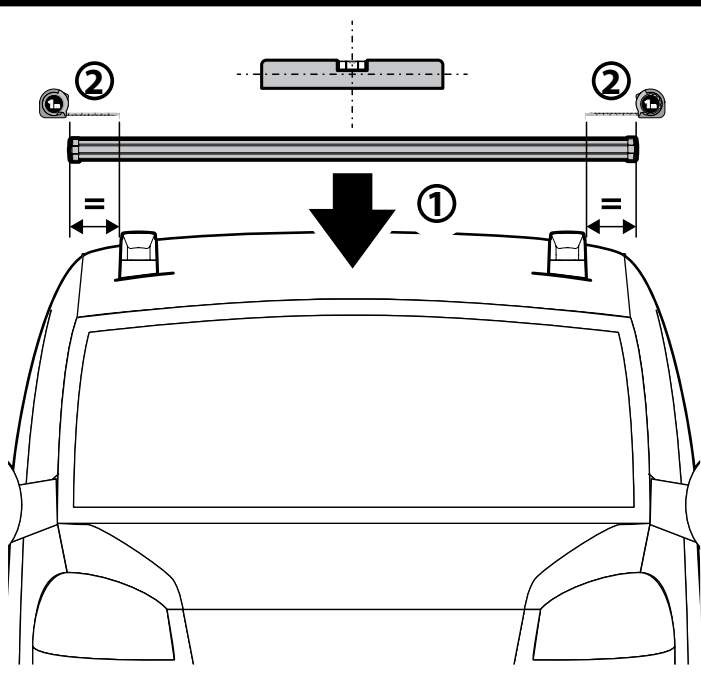
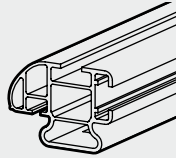


Diagram A illustrates the installation of the Kargo steel bar. A steel bar is shown being lowered onto the roof rails of a car. Step 1 shows the bar being positioned, and step 2 shows it being secured with nuts and washers.

B

Kargo-Plus

 **ALLUMINIO**
Aluminium

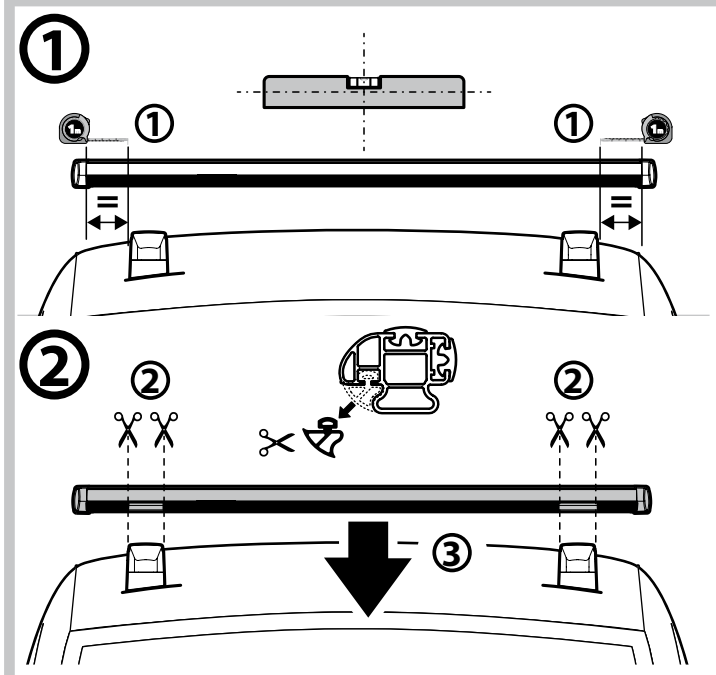


Diagram B illustrates the installation of the Kargo-Plus aluminum bar. Step 1 shows the bar being lowered onto the roof rails. Step 2 shows the bar being secured with a special aluminum bracket and nuts.

6

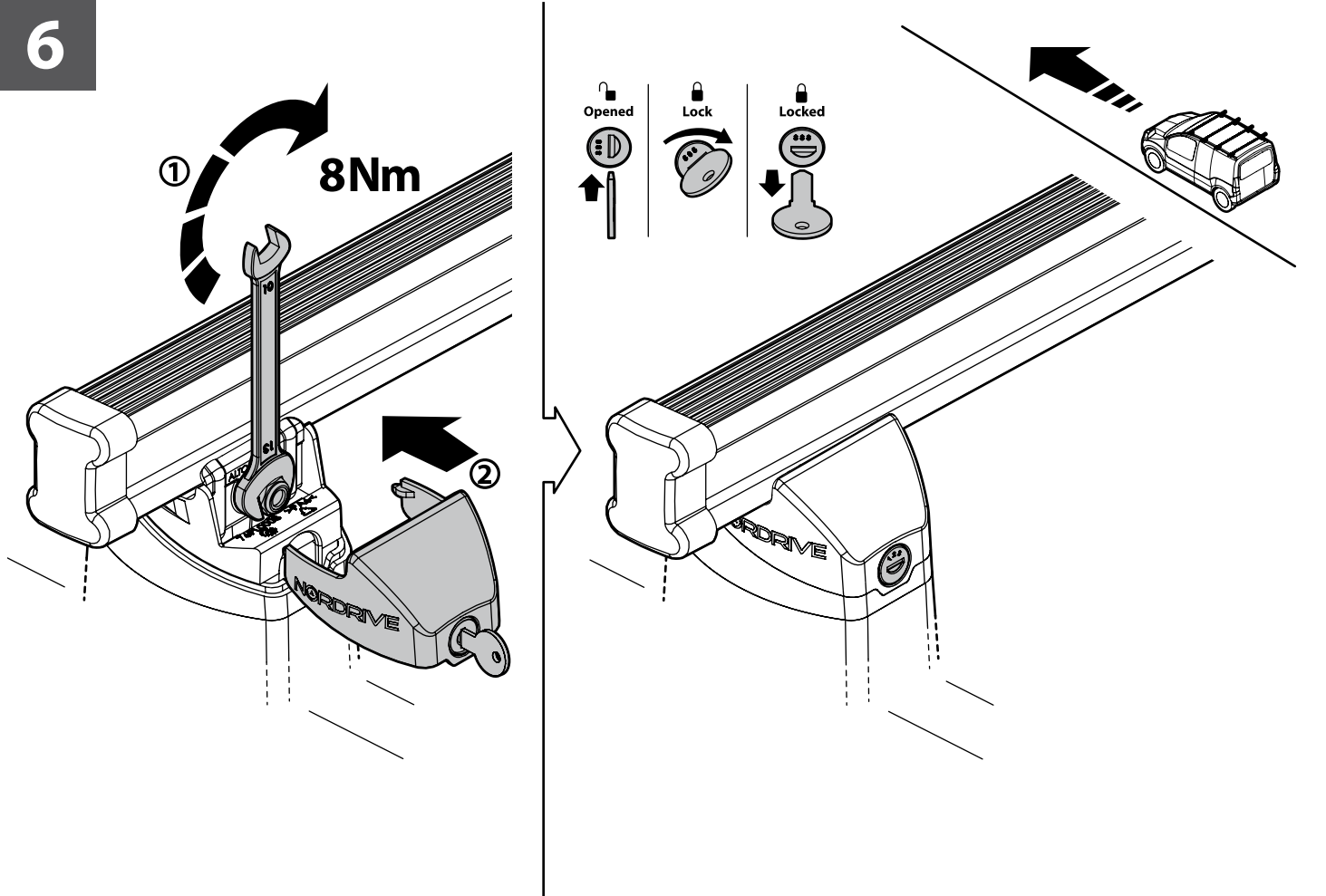


Diagram 6 illustrates the locking mechanism. Step 1 shows a wrench being used to tighten a lock nut to 8Nm. Step 2 shows the lock being engaged. A legend indicates the lock is 'Opened', 'Lock', or 'Locked'.

Legend:




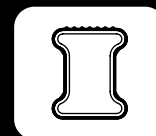
- Opened: 
- Lock: 
- Locked: 

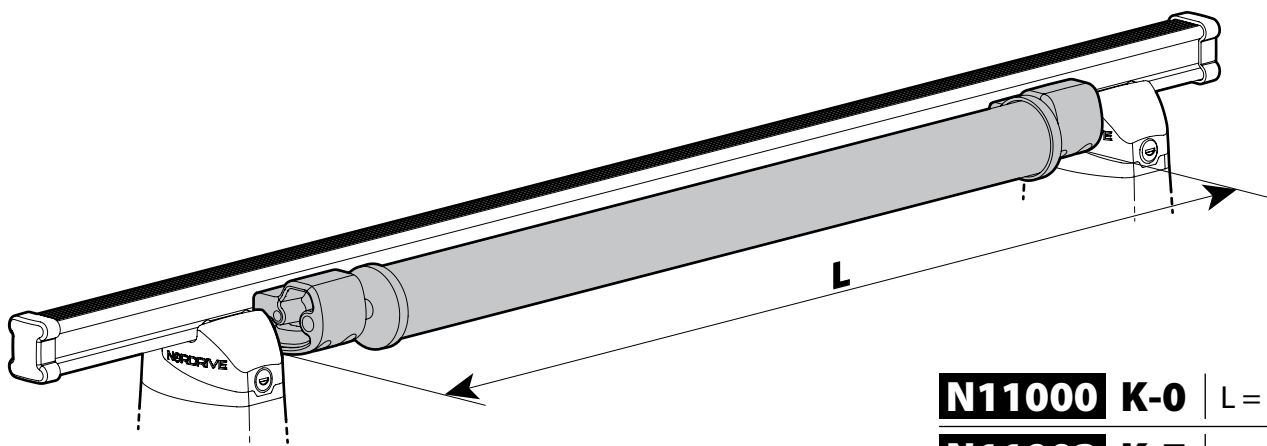
Diagram 6 illustrates the locking mechanism. Step 1 shows a wrench being used to tighten a lock nut to 8Nm. Step 2 shows the lock being engaged. A legend indicates the lock is 'Opened', 'Lock', or 'Locked'.

Kargo series



Acciaio / Steel

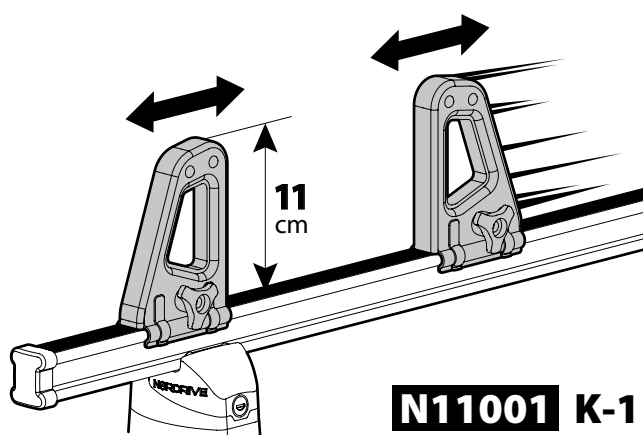
Kargo Roller



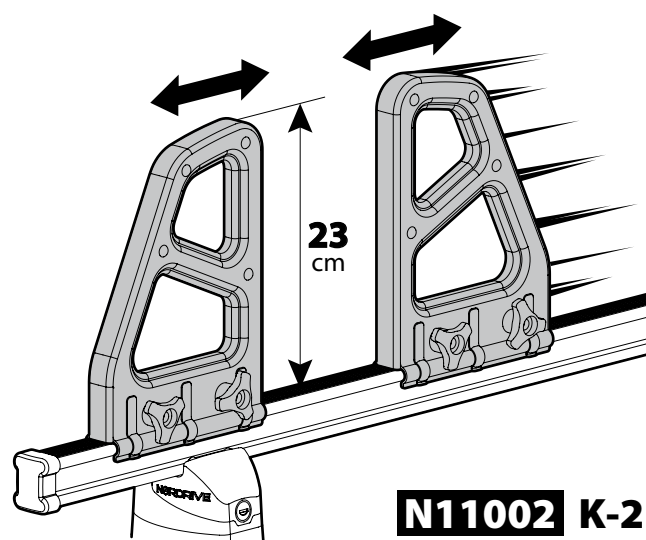
N11000 K-0 | L = 64 cm

N11003 K-7 | L = 96 cm

Load Stops

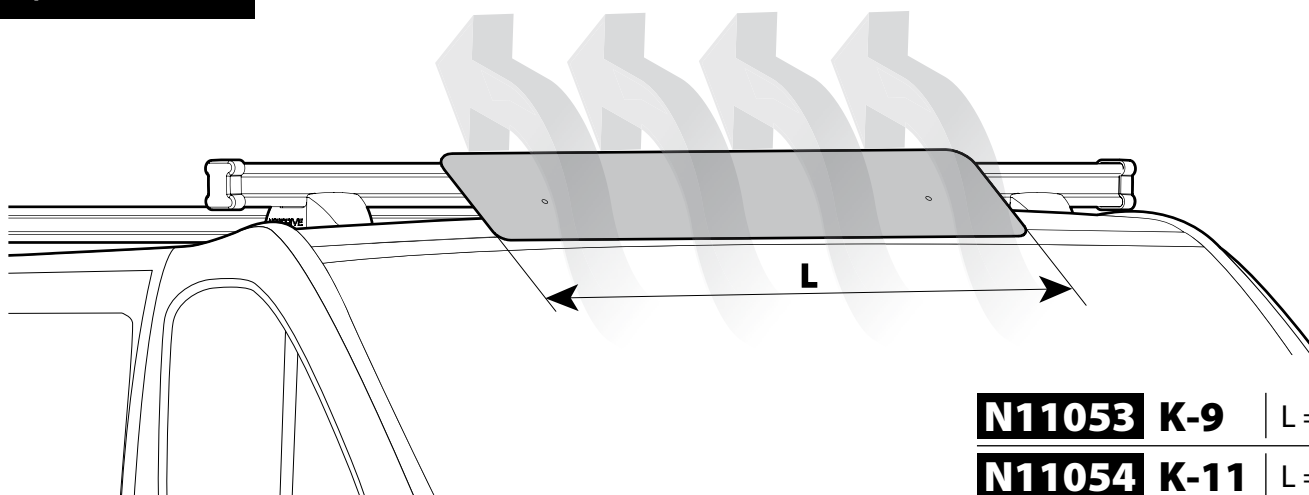


N11001 K-1



N11002 K-2

Spoiler

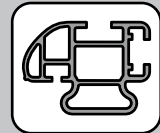


N11053 K-9 | L = 95 cm

N11054 K-11 | L = 110 cm

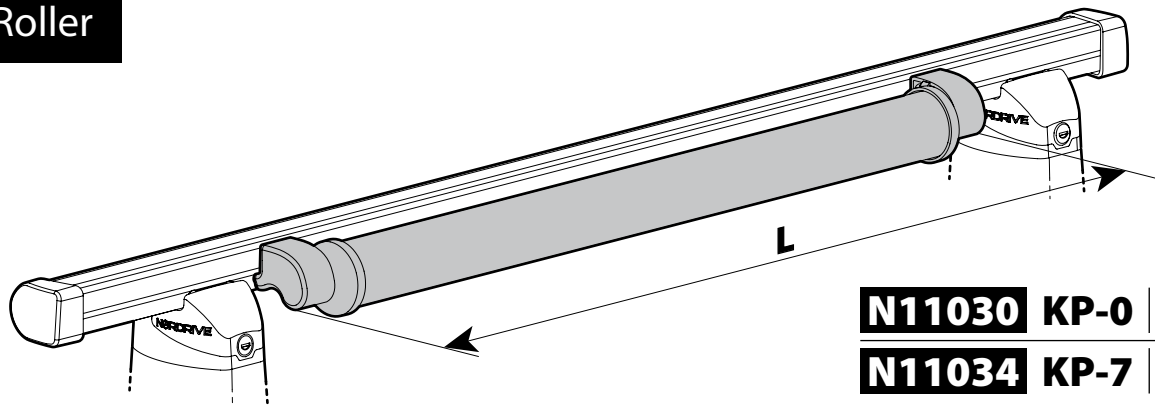
OPTIONALS PER / FOR / FÜR:

Kargo-Plus series



Alluminio / Aluminium

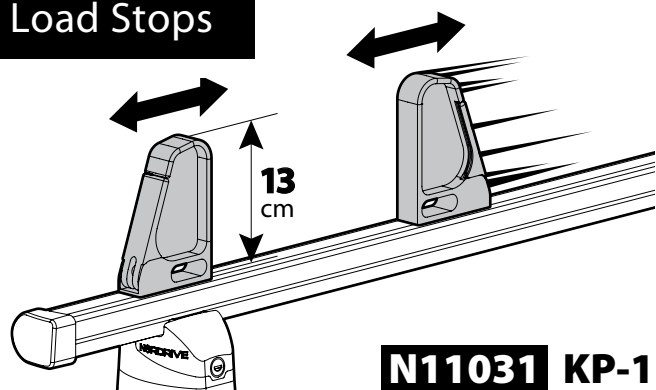
Kargo Roller



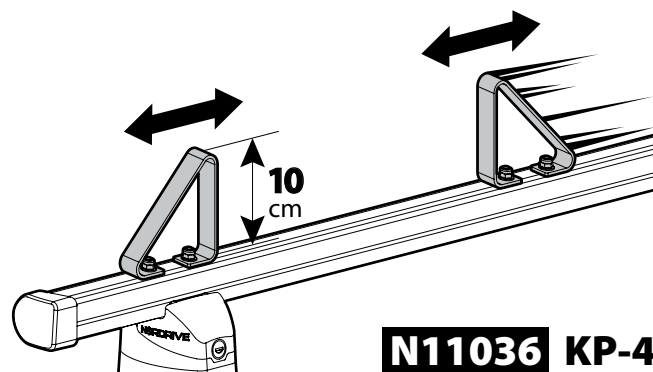
N11030 KP-0 | L = 64 cm

N11034 KP-7 | L = 96 cm

Load Stops

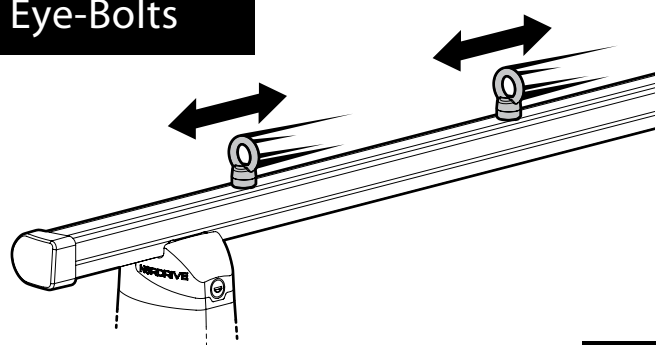


N11031 KP-1

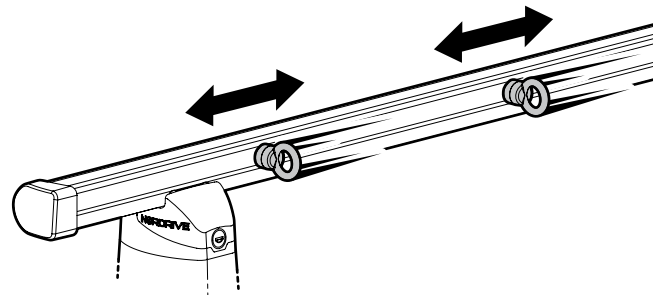


N11036 KP-4

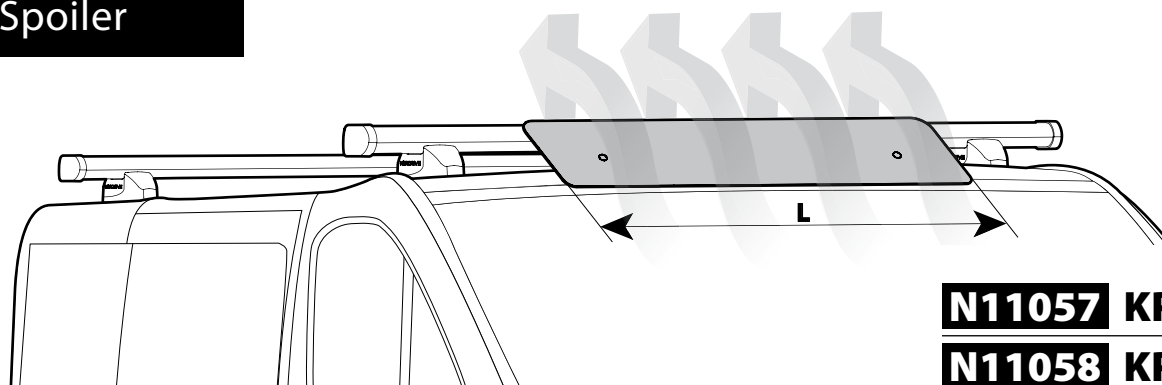
Eye-Bolts



N11033 KP-3



Spoiler

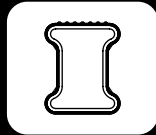


N11057 KP-9 | L = 95 cm

N11058 KP-11 | L = 110 cm

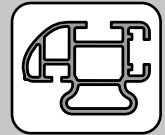
OPTIONALS PER / FOR / FÜR:

Kargo series



Acciaio / Steel

Kargo-Plus
series



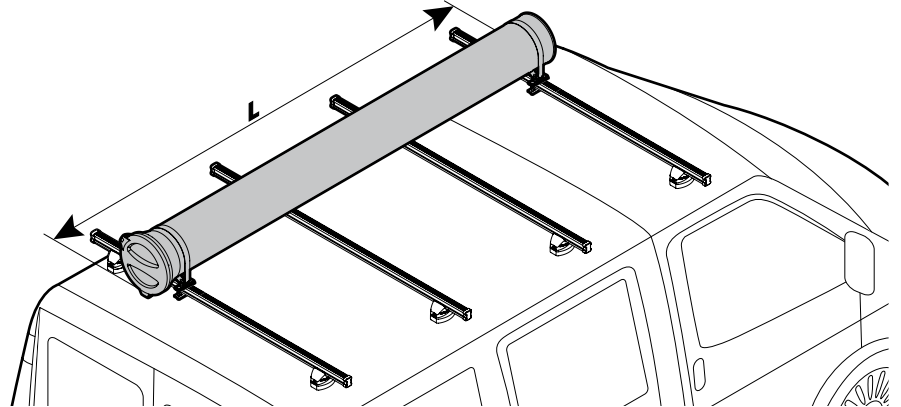
Alluminio / Aluminium

Kargo Tube

N11050 T200 | L = 205 cm

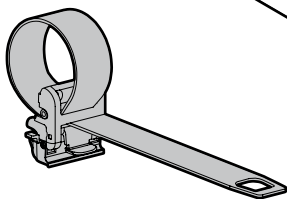
N11051 T300 | L = 305 cm

N11052 T400 | L = 405 cm

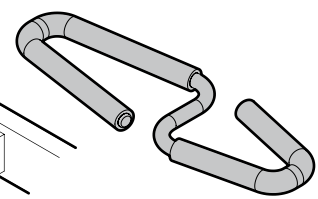
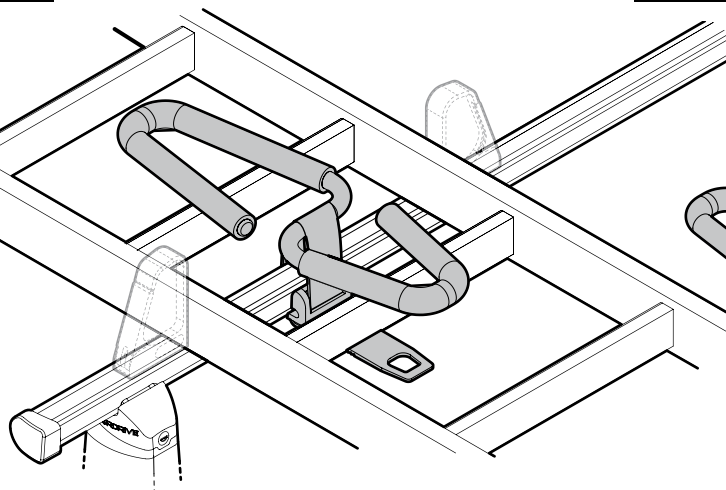


Ladder Holder Straps

Ladder Step Adapter



N11065 U-5

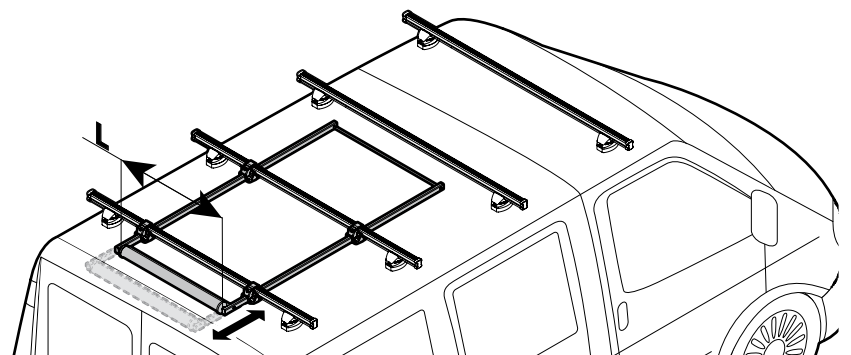


N11067 U-6

Extension Roller

N11020 U-0 | L = 64 cm

N11021 U-7 | L = 96 cm



- I** Lotto di produzione da comunicare per eventuali ricambi
- GB** Production lot number to be communicated for any spare parts
- F** Lot de production à communiquer pour toute pièce de rechange
- D** Produktionscharge für eventuelle Ersatzteile
- E** Lote de producción a comunicar por cualquier repuesto

Lot.

NORDRIVE[®]
TRANSPORT SOLUTIONS

NORDRIVE[®] is a registered trademark of
LAMPA S.p.A.
Via G. Rossa 53/55, 46019 Viadana (MN) ITALY
Tel. +39 0375 820700
UNI EN ISO 9001:2008 Certified Company
www.nordrive.it
www.lampa.it